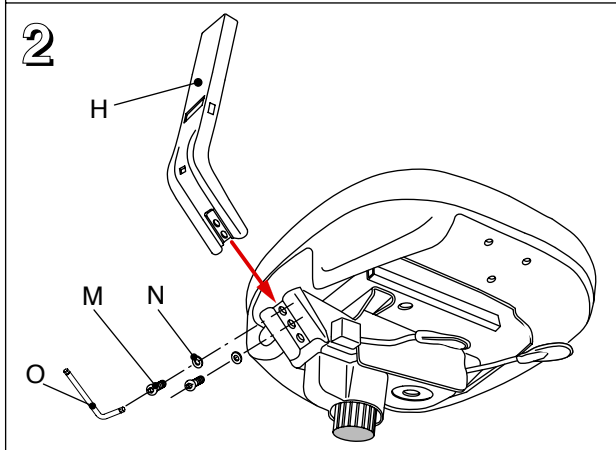
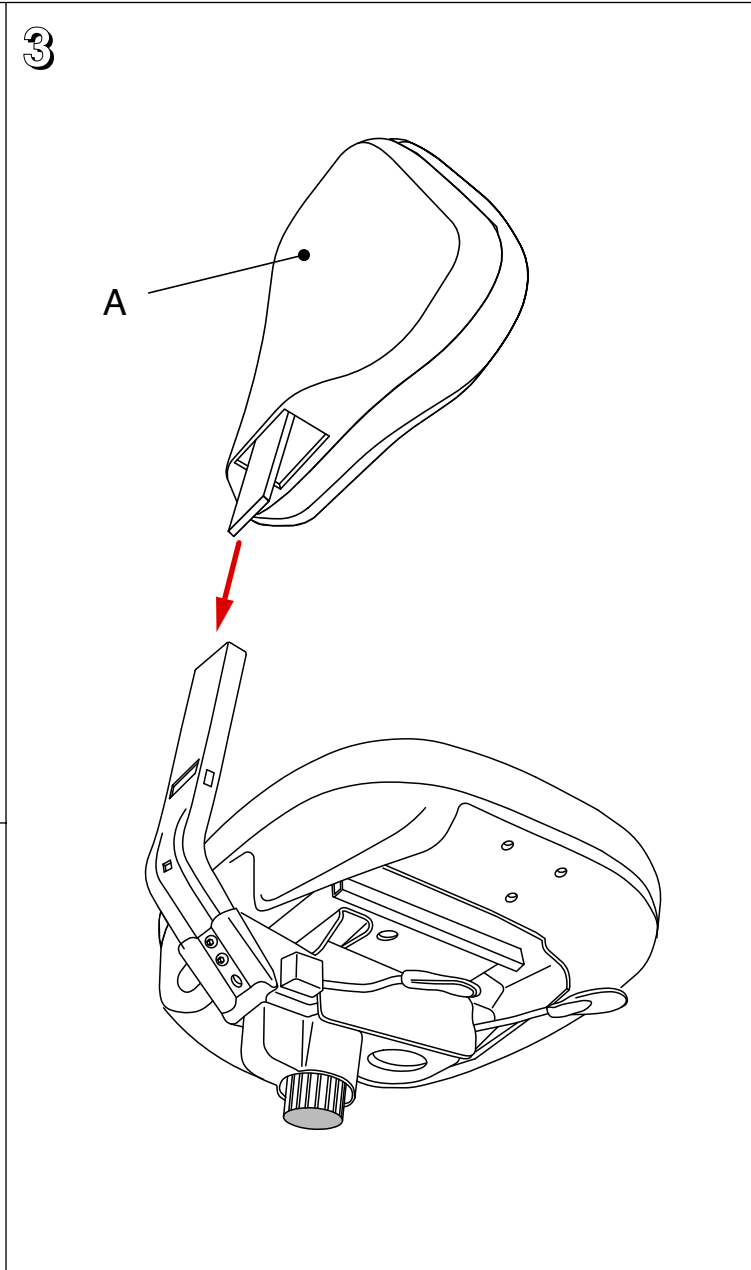
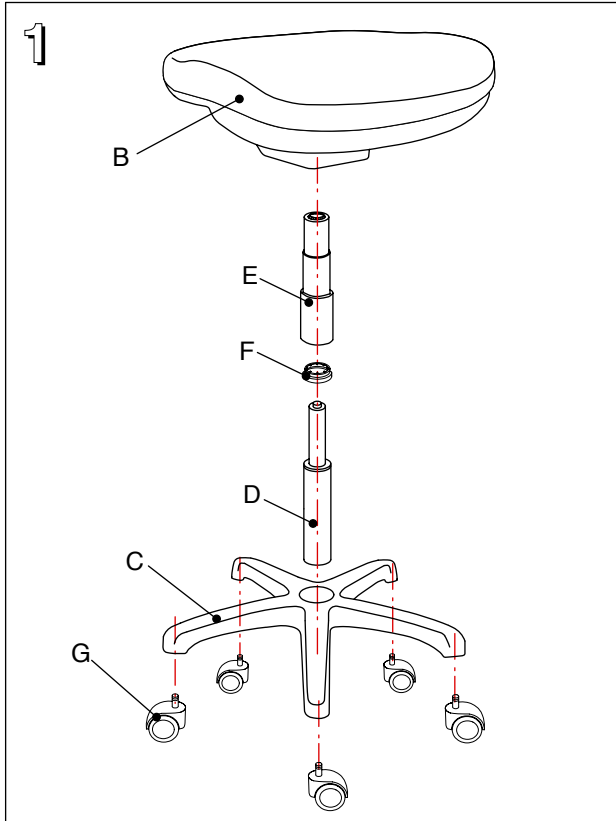




SYNCROTEK EXECUTIVE



A	B	C	D	E	F	G
x1	x1	x1	x1	x1	x1	x5
H	M	N	O	O	O	O
x1	x2	x2	x1	x1	x1	x2 OPTIONAL

Please do not throw away the packaging until you are completely satisfied with the chair. All returns must be made in original packaging.