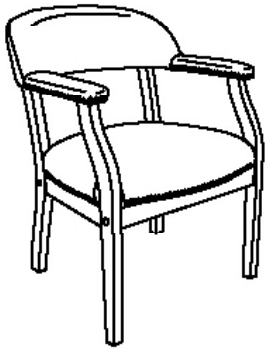
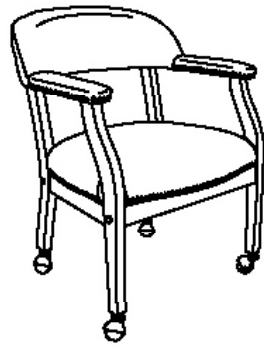


ASSEMBLY INSTRUCTIONS


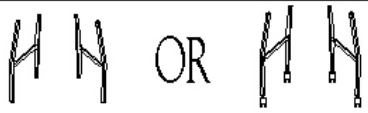
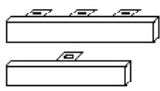

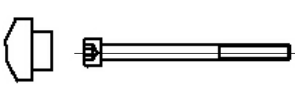
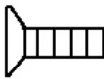
MODEL NO: CHESTERFIELD



B9540

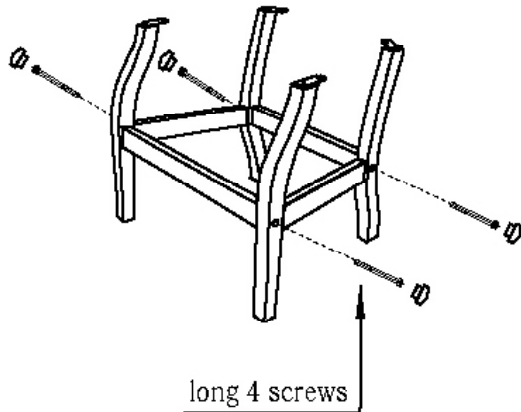


B9545

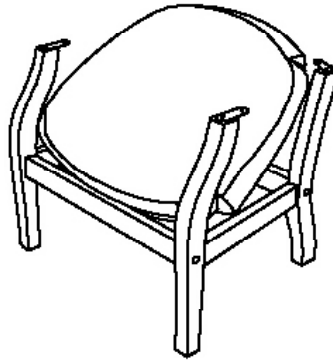
Parts List		QTY
	Back	1PC
	OR Frame	2PCS
	Long (Front) Short (Back)	2PCS
	Cushion	1PC
	Wood Cap Long screw	4SETS
	Short screw	8SETS

ⓘ Please unscrew all screws from cushion before assembly

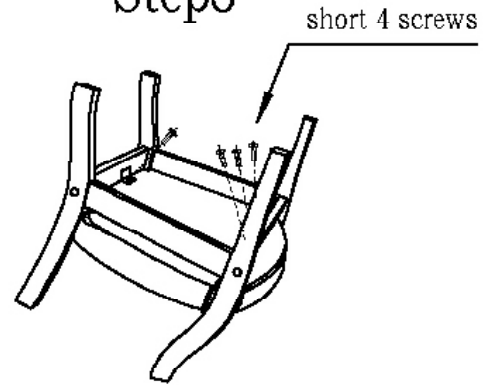
Step1



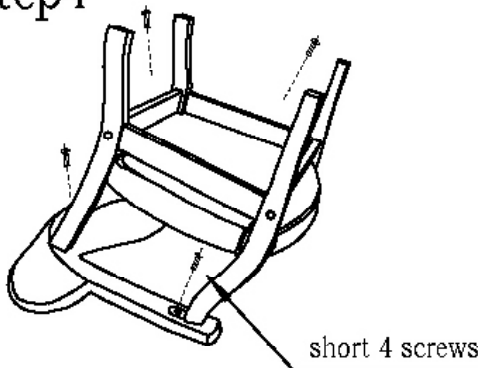
Step2



Step3



Step4



STEP1: Do not tighten screws leave loose until step2.
 STEP2: Place seat cushion inside frame, screw cushion in, then tighten frame (long screws) and seat (short screws).
 NOTE: Please make sure all screws are completely tightened. It is important to check and tighten all screws every two to three months, or as needed as they may loosen due to normal wear and tear.