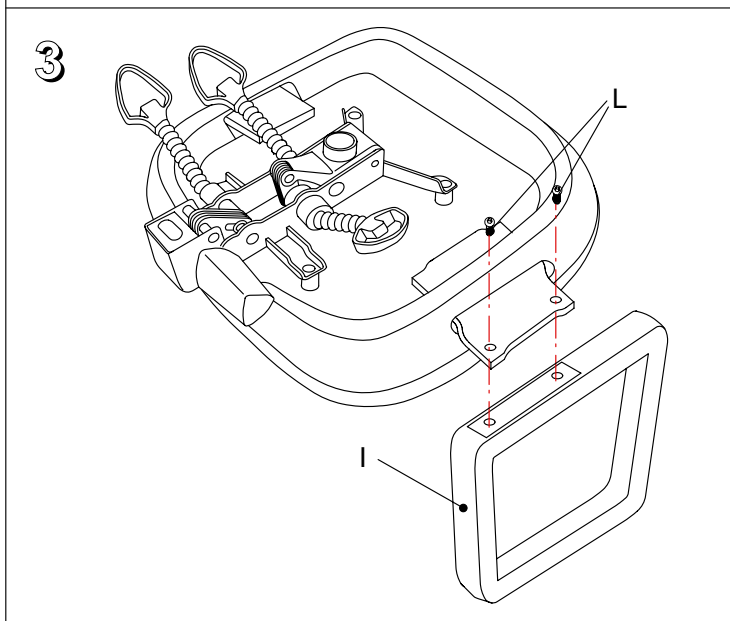
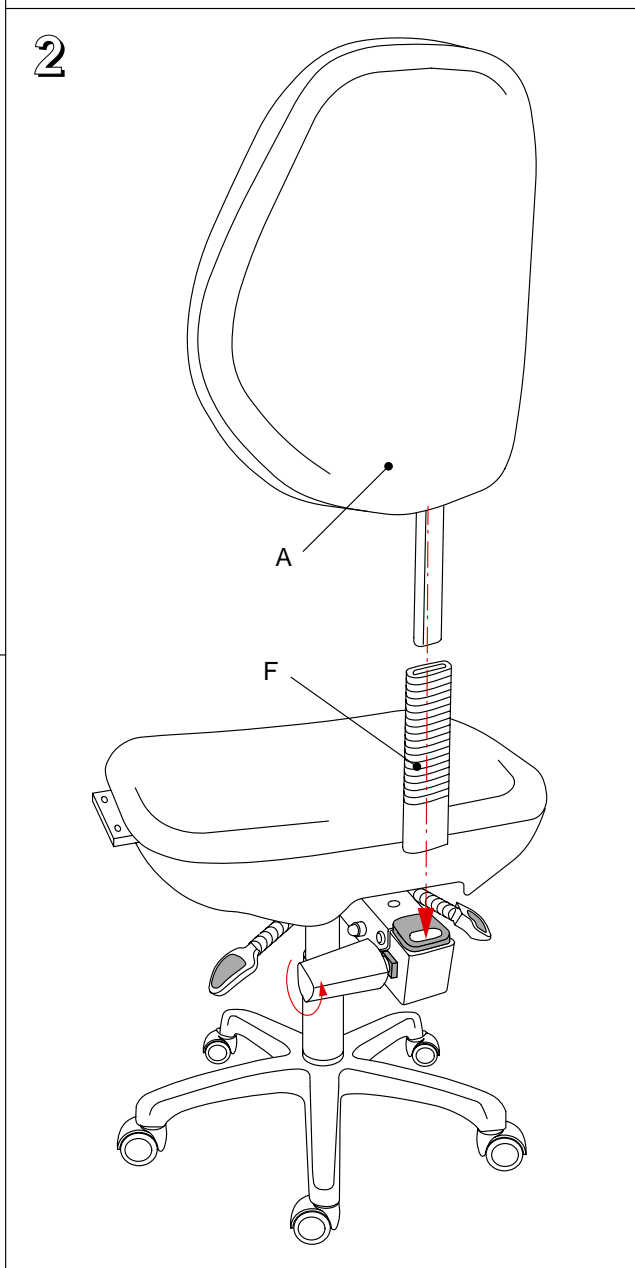
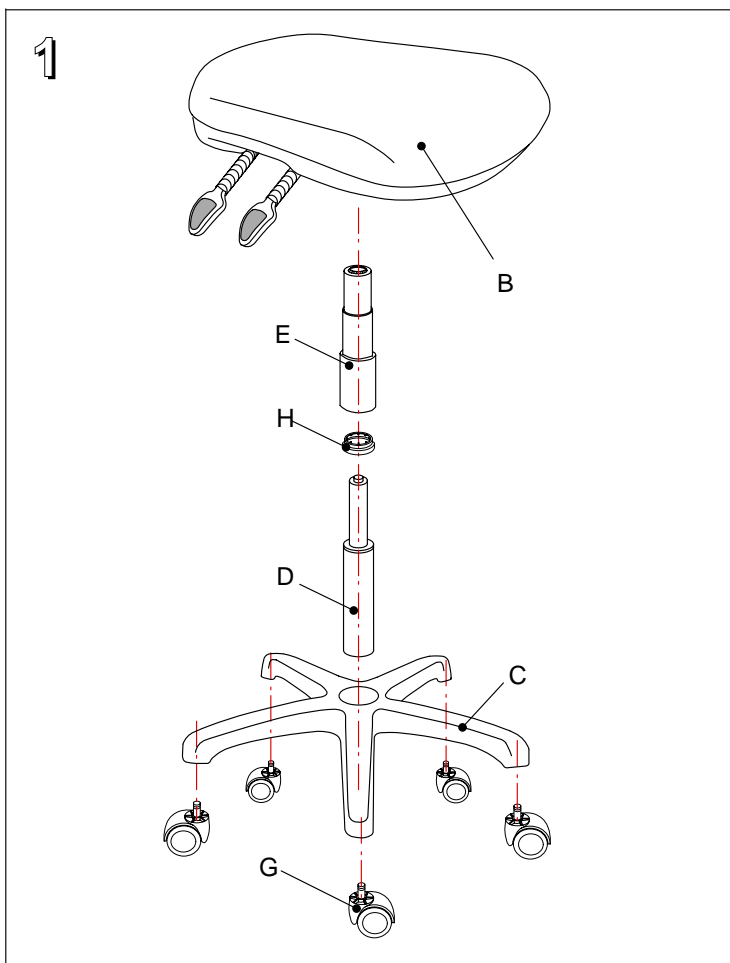




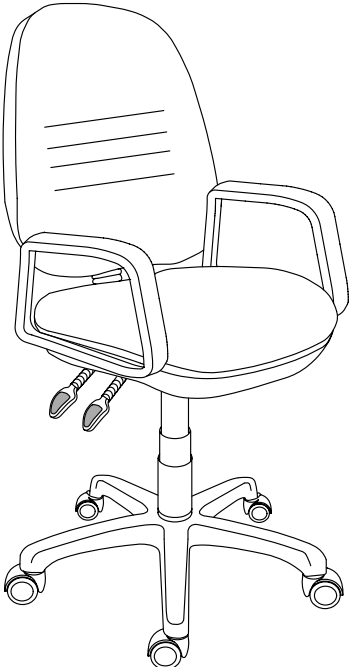
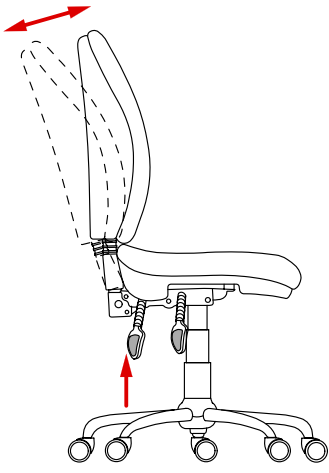
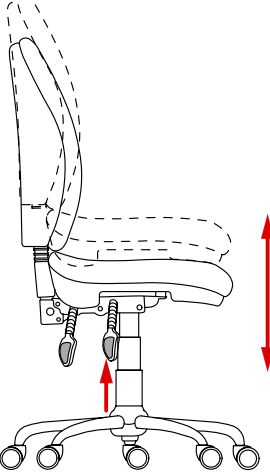
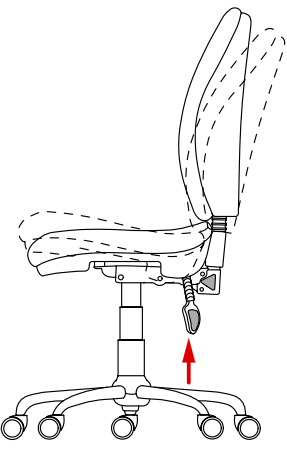
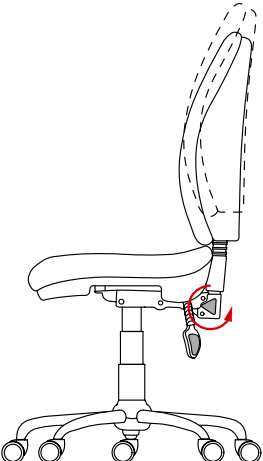
## CAPTAIN



A	B	C	D	E	F	G	H	I	L		
x1	x1	x1	x1	x1	x1	x5	x1	x2	x4		x1

Please do not throw away the packaging until you are completely satisfied with the chair.  
 All returns must be made in original packaging.

## CAPTAIN

	 <p>Inclinazione schienale        Neigung der Rücken        Inclination du dossier        Reclining of the back</p>	 <p>Altezza seduta        Höhenverstellung dem Sitz        R�glage hauteur du si�ge        Height adjustment of the seat</p>
 <p>Inclinazione sedile-schienale        Neigung der sitz-R�cken        Inclination du si�ge-dossier        Reclining of the seat-back</p>	 <p>Altezza schienale        H�henverstellung der R�cken        R�glage hauteur du dossier        Height adjustment of the back</p>	