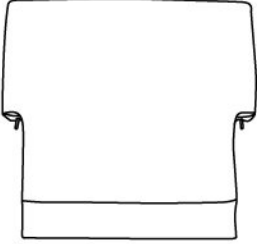

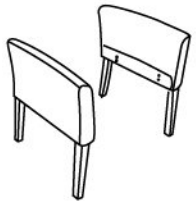
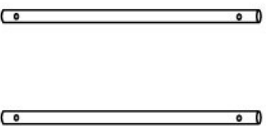




<p>(1)x1</p>  <p>TU616-B/Back Cushion</p>	<p>(2)x1</p>  <p>TU616-S/Seat Cushion</p>
<p>(3)x1 (L)x1 (R)</p>  <p>TU619-LF/B619 Left Frame TU619-RF/B619 Right Frame</p>	<p>(4)x1</p>  <p>TU619-CB / Connecting Bar</p>
<p>Hardware comes pre-screwed into slots</p> <p>(A)x2  M6*30</p> <p>(B)x4  M6*36</p>	

It is important to assemble all parts so that the directional "Arrows" point in the same direction. Make certain that all screws are FULLY tightened before using the chair. For optimum use, maintenance for the chair is required. Each month, please check all screws and tighten any that may have loosened.

62 BEACONSFIELD STREET BEDFORD M K41 7SD
TEL: 01234 328804 FAX: 01234 342446

If you encounter any problems with the operation of your chair, please refer to the downloads section of our web site - www.teknikoffice.co.uk

