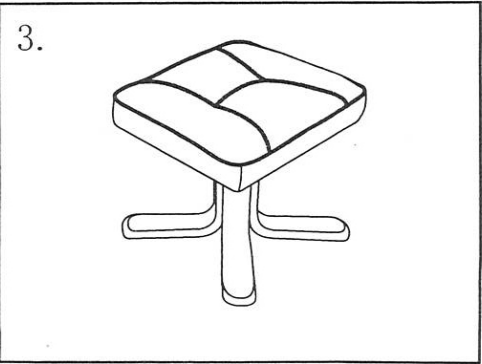
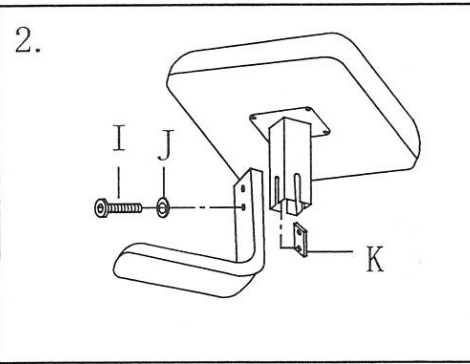
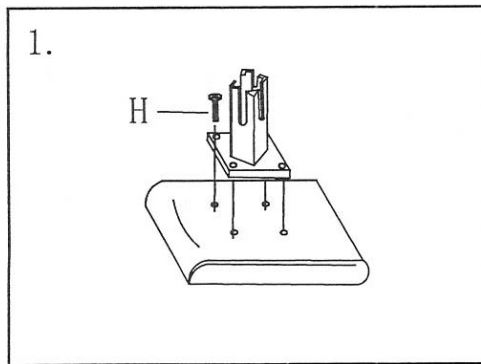
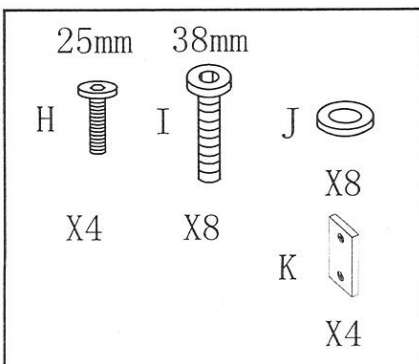
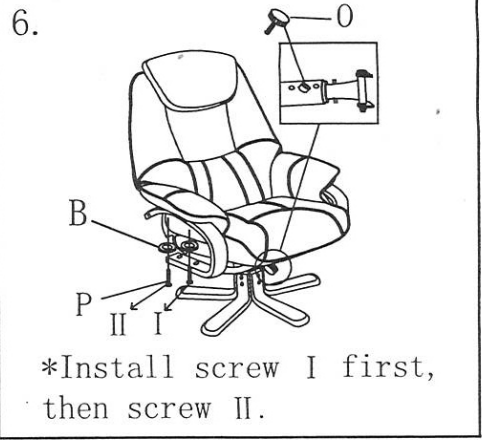
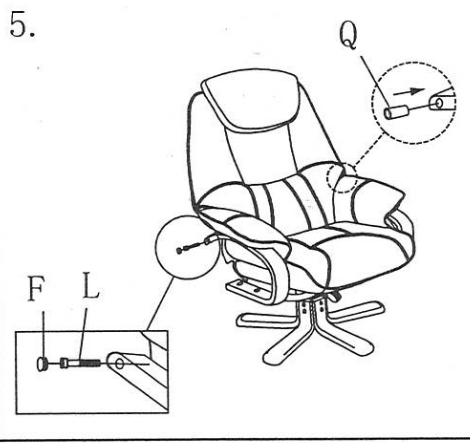
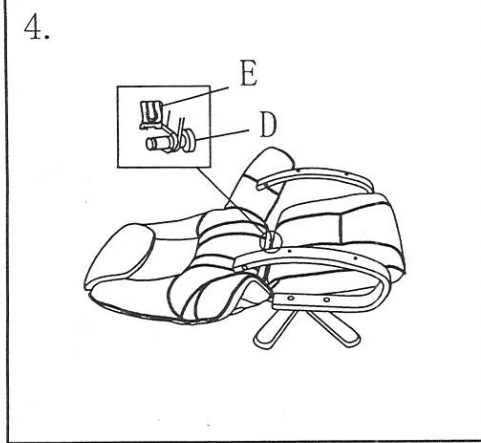
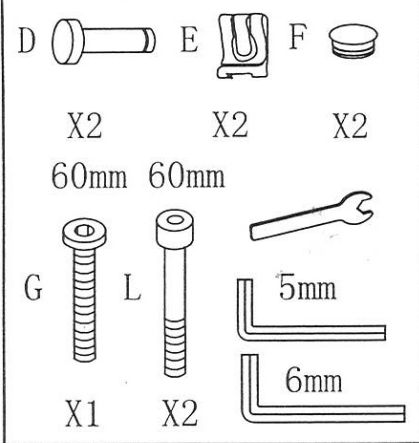
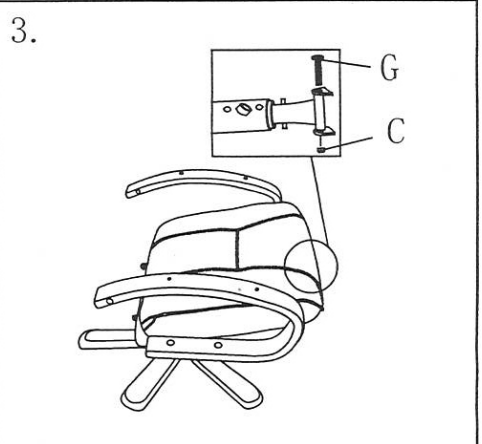
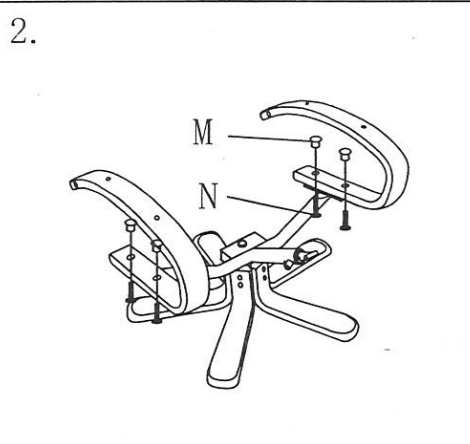
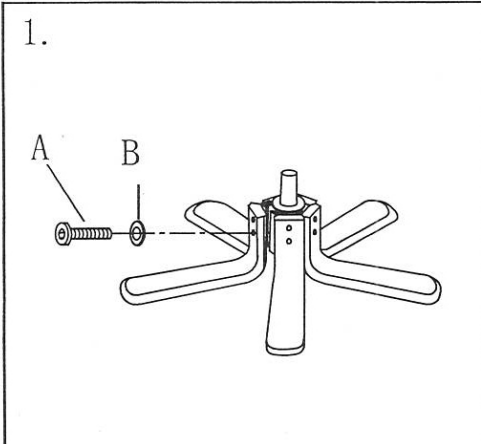
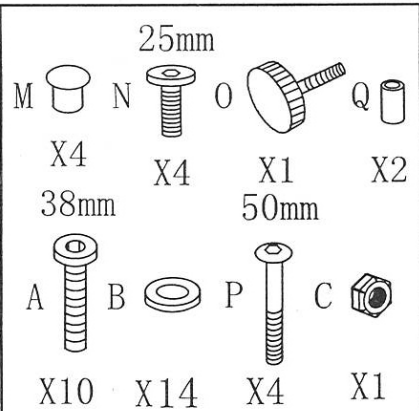


ASSEMBLY INSTRUCTIONS



N.B. The fittings for our recliner chairs should be tightened every 3 months, using the Allen key provided in the assembly pack.