


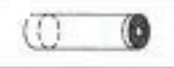
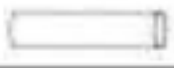







## Crystal Glass Workstation

NO	PARTS	QTY	NO	PARTS	QTY
A		4	E		2
			F		2
			H		2
			I		2
			J		8
			K		1
B		1			
C		1			
D		4			

STEP	Diagram Description
STEP 1	Assembly of four vertical legs (A*4) onto the base plate (B*1). Includes callouts for J*4 and D*4.
STEP 2	Attachment of the top plate (C*1) to the legs. Includes callouts for F*2, H*2, I*2, and J*2.
STEP 3	Final assembly showing the addition of caps (E*2) and a key (K*1) to the top plate.
STEP 4	Final workstation assembly including the top plate (C), base plate (B), and horizontal bars (D) attached to the legs.

Important: Position your desk prior to any equipment being loaded on - do not attempt to move your desk once computer etc are in place.