

TEKNIK OFFICE LTD.

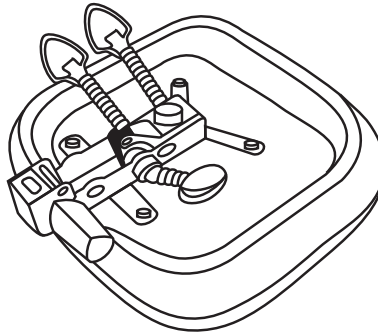
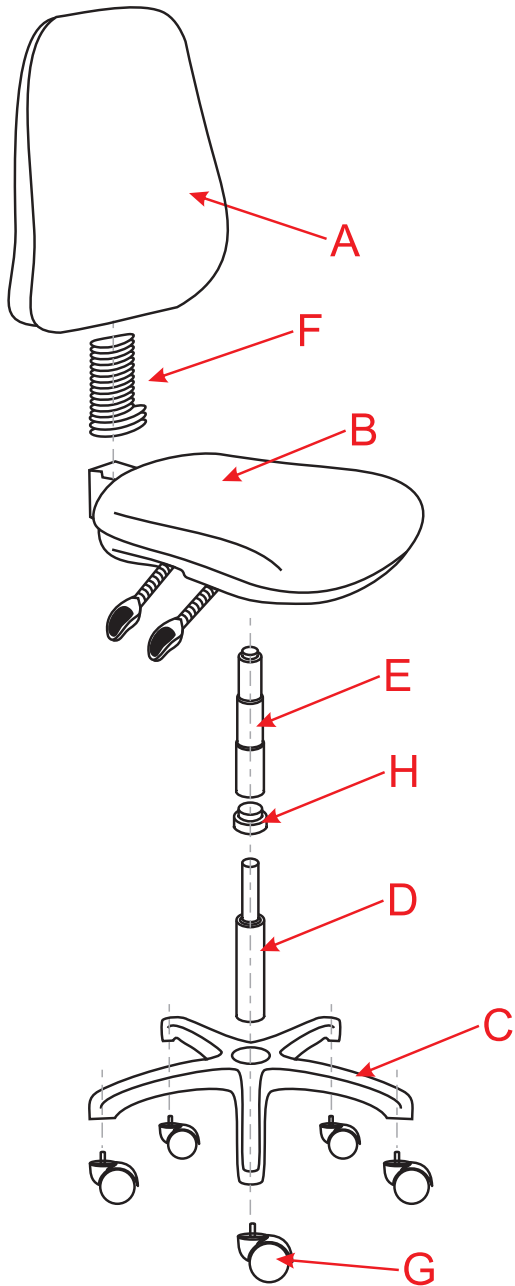
Phone: 01234 328804

Fax: 01234 342446

E-mail: CustomerService@teknikoffice.co.uk

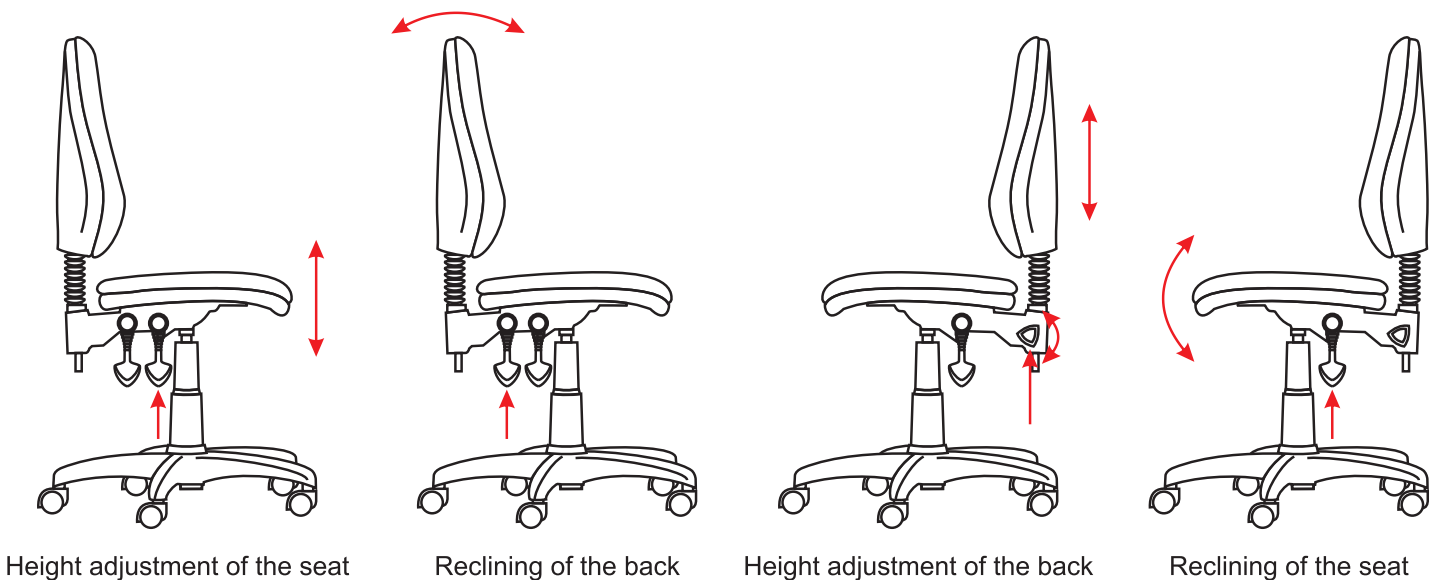
ASSEMBLY INSTRUCTION

**ERGO TRIO
THREE LEVER**



A	x1	B	x1	C	x1
D	x1	E	x1	F	x1
G	x5	H	x1		

OPERATING INSTRUCTION



Height adjustment of the seat

Reclining of the back

Height adjustment of the back

Reclining of the seat