


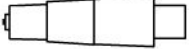

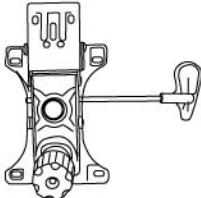


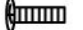


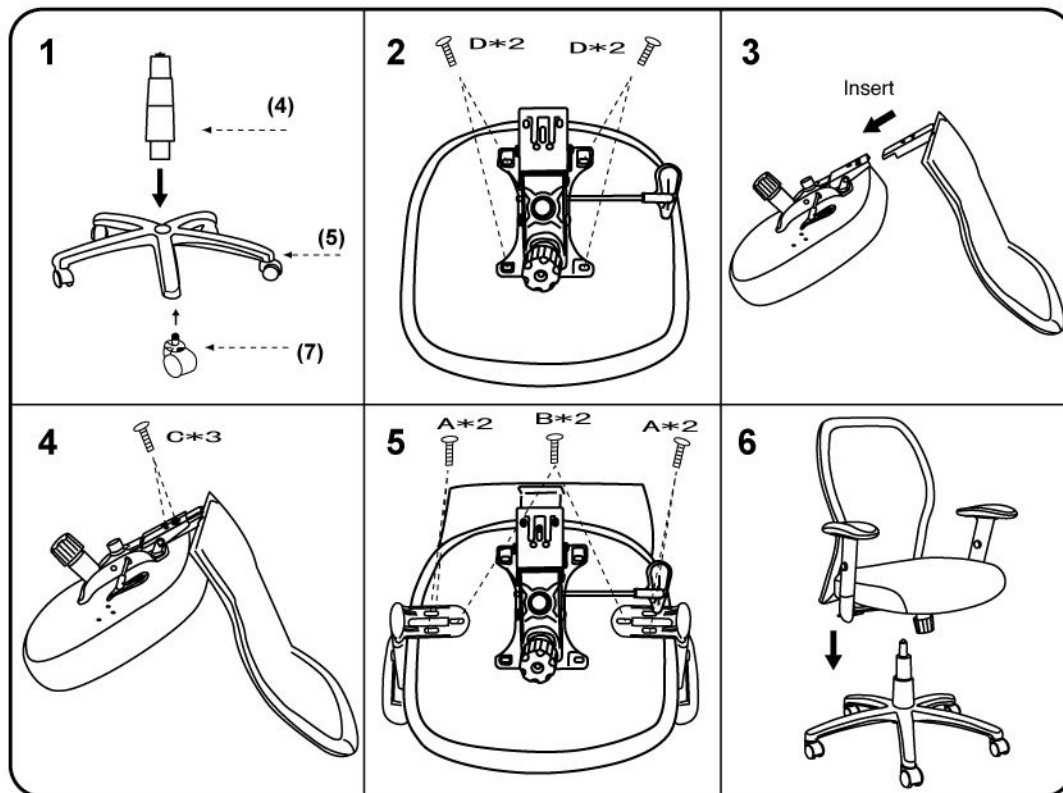


(1)x1  Back Cushion	(2)x1  Seat Cushion	(3)x1 (L)x1 (R)  Left-Arm-L Right-Arm-R
(4)x1  TU026 Gas Lift W/ Cover	(5)x1  TU005 Nylon Base	(6)x1  Mechanism
(7)x5  TU015 Caster	Please unscrew all screws from cushion before assembly.	
(A)x4  M6*36 ARM SCREW	(B)x2  M6*30 ARM SCREW	(C)x3  M8*22 L-bar Screw
(D)x4  M8*22 MECHANISM SCREW		



It is important to assemble all parts so that the directional "Arrows" point in the same direction. Make certain that all screws are **FULLY** tightened before using the chair. For optimum use, maintenance for the chair is required. Every month, please check all screws and tighten any that may have loosened.

