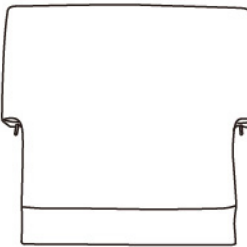

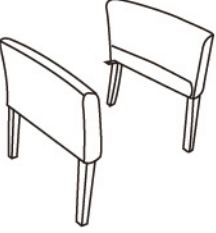
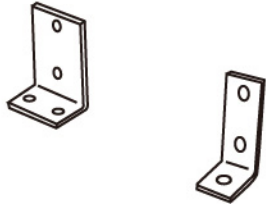




MODEL : YORK 629

**IMPORTANT NOTICE:**  
**HARDWARE PACKAGE IS ATTACHED ON THE**  
**BOTTOM OF SEAT CUSHION.**

<p>(1)X1</p>  <p>Back</p>	<p>(2)X1</p>  <p>Seat</p>
<p>(3)X1 (L)x1 (R)</p>  <p>Left &amp; Right Frame</p>	<p>(4)X2</p> 
<p>(B)x10            M6*22</p> <p>(C)x1        </p>	

**Insert and loosely tighten all screws. When assembly is completed, fully tighten all screws before using. This chair is only intended for sitting. Any other use will void the warranty.**

Teknik Office Ltd, West One 63-67 Bromham Road,  
 Bedford, MK40 2FG  
 TEL:01234 328804 FAX:01234 342446  
 If you encounter any problems with the operation of  
 your chair, please refer to the downloads section of  
 our web site - [www.teknikoffice.co.uk](http://www.teknikoffice.co.uk)

