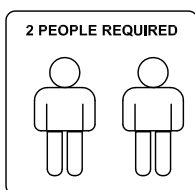
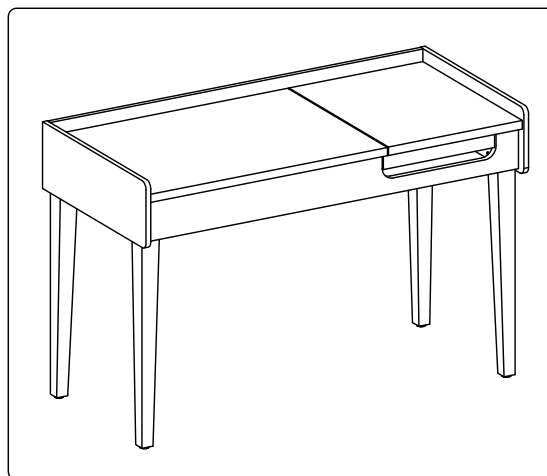
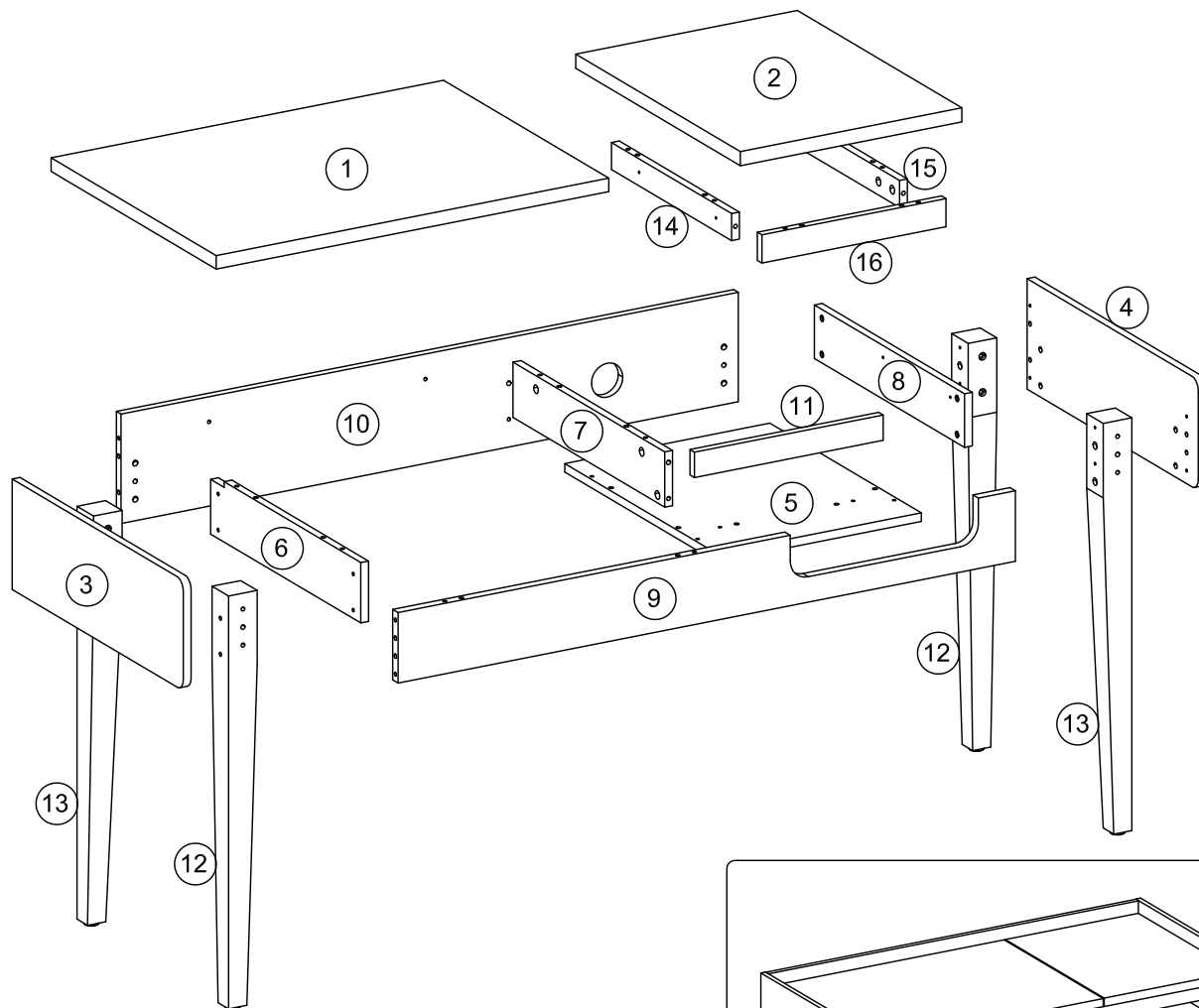



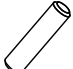






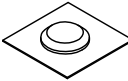





# Teknik

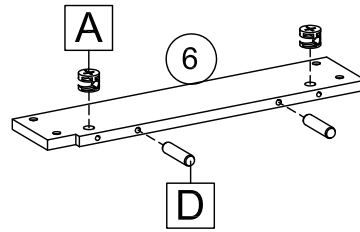
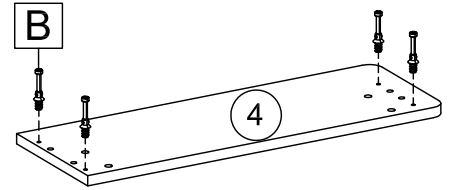
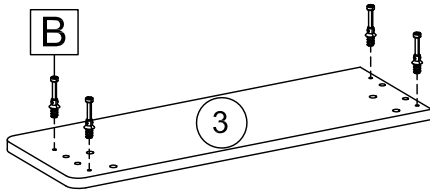
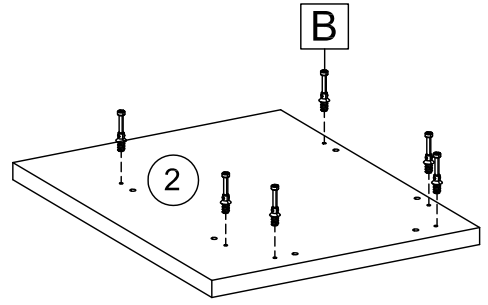
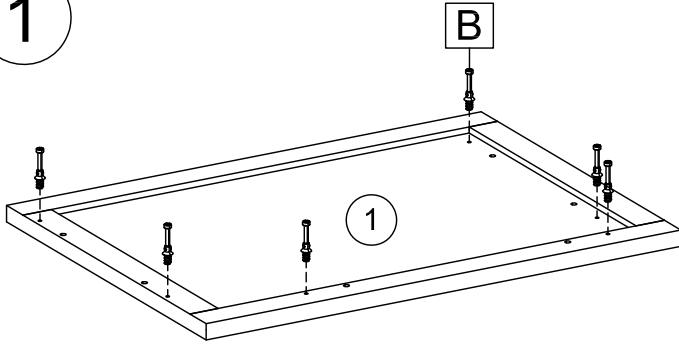
## GIRU DESK SONOMA OAK EFFECT WITH WHITE ACCENTS



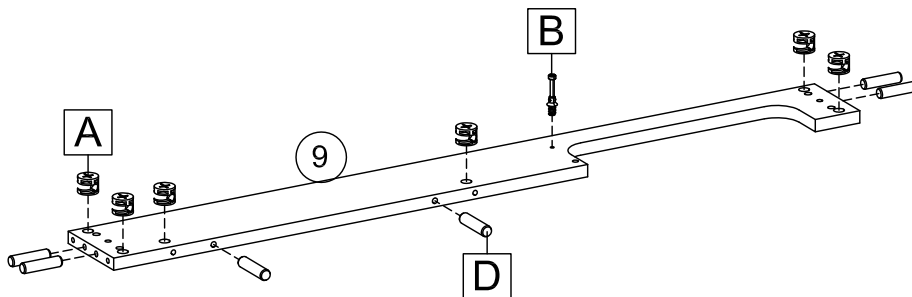
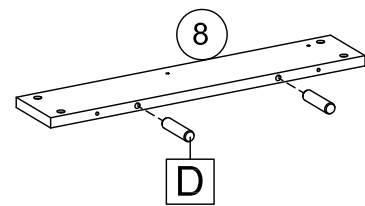
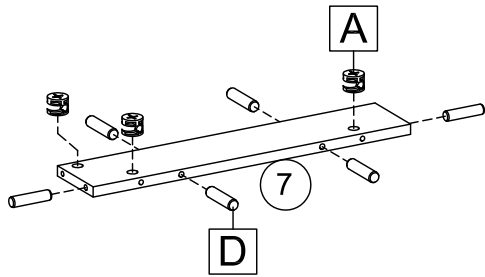
### SPARE PART

A  23X	B  23X	C OAK  15X	D  32X	E  8X	F  1set	G  17X	H  16X
I  1X	J  1X	K  2X	L WHITE  2X	M  2X	N  2X		

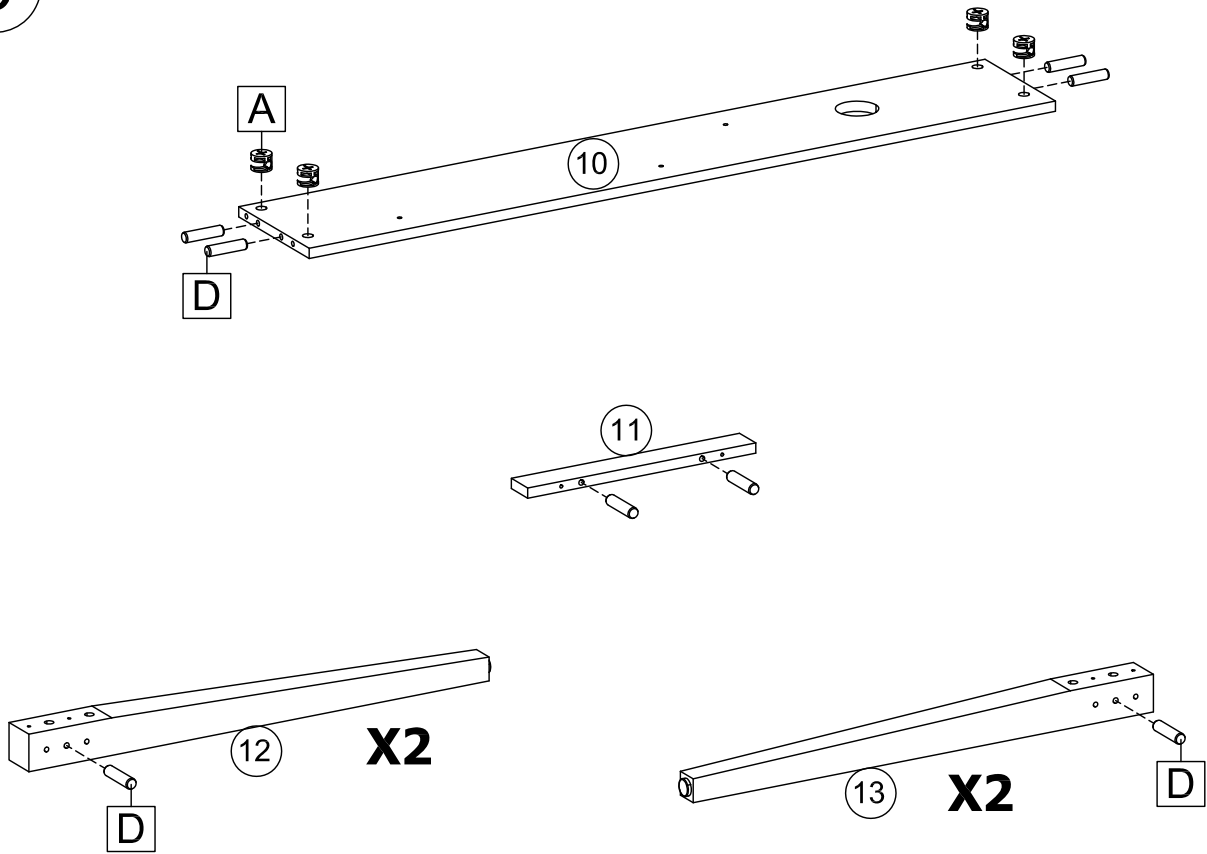
1



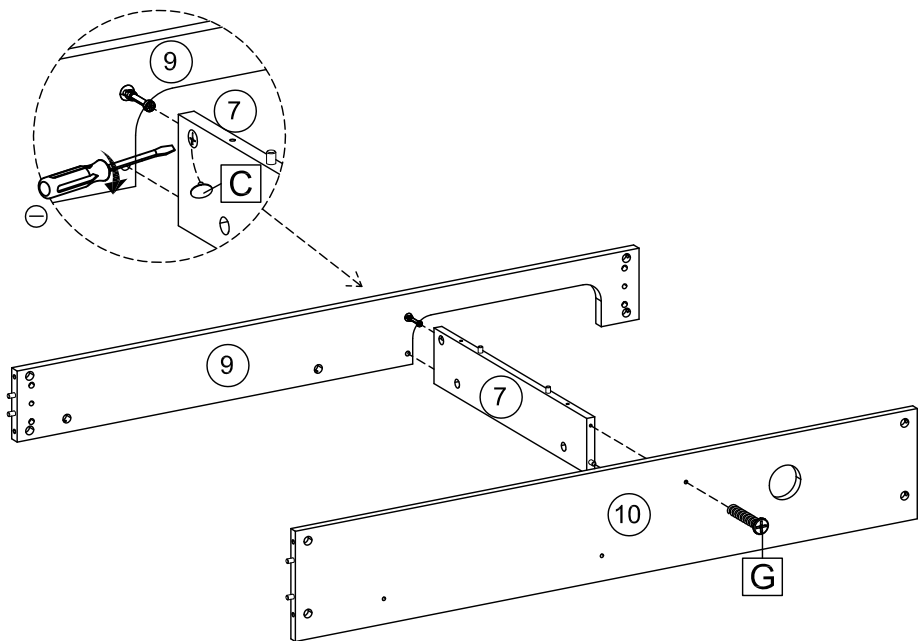
2



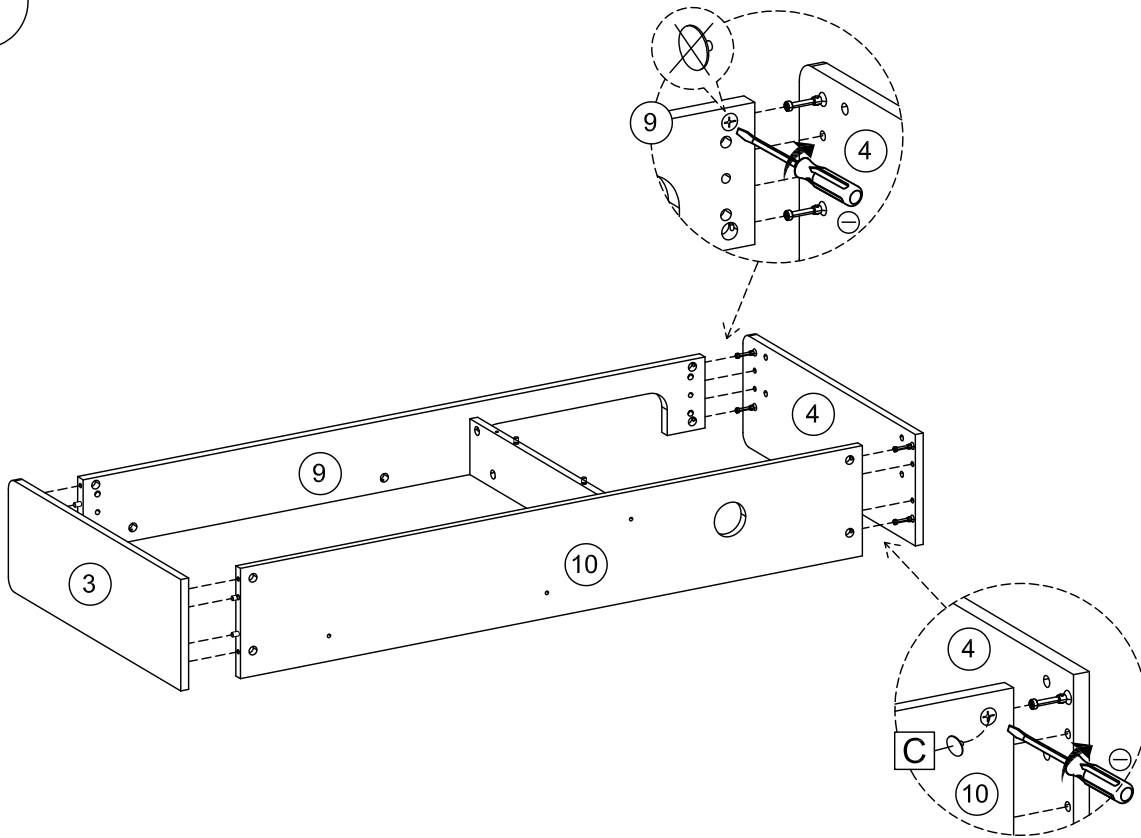
3



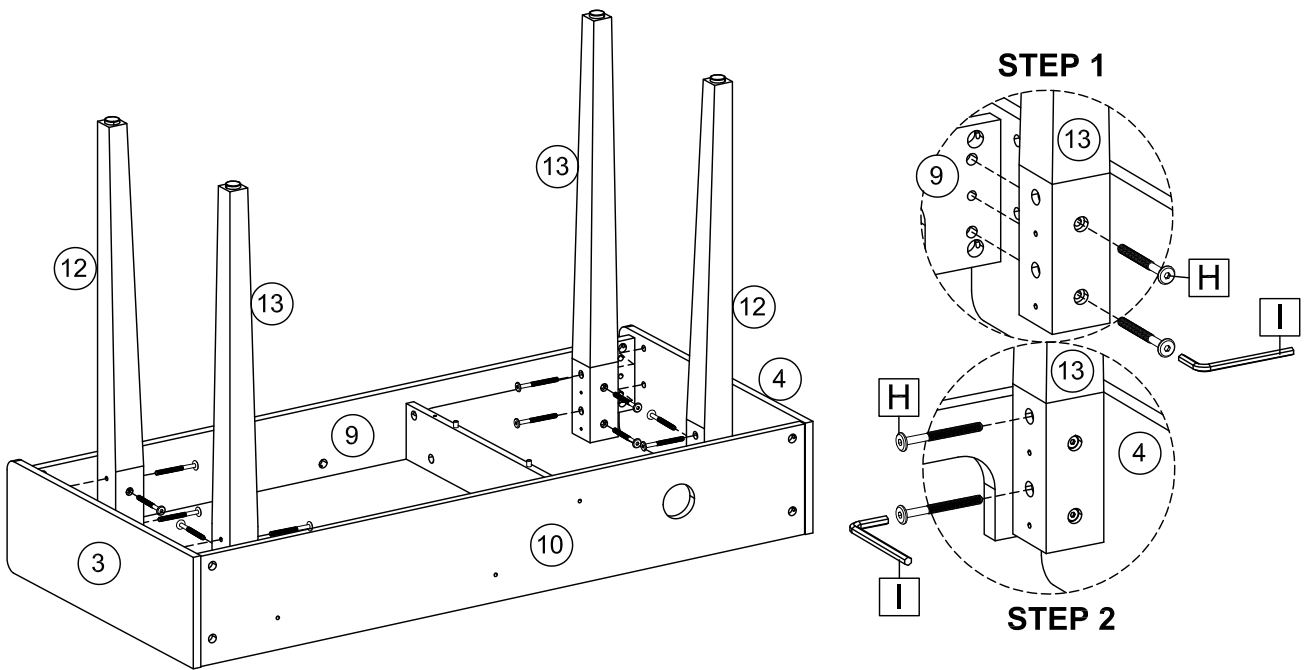
4



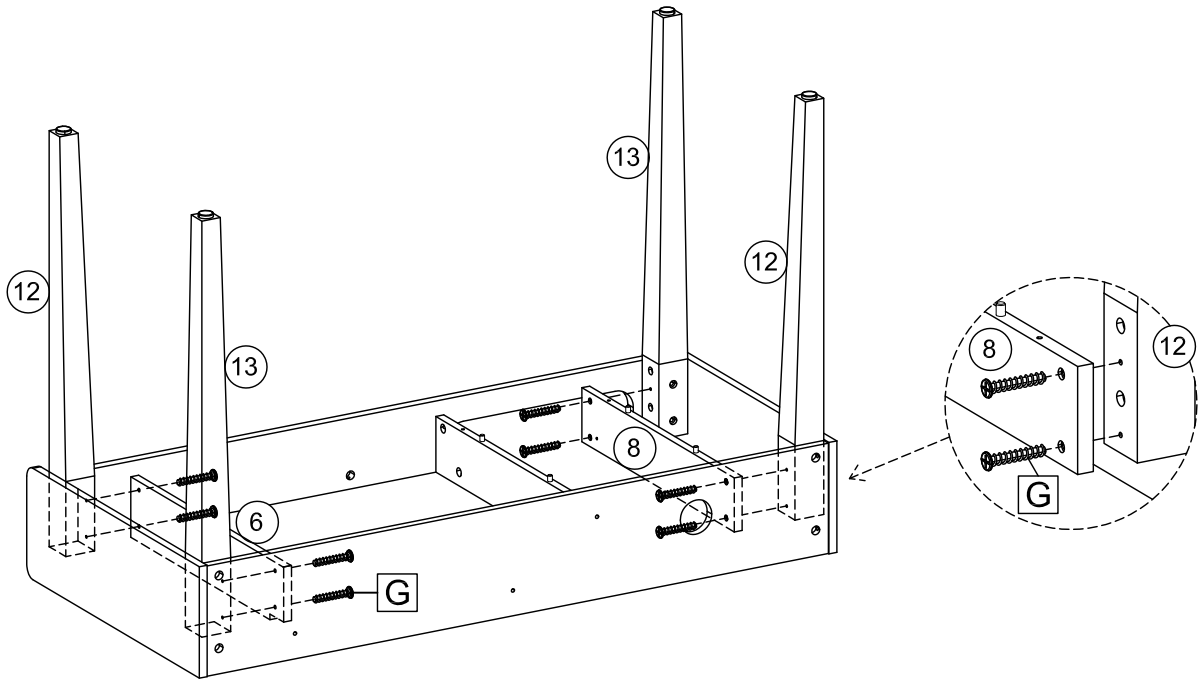
5



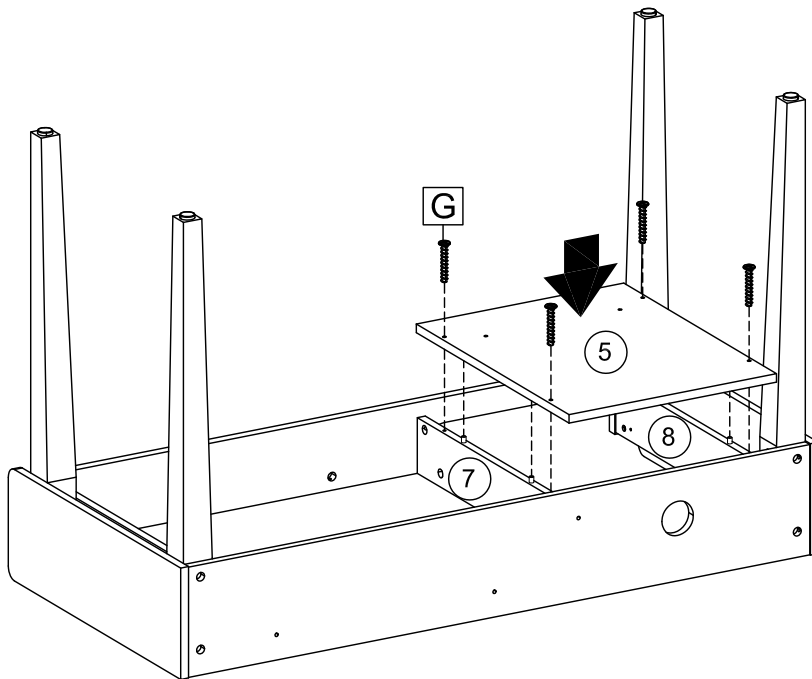
6



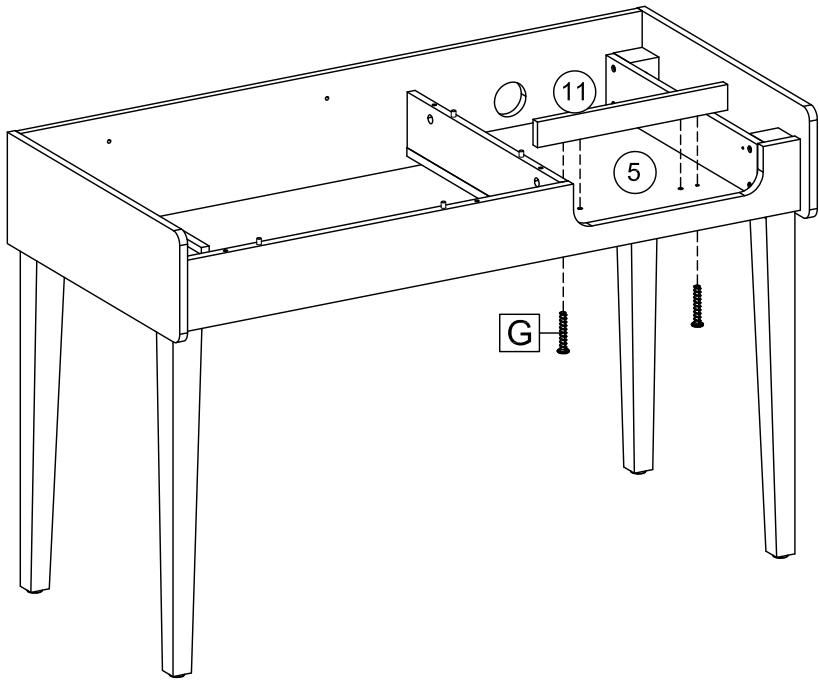
7



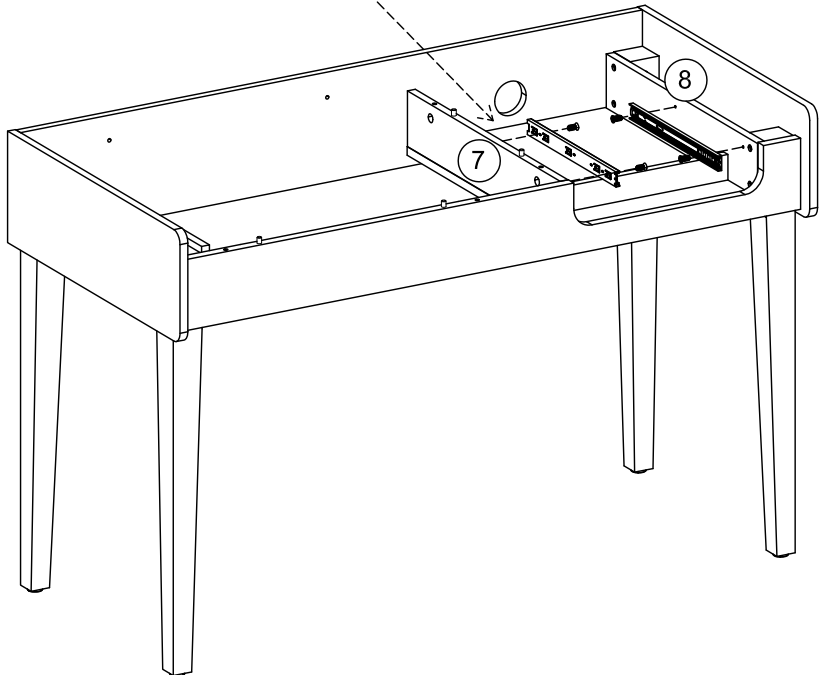
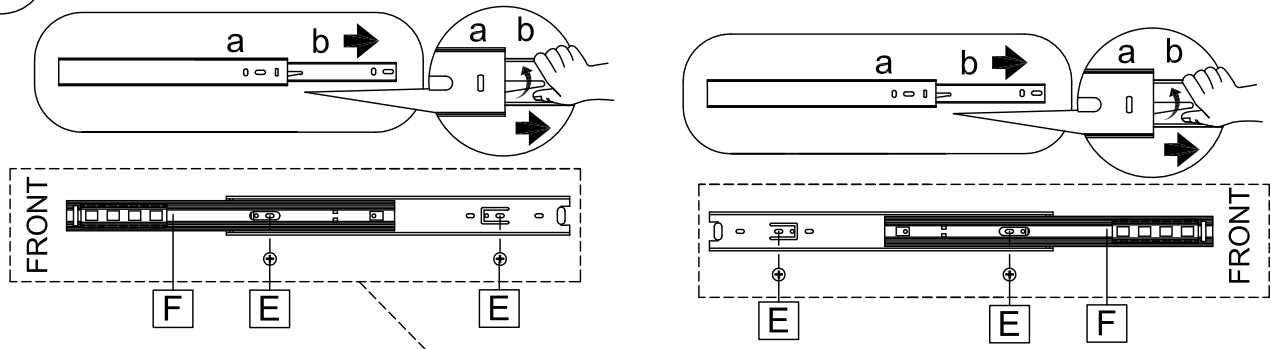
8



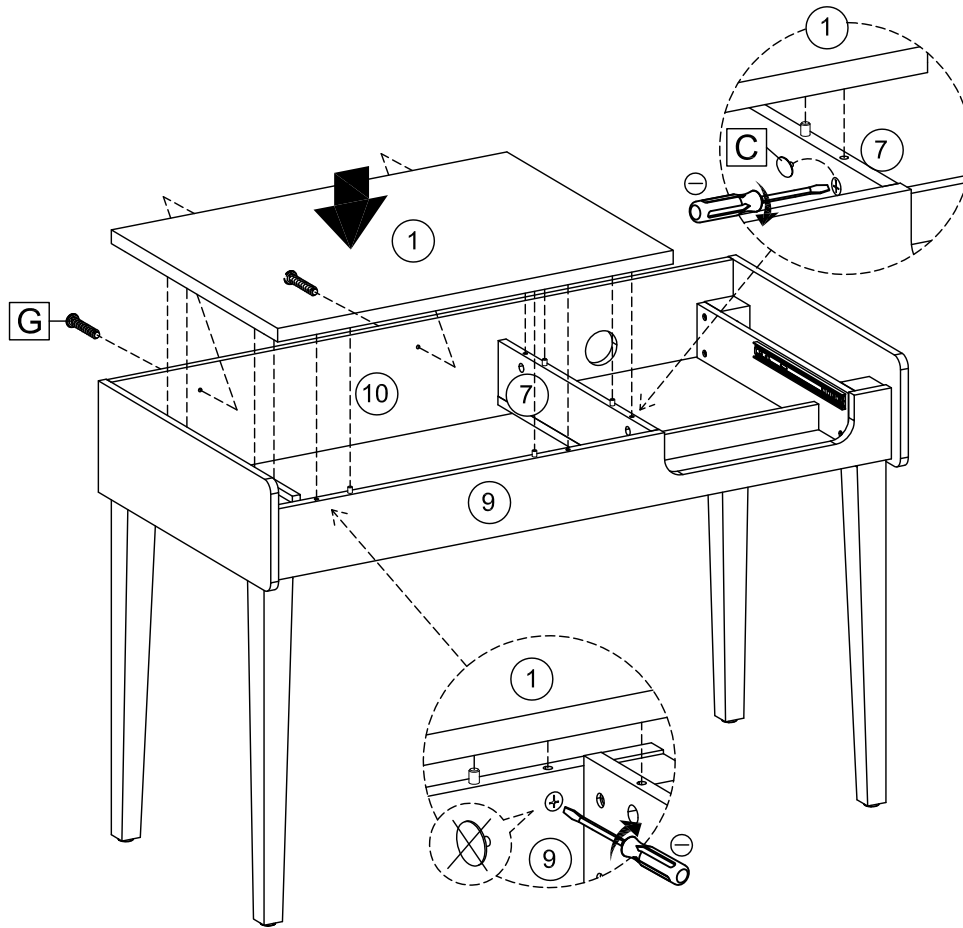
9



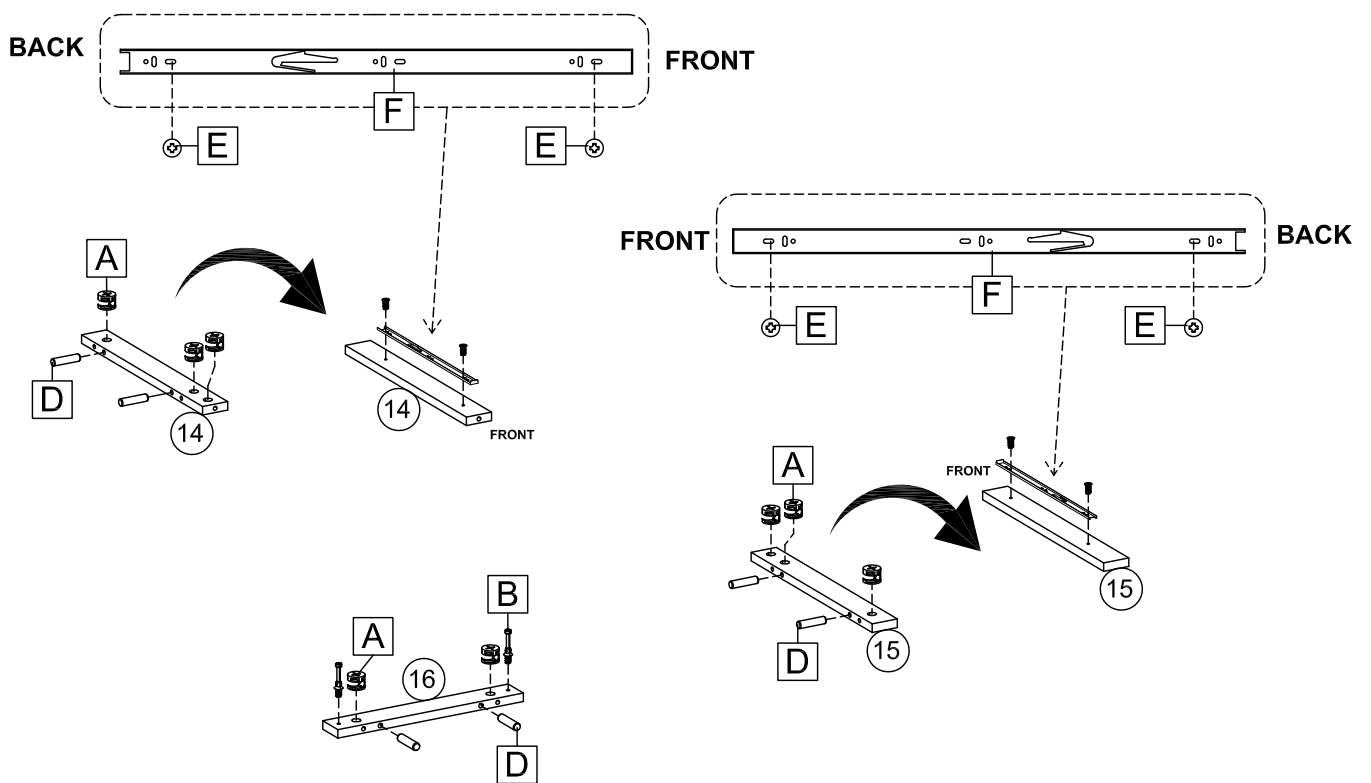
10



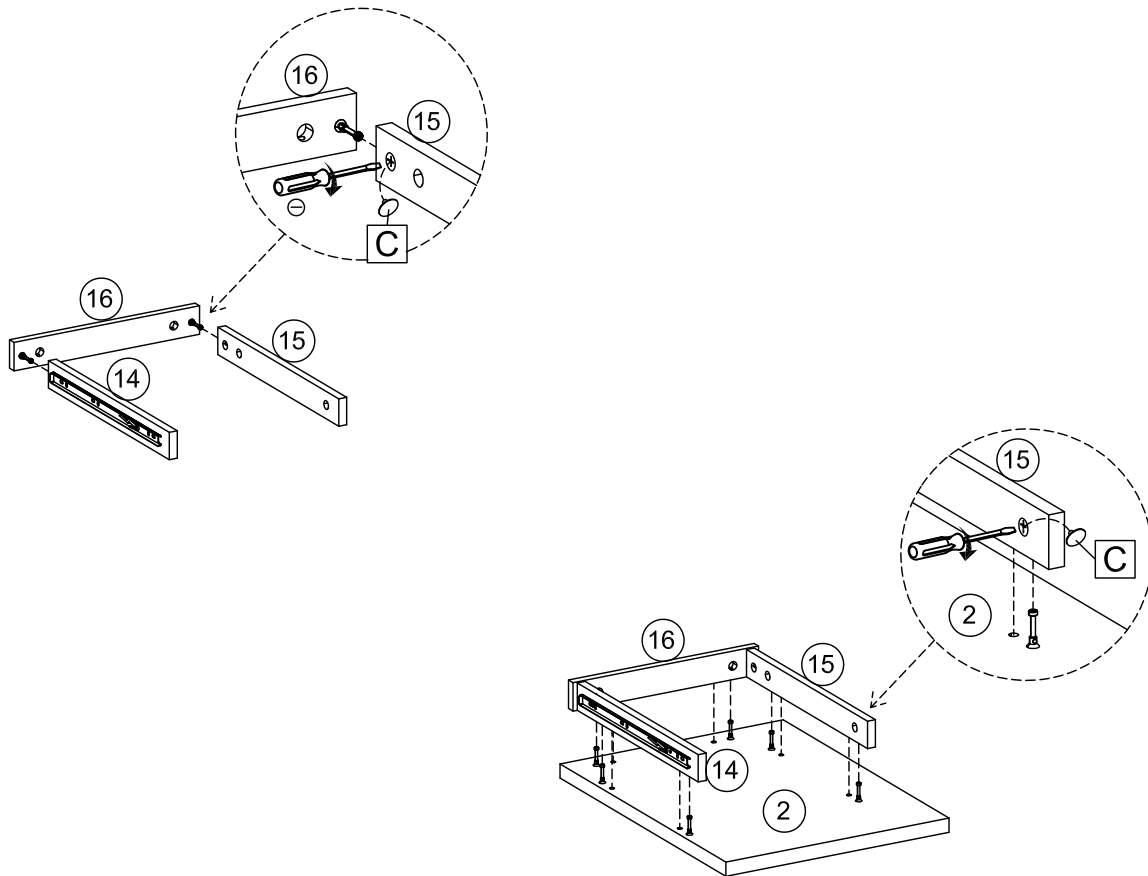
11



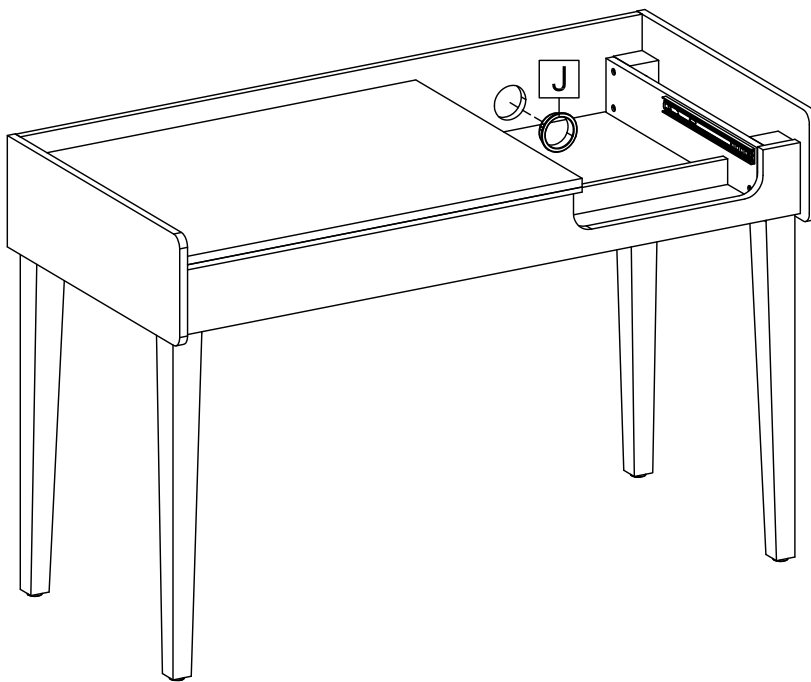
12



13

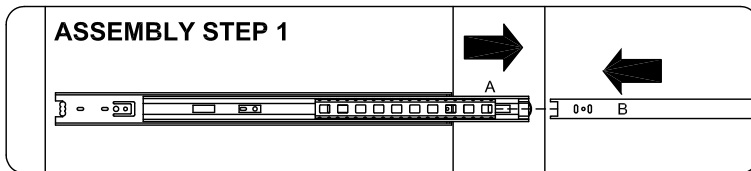
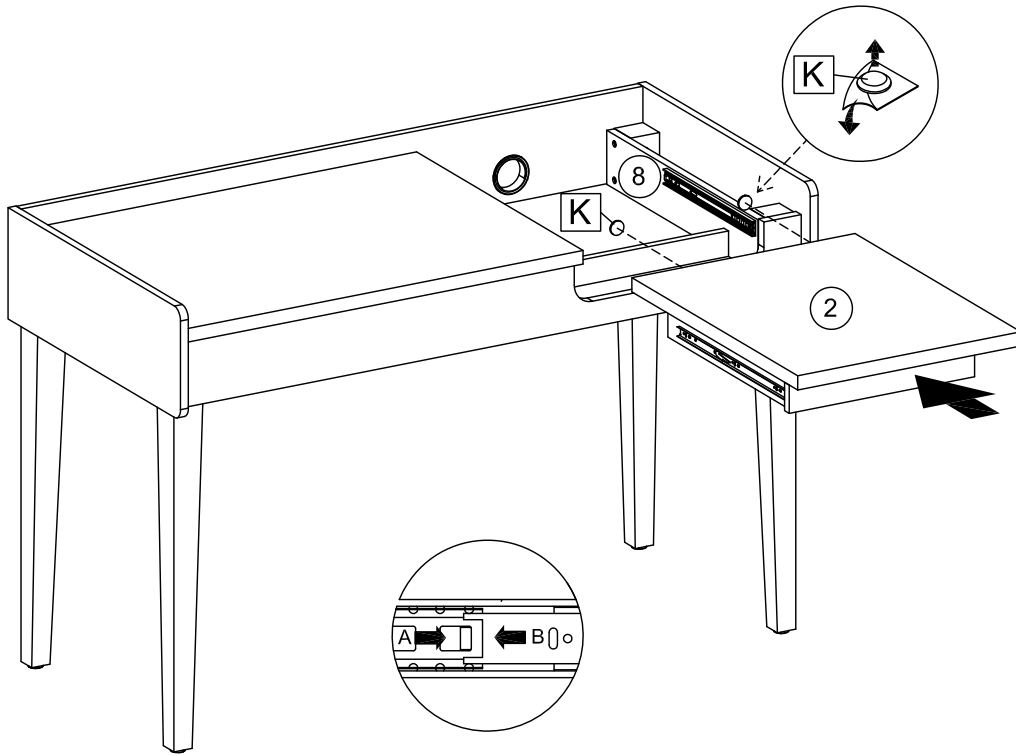


14

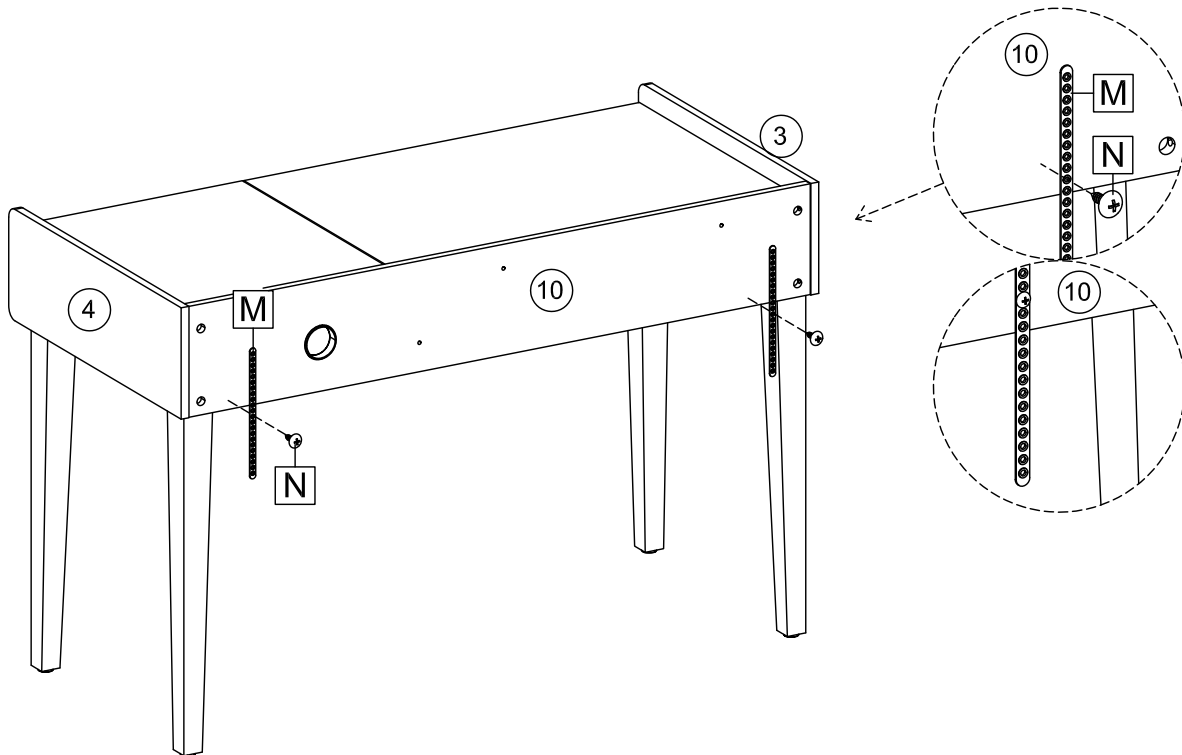




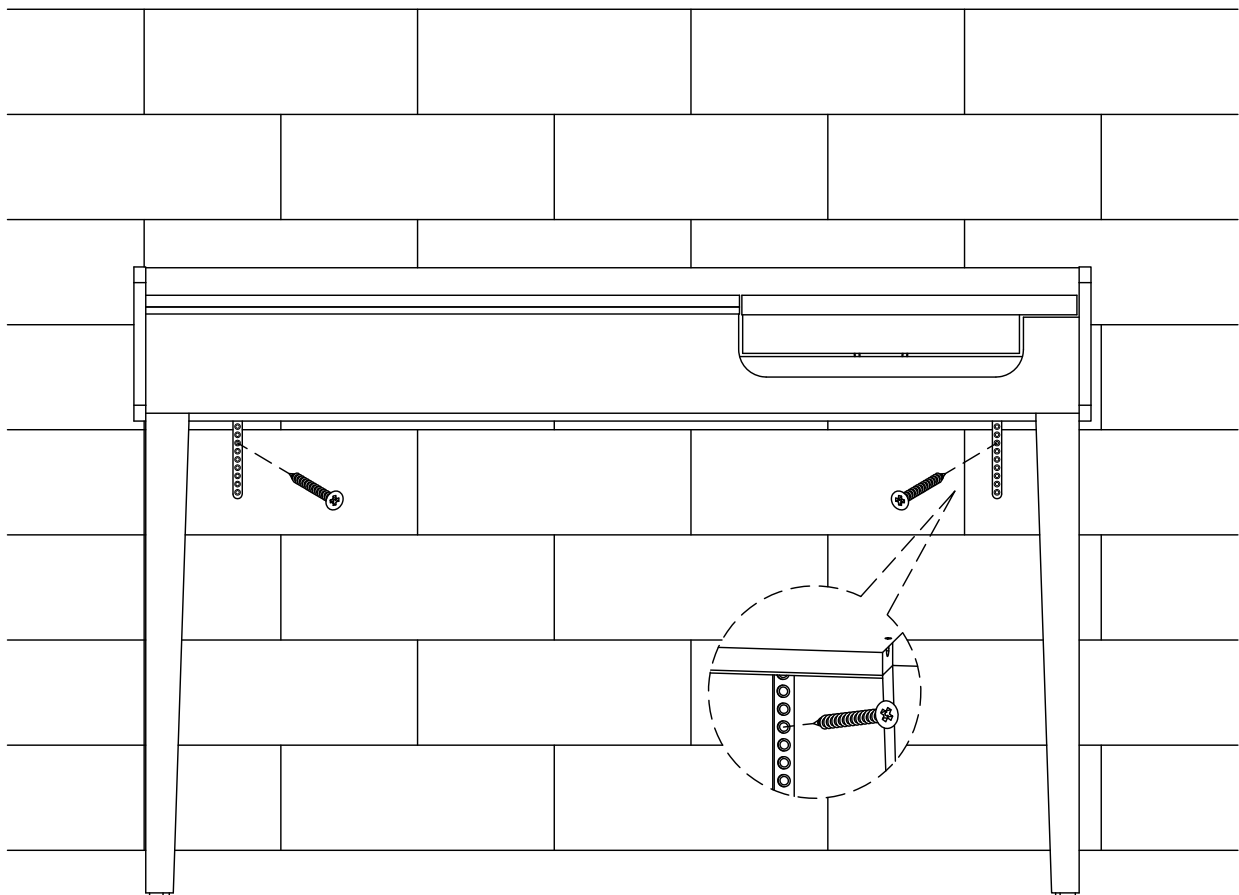
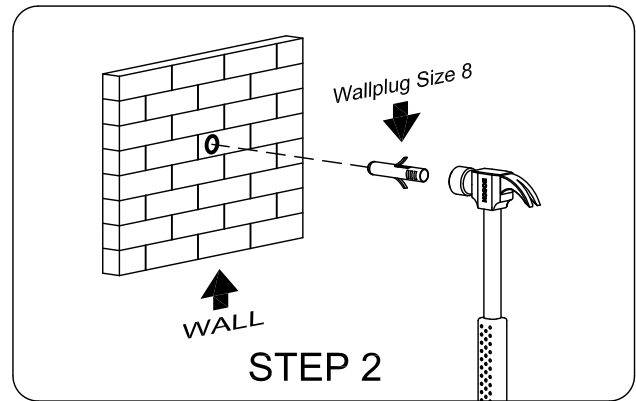
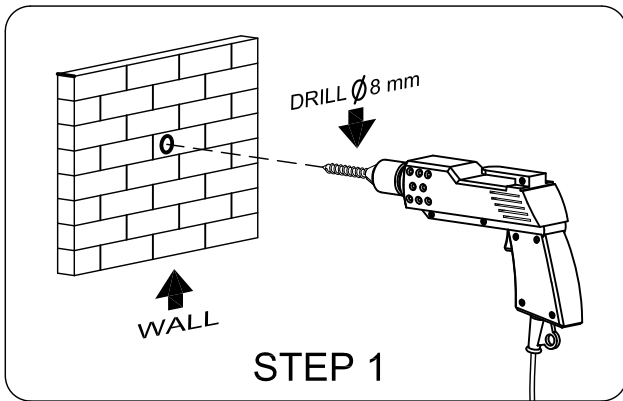
15



16



17



**Important:**

To avoid your desk from accidentally tipping forwards and toppling over when in use, attaching it to the wall is essential. The hardware required varies depending on the wall and is not provided, please consult a specialist if in doubt

Teknik