

INDUSTRIAL STYLE CHUNKY BENCH DESK SMOKED OAK

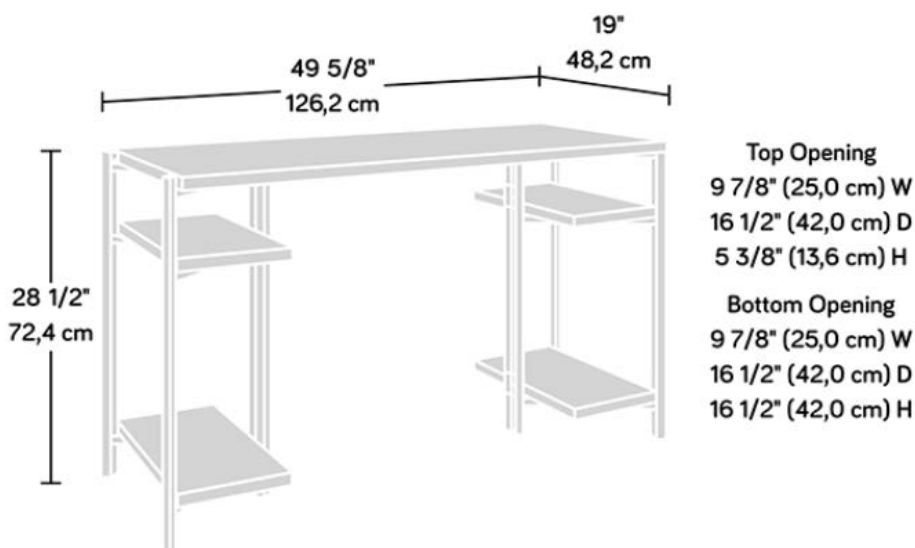
PRODUCT SHEET

FURNITURE



- Home office industrial style chunky bench desk
- Sturdy 1" thick desktop and shelves
 - Sharp, minimalist design
- Spacious work area finished in smoked oak effect
 - Durable black metal frame
 - Four storage shelves
 - 360° all round finish, (can be freestanding)
- Simple, no tools required assembly

Width	126.2 cm
Depth	48.2 cm
Height	72.4 cm
Carton Height	14.7 cm
Carton Width	131.6 cm
Carton Depth	55.5 cm
Box Volume	0.107 cbm
Weight (gross)	18.14 kg



N.B: All measurements are approximate