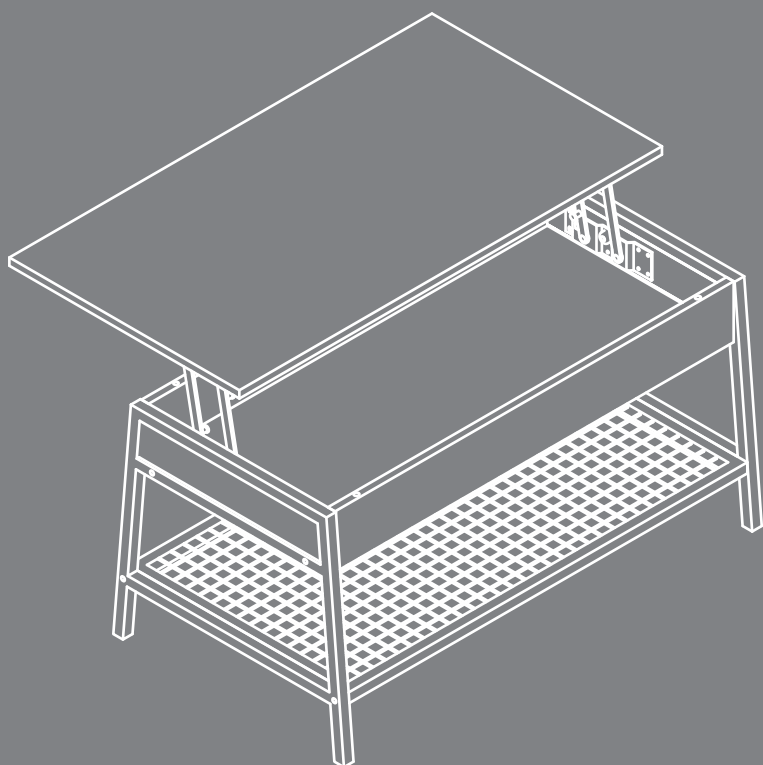


[www.teknikoffice.co.uk](http://www.teknikoffice.co.uk)

**Teknik**



It's addicting.

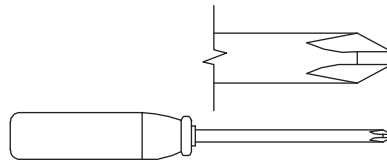
# Market Lift Up Coffee Table

Model 5425768

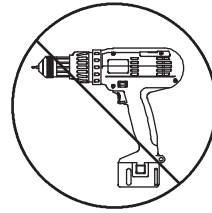
# Table of Contents

# Assembly Tools Required

Part Identification	3
Hardware Identification	4
Assembly Steps	5-15



No. 2 Phillips Screwdriver  
Tip Shown Actual Size



Skip the power trip.  
This time.

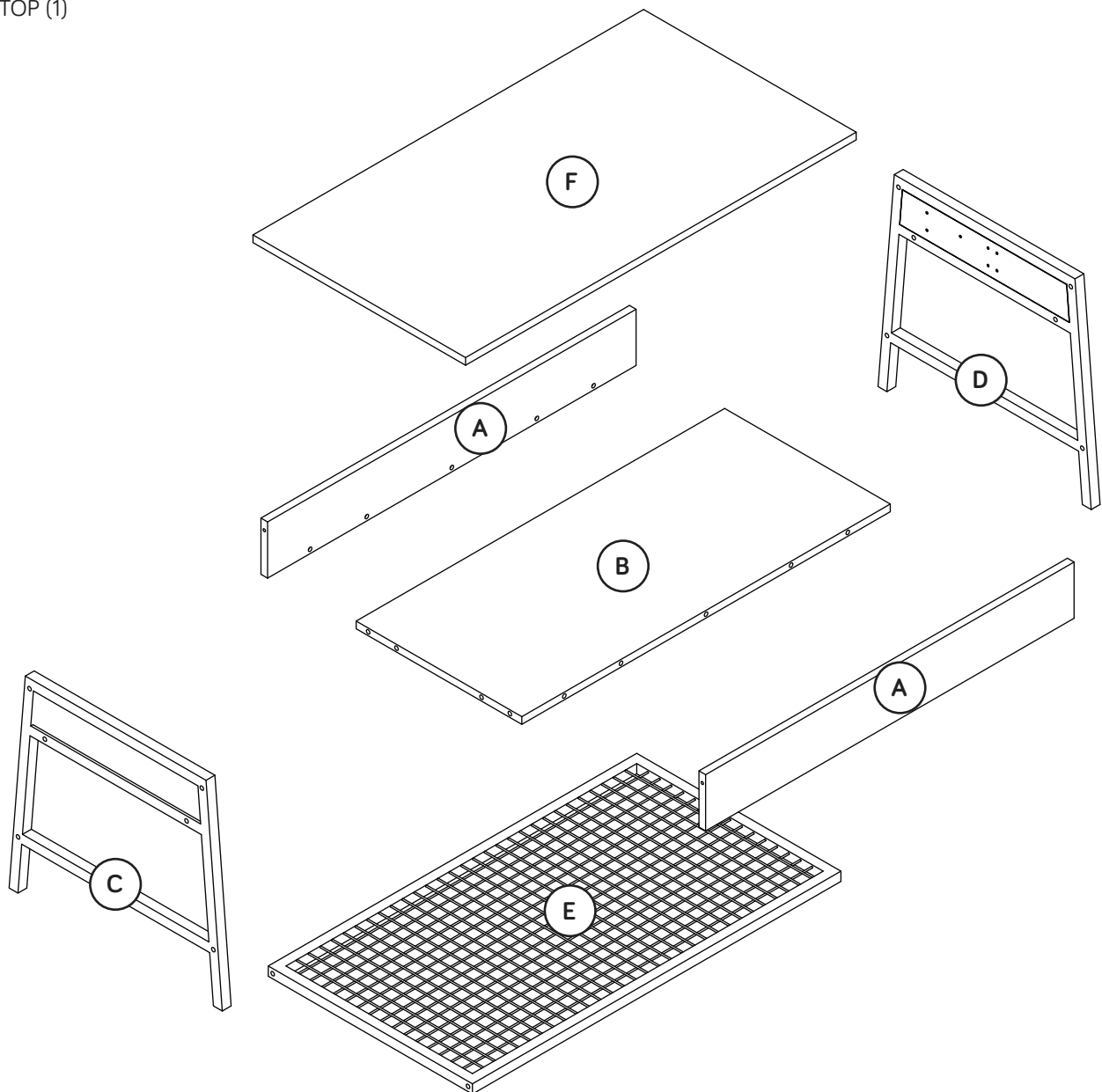
# Part Identification

Now you know  
our ABCs.



⚠ While not all parts are labeled, some of the parts will have a label or an inked letter on the edge to help distinguish similar parts from each other. Use this part identification to help identify similar parts.

A	PANEL (2)
B	SHELF (1)
C	LEFT END (1)
D	RIGHT END (1)
E	BOTTOM (1)
F	TOP (1)



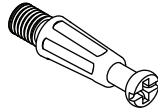
# Hardware Identification

† Screws are shown actual size. You may receive extra hardware with your unit.

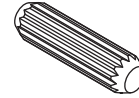
1 HIDDEN CAM - 6



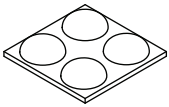
2 CAM SCREW - 6



3 WOOD DOWEL - 8



4 BUMPER CARD - 1



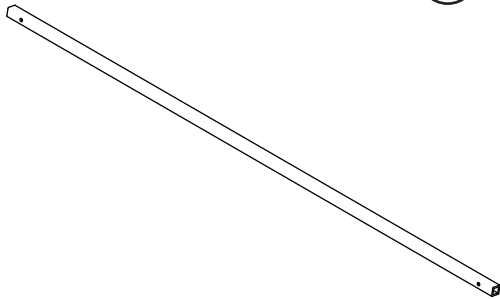
5 BUSHING - 2



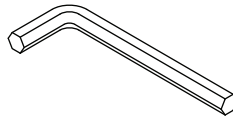
6 WASHER - 2



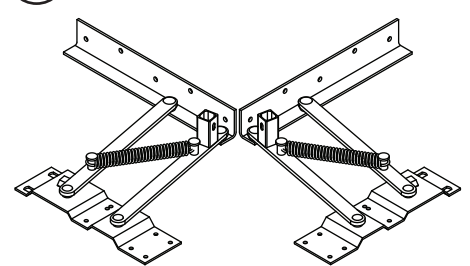
7 STRETCHER - 1



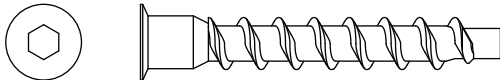
8 L-WRENCH - 1



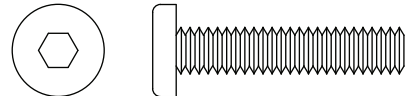
9 LIFT TABLE MECHANISM SET - 1



10 BLACK 1-7/8" HEX HEAD SCREW - 8



11 BLACK 1-3/16" HEX HEAD SCREW - 4



12 BLACK 11/16" PAN HEAD SCREW - 2



13 BLACK 9/16" PAN HEAD SCREW - 22



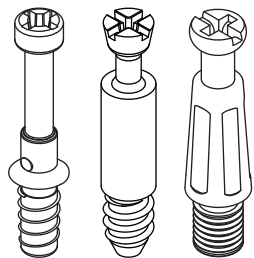
14 BLACK 3/8" PAN HEAD SCREW - 2



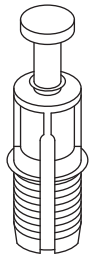
# Hardware Usage Guide

## HOW TO USE A HIDDEN CAM & CAM SCREW OR CAM DOWEL

1. NOTE: Various CAM SCREWS or a CAM DOWEL may be used.

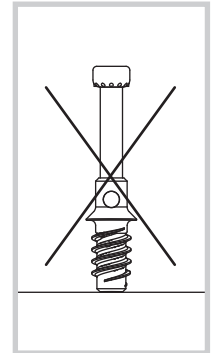
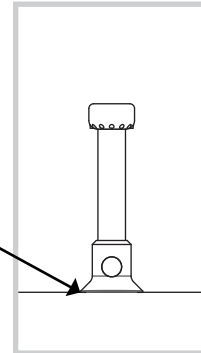


Cam Screws

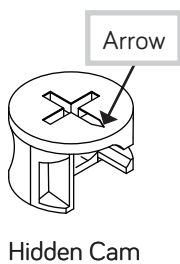


Cam Dowel

Turn the CAM SCREW or gently tap the CAM DOWEL until the shoulder is against the surface of the part.

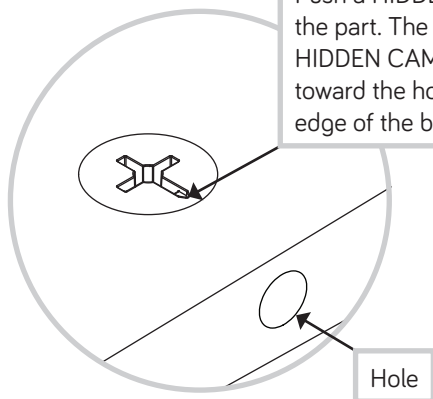


2.



Arrow

Hidden Cam

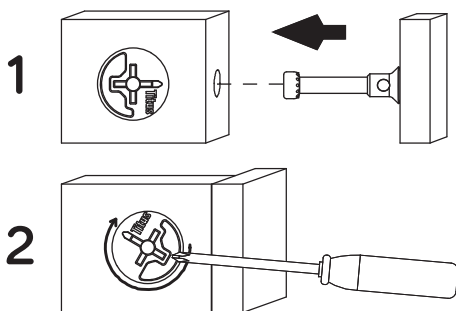


Push a HIDDEN CAM into the part. The arrow in the HIDDEN CAM must point toward the hole in the edge of the board.

Hole

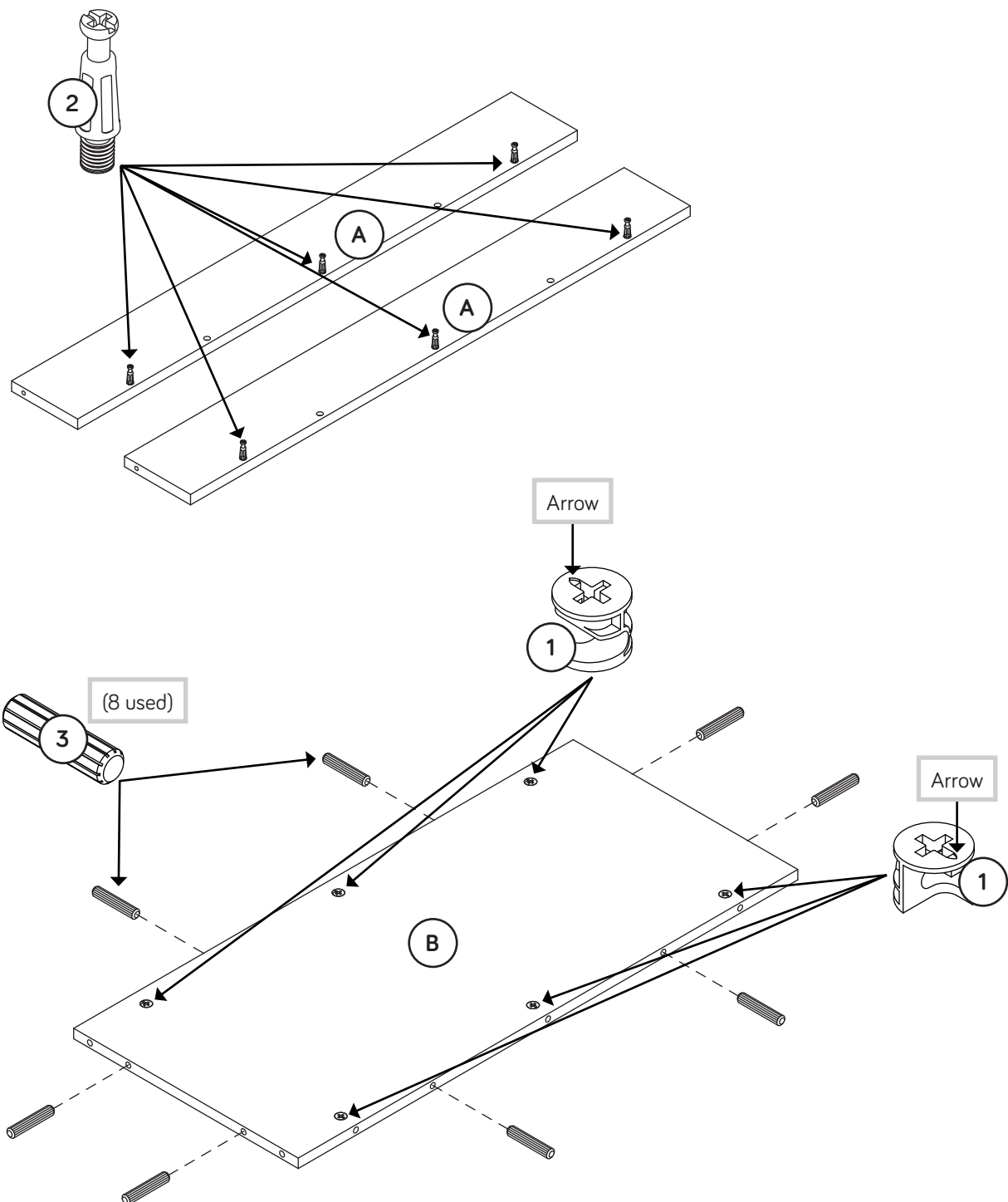
3.

Insert the CAM SCREW or CAM DOWEL into the HIDDEN CAM. Tighten the HIDDEN CAM.



# Step 1

- ✚ Assemble your unit on a carpeted floor or on the empty carton to avoid scratching your unit or the floor.
- ✚ Turn six CAM SCREWS (2) into the PANELS (A).
- ✚ Push six HIDDEN CAMS (1) into the SHELF (B).
- ✚ Insert eight WOOD DOWELS (3) into the edges of the SHELF (B).



# Step 2

🔩 Fasten the SHELF (B) to one of the PANELS (A). Tighten three HIDDEN CAMS.

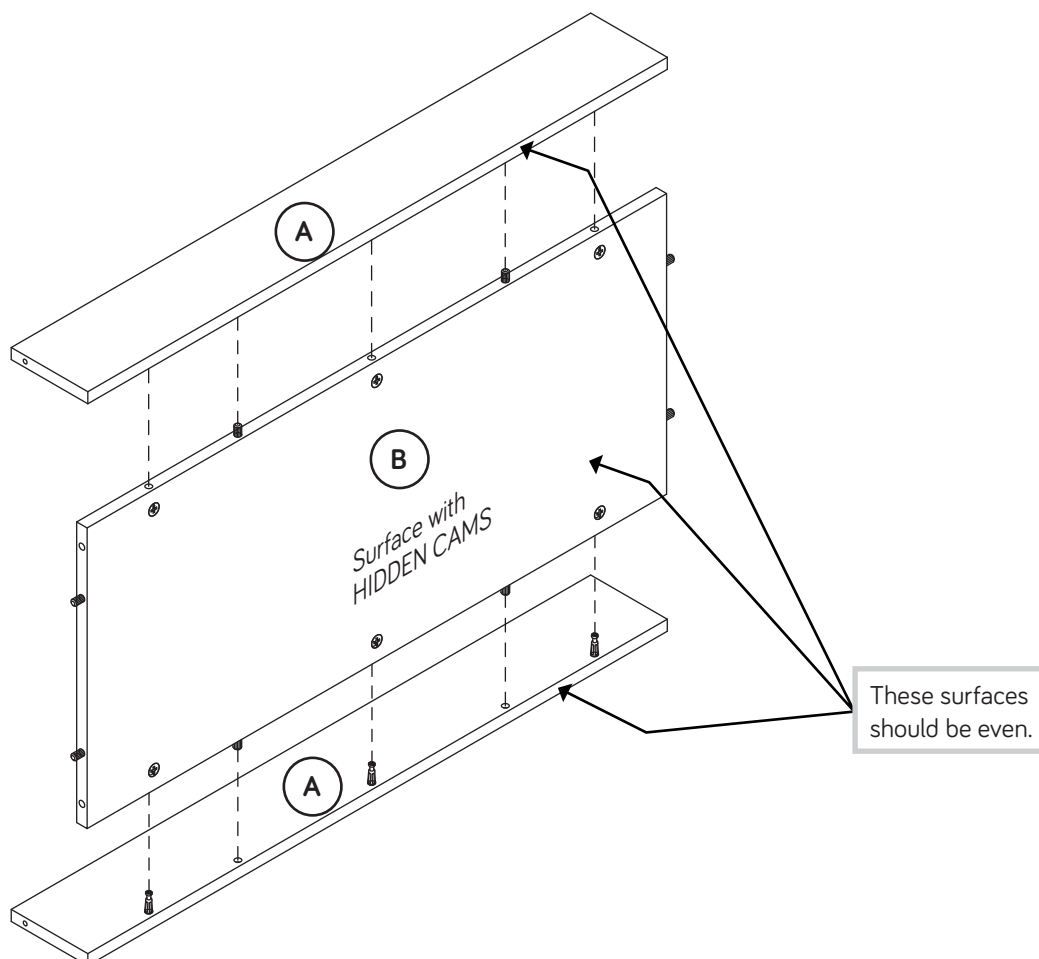
🔩 NOTE: Be sure the WOOD DOWELS in the SHELF insert into the PANEL.

🔩 Fasten the other PANEL (A) to the SHELF (B). Tighten three HIDDEN CAMS.

🔩 NOTE: Be sure the WOOD DOWELS in the SHELF insert into the PANEL.



Some assembly  
(and snacks) required.

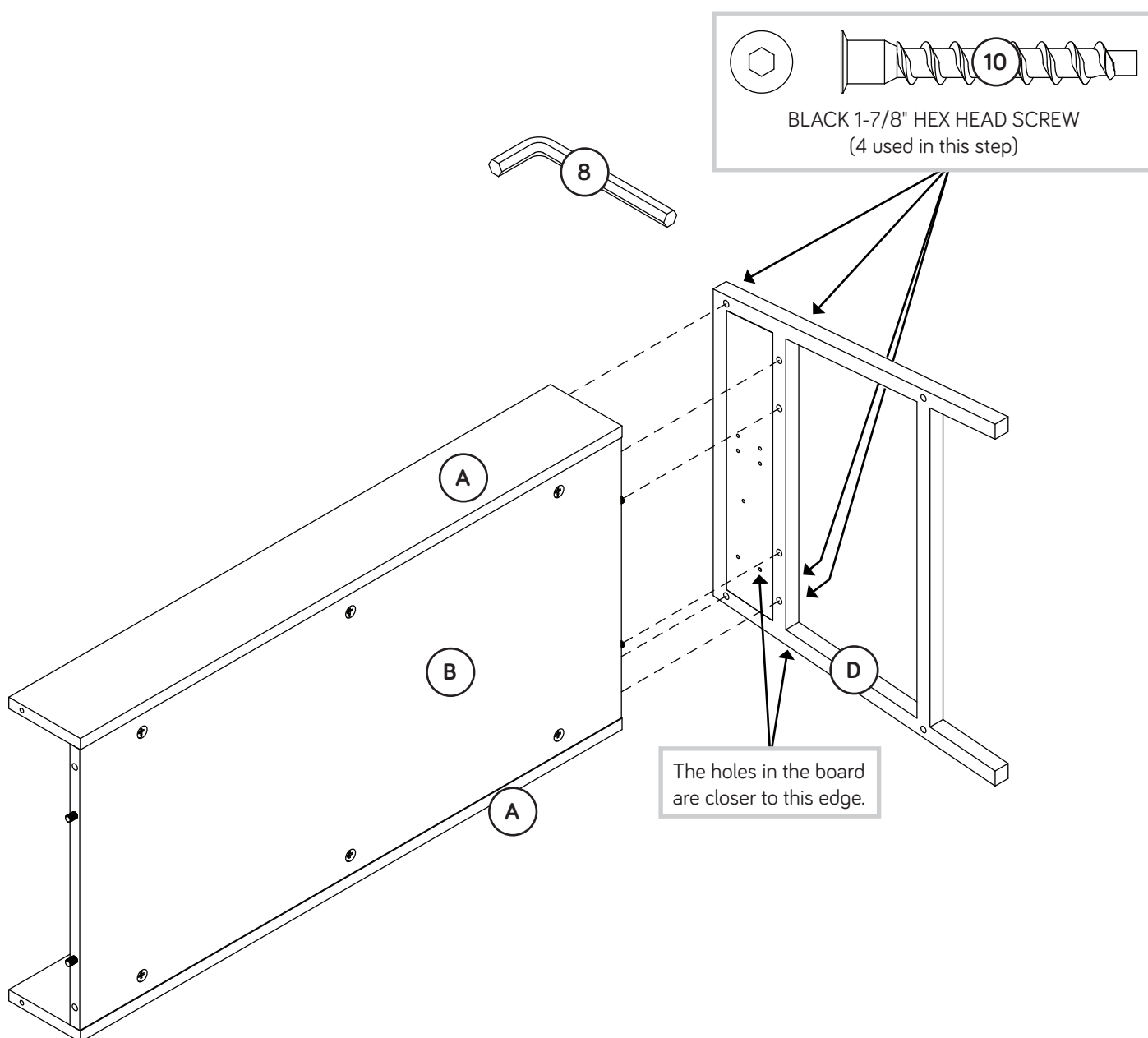


# Step 3

✚ Fasten the RIGHT END (D) to the PANELS (A) and SHELF (B).  
Tighten four BLACK 1-7/8" HEX HEAD SCREWS (10) using  
the L-WRENCH (8).

✚ NOTE: You should start each SCREW a few turns before  
completely tightening any of them.

✚ NOTE: Be sure the WOOD DOWELS in the SHELF insert into  
the RIGHT END.

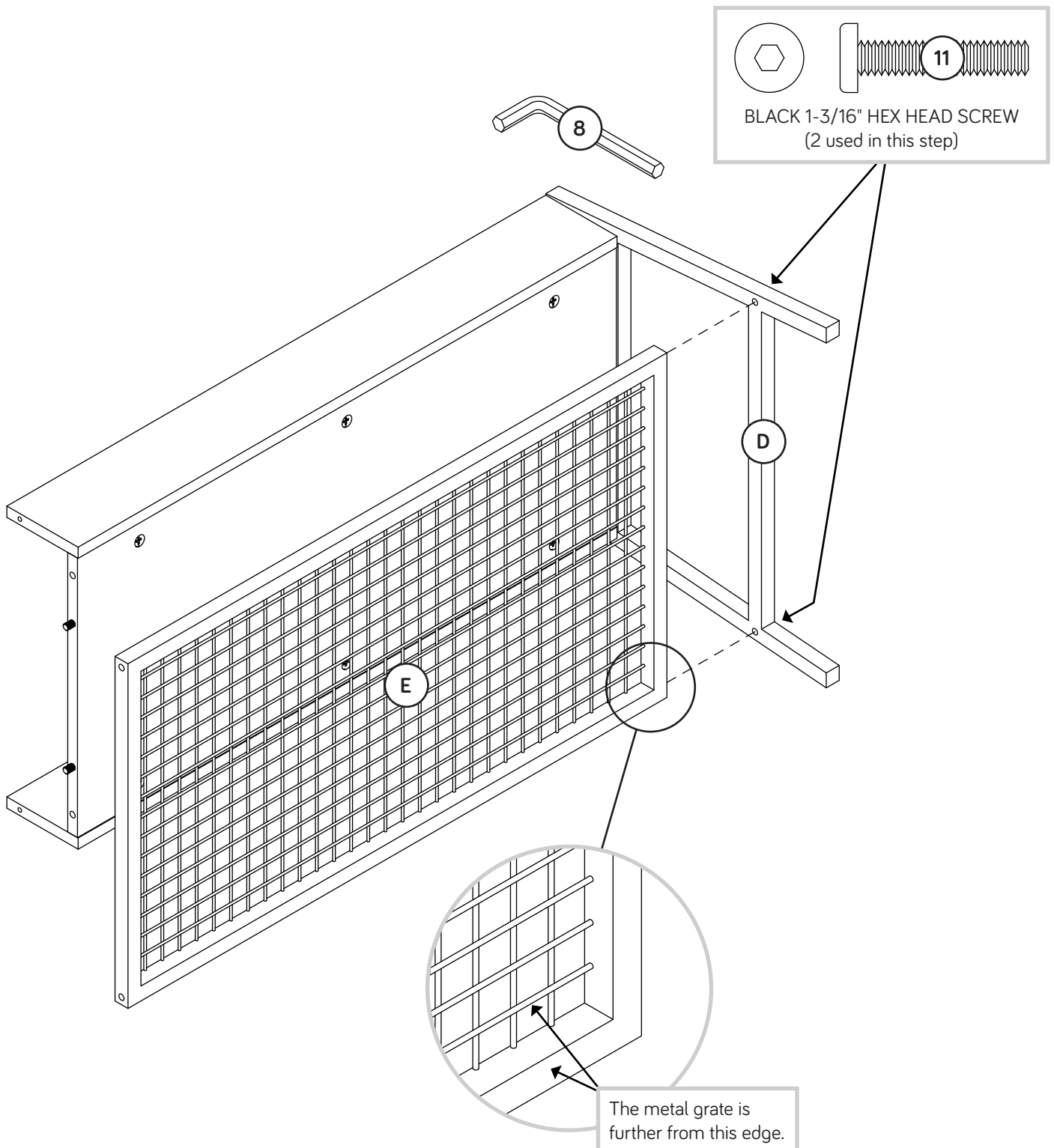




# Step 4

✦ Fasten the BOTTOM (E) to the RIGHT END (D).  
Tighten two BLACK 1-3/16" HEX HEAD SCREWS (11)  
using the L-WRENCH (8).

✦ NOTE: You should start each SCREW a few turns  
before completely tightening any of them.



# Step 5

✚ Fasten the LEFT END (C) to the PANELS (A) and SHELF (B). Tighten four BLACK 1-7/8" HEX HEAD SCREWS (10) using the L-WRENCH (8).

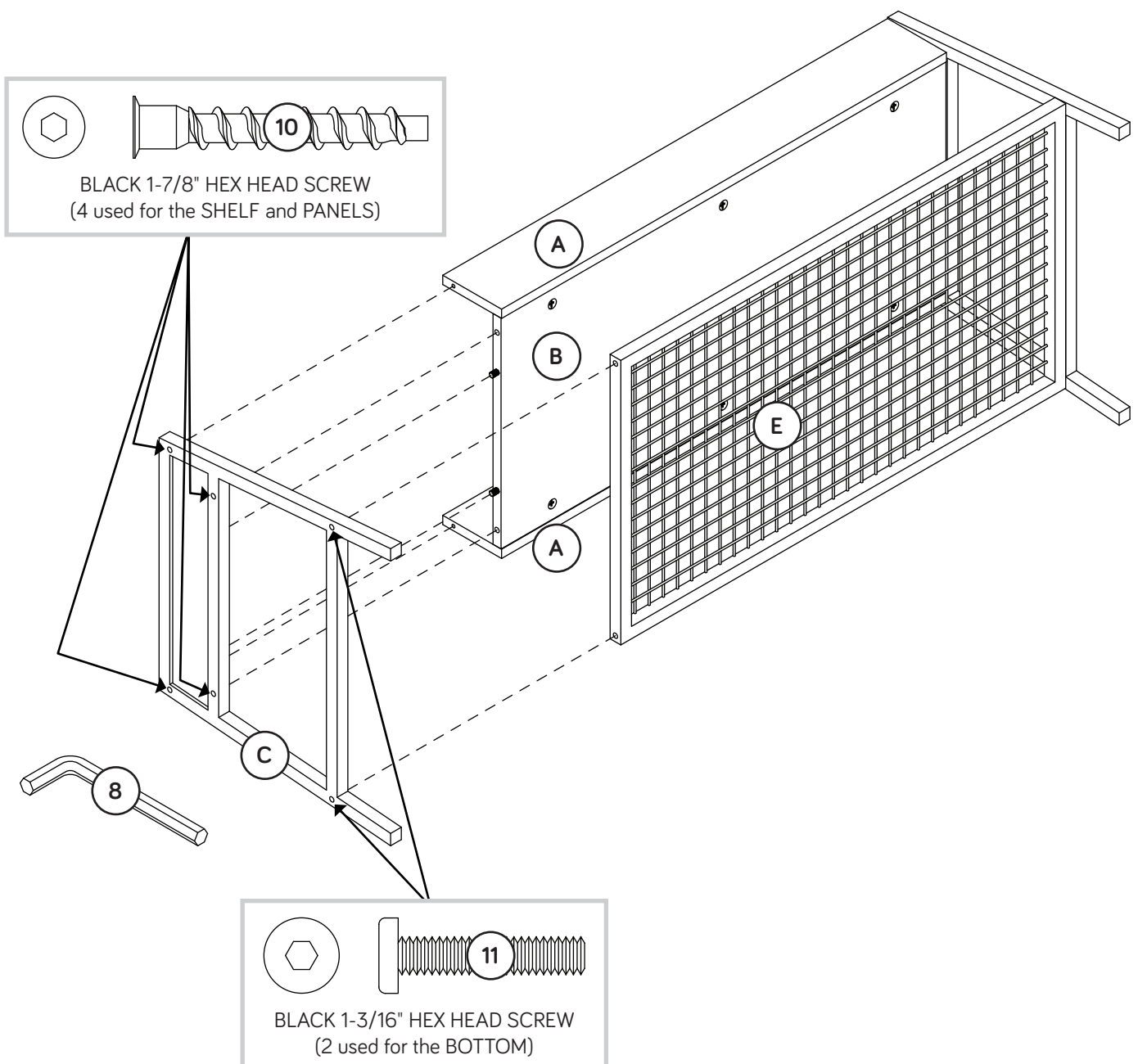
✚ NOTE: You should start each SCREW a few turns before completely tightening any of them.

✚ NOTE: Be sure the WOOD DOWELS in the SHELF insert into the LEFT END.

✚ Fasten the LEFT END (C) to the BOTTOM (E). Tighten two BLACK 1-3/16" HEX HEAD SCREWS (11) using the L-WRENCH (8).

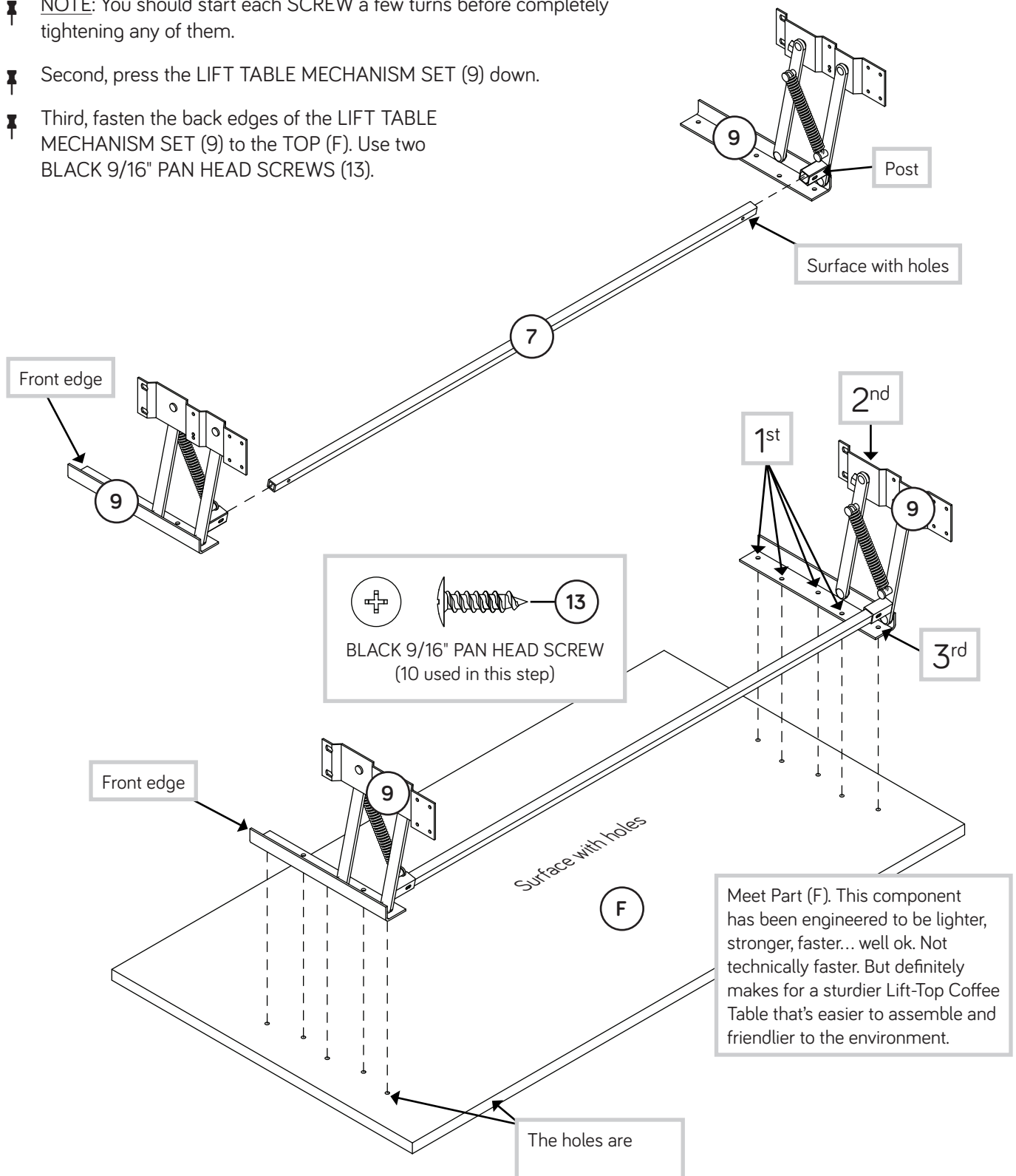


Now might be a good time to refresh your drink.



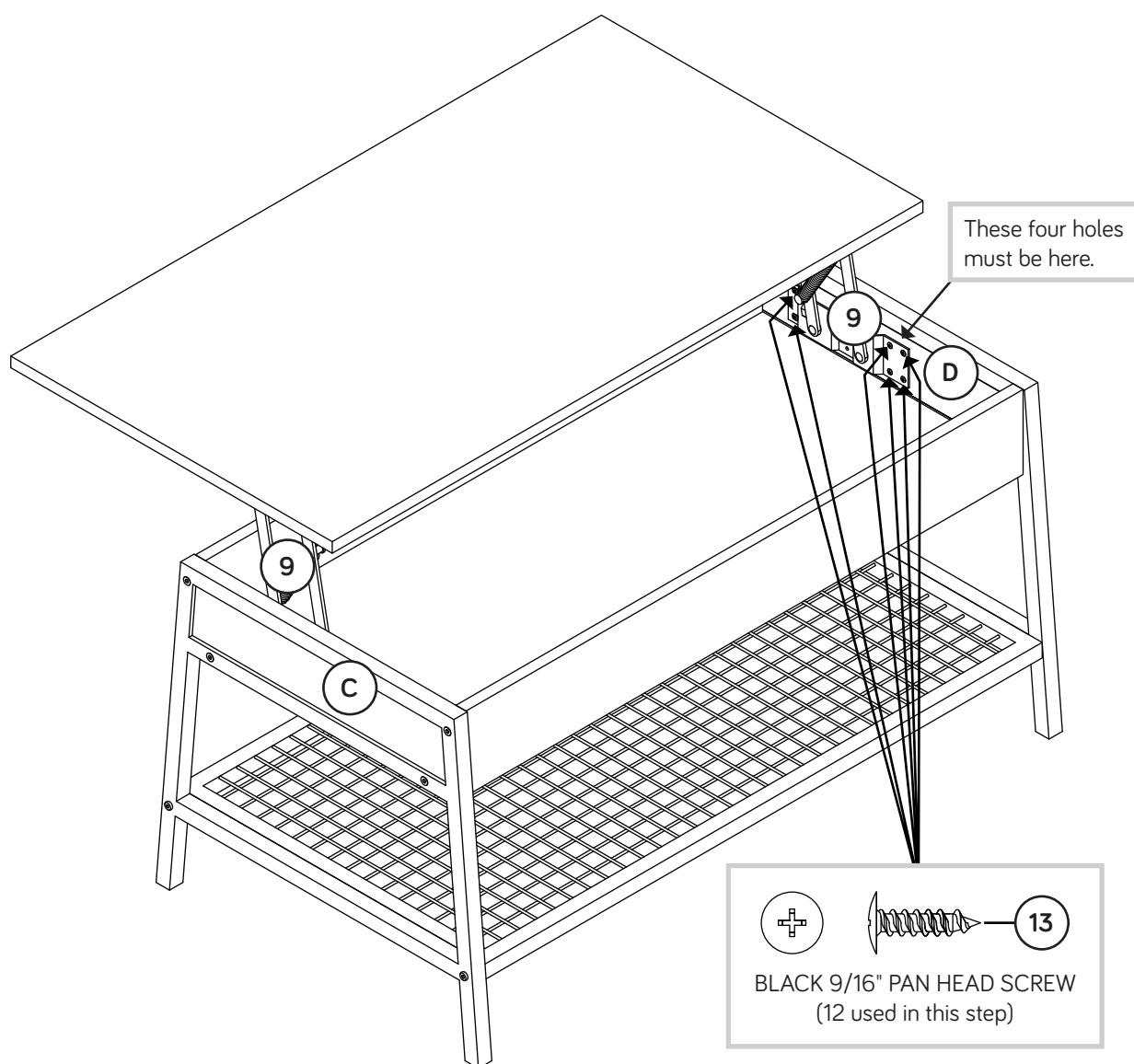
# Step 6

- ✚ Insert the ends of the STRETCHER (7) into the posts on the LIFT TABLE MECHANISM SET (9). Be sure the holes in the STRETCHER line up with the holes in the posts.
- ✚ First, fasten the front edges of the LIFT TABLE MECHANISM SET (9) to the TOP (F). Use eight BLACK 9/16" PAN HEAD SCREWS (13).
- ✚ **NOTE:** You should start each SCREW a few turns before completely tightening any of them.
- ✚ Second, press the LIFT TABLE MECHANISM SET (9) down.
- ✚ Third, fasten the back edges of the LIFT TABLE MECHANISM SET (9) to the TOP (F). Use two BLACK 9/16" PAN HEAD SCREWS (13).



# Step 7

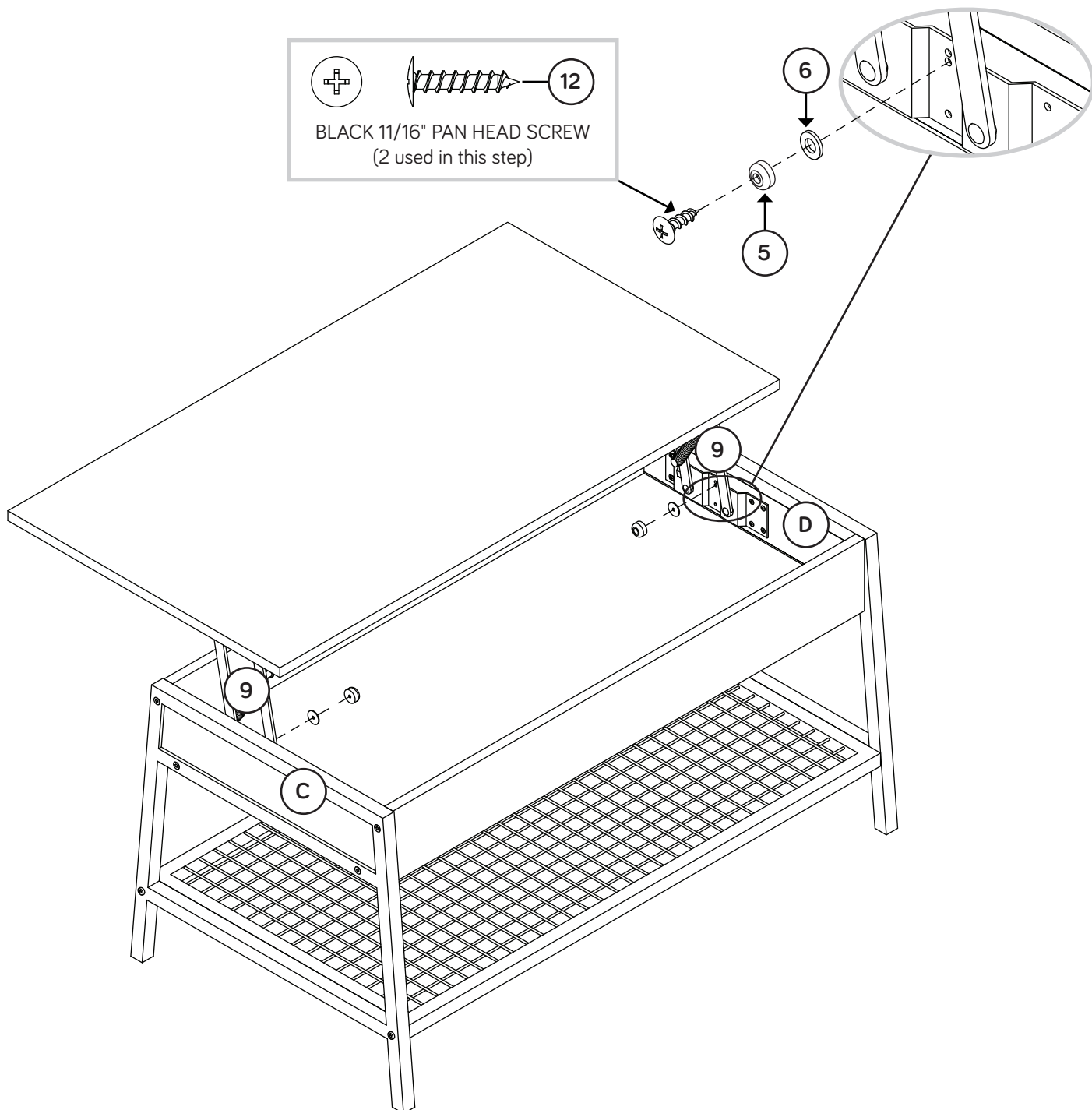
- ✚ Carefully stand your unit upright.
- ✚ NOTE: Be sure not to scratch the ENDS (C and D) in this step.
- ✚ With someone's help, fasten the LIFT TABLE MECHANISM SET (9) to the ENDS (C and D). Use twelve BLACK 9/16" PAN HEAD SCREWS (13).
- ✚ NOTE: You should start each SCREW a few turns before completely tightening any of them.



# Step 8

✚ Finish fastening the LIFT TABLE MECHANISM SET (9) to the ENDS (C and D). Use two BLACK 11/16" PAN HEAD SCREWS (12), two BUSHINGS (5), and two WASHERS (6) in the exact holes shown.

✚ NOTE: Do not overtighten the SCREWS (12).

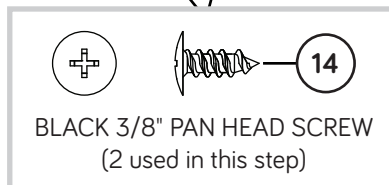
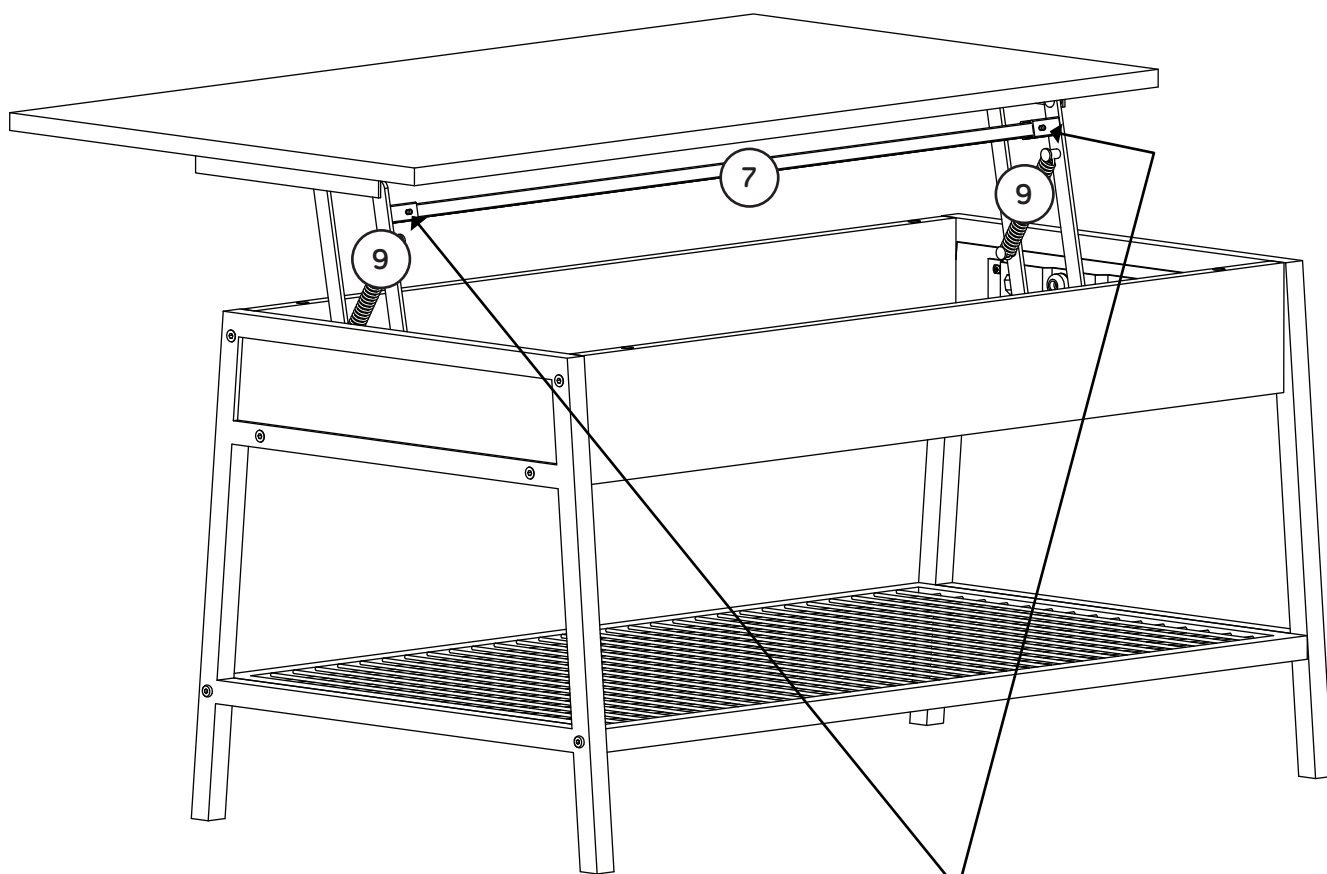


# Step 9

- Fasten the LIFT TABLE MECHANISM SET (9) to the STRETCHER (7). Use two BLACK 3/8" PAN HEAD SCREWS (14).

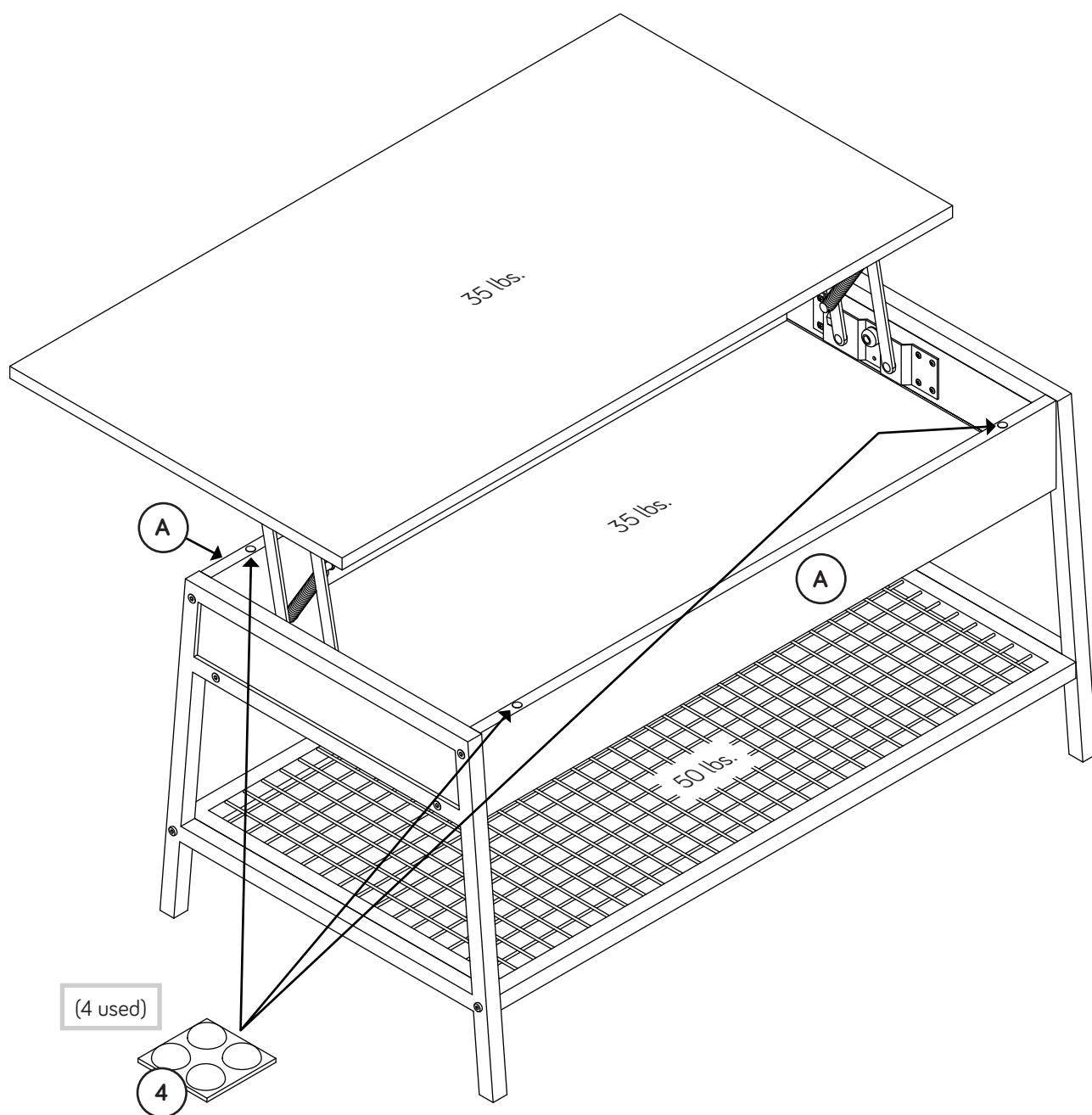


Almost time to celebrate! With a nap.



# Step 10

- ✦ **IMPORTANT:** Do not place valuables in the storage space.
- ✦ Peel BUMPERS from the BUMPER CARD (4) and stick them onto the top edges of the PANELS (A) as shown.
- ✦ **NOTE:** Please read the back pages of the instruction booklet for important safety information.
- ✦ This completes assembly. Clean with a damp cloth. Wipe dry.



 **WARNING**

Please use your furniture correctly and safely. Improper use can cause safety hazards, or damage to your furniture or household items. *Carefully read the following chart.*

Look out for:	What can happen:	How to avoid the problem:
<ul style="list-style-type: none"><li>Overloaded shelves.</li></ul>	<ul style="list-style-type: none"><li>Risk of injury.</li><li>Top-heavy furniture can tip over.</li><li>Overloaded shelves can break.</li></ul>	<ul style="list-style-type: none"><li>Never exceed the weight limits shown in the instructions.</li><li>Work from bottom to top when loading shelves. Place the heavier items on the lower shelves.</li></ul>
<ul style="list-style-type: none"><li>Placing TVs on furniture items that are not designed to support a television is hazardous.</li></ul>	<ul style="list-style-type: none"><li>Risk of injury or death. TVs can be very heavy. Plus the weight and location of the picture tube tends to make TVs unbalanced and prone to tipping forward.</li></ul>	<ul style="list-style-type: none"><li>This product is not designed to support a television.</li></ul>