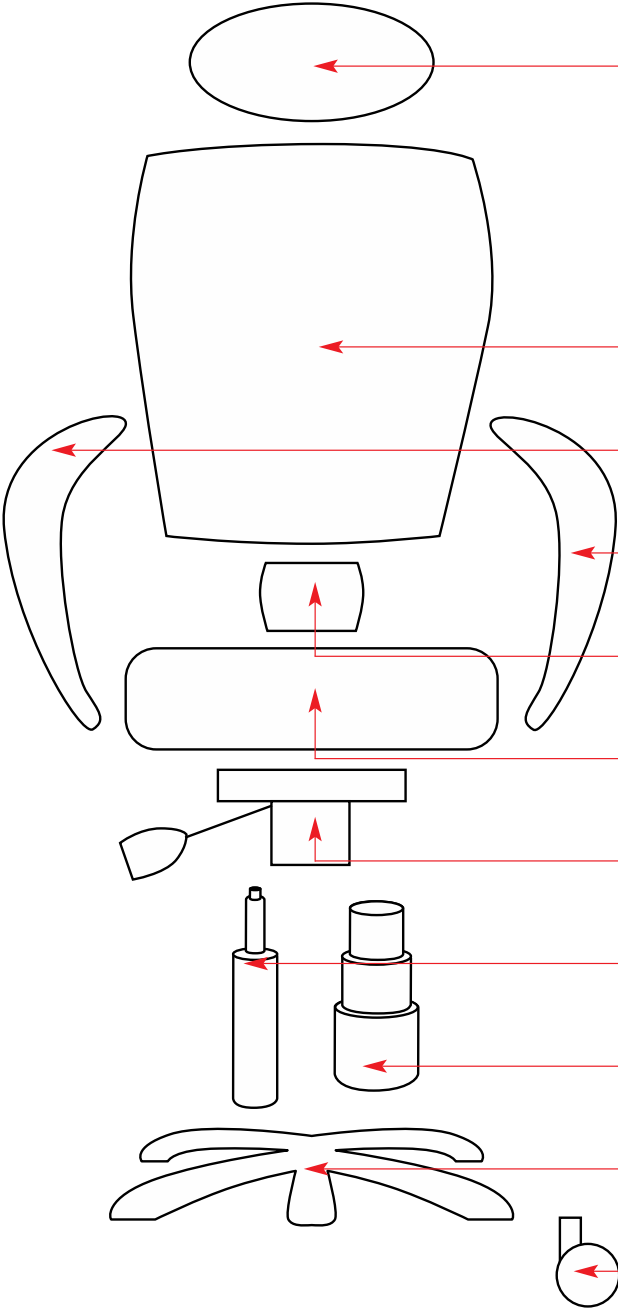


PRODUCT	POLLY STOOL	1850
---------	-------------	------



HEADREST		N/A
BACKREST		N/A
ARM <i>RH when seated</i>		N/A
ARM <i>LH when seated</i>		N/A
BACK BRACKET/MECH		N/A
SEAT	Z250	MECHANISM SCREW DIMENSIONS IN CM 
MECHANISM	ATTACHED	
GAS LIFT	Z24	
TELESCOPE		Z33
FIVE STAR BASE		Z151
CASTORS		Z03

FIXINGS	NO FIXINGS NEEDED
---------	-------------------

UNIQUE PARTS	
--------------	--

NOTES	
-------	--