

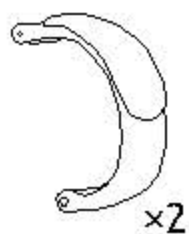
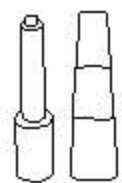
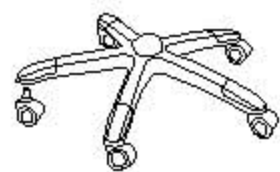
ASSEMBLY INSTRUCTIONS

6903

(1) CASTER (2) BASE (3) GASLIFT (4) ARMREST

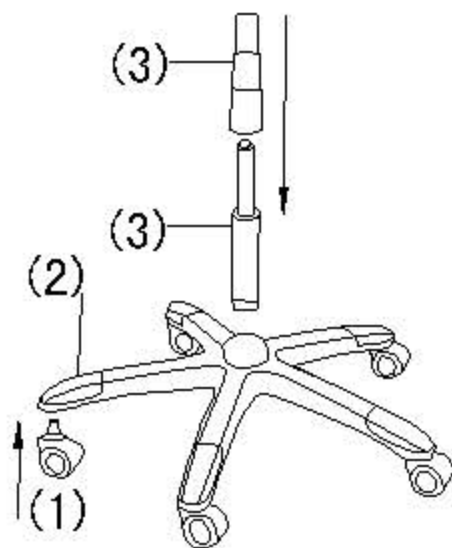


x5

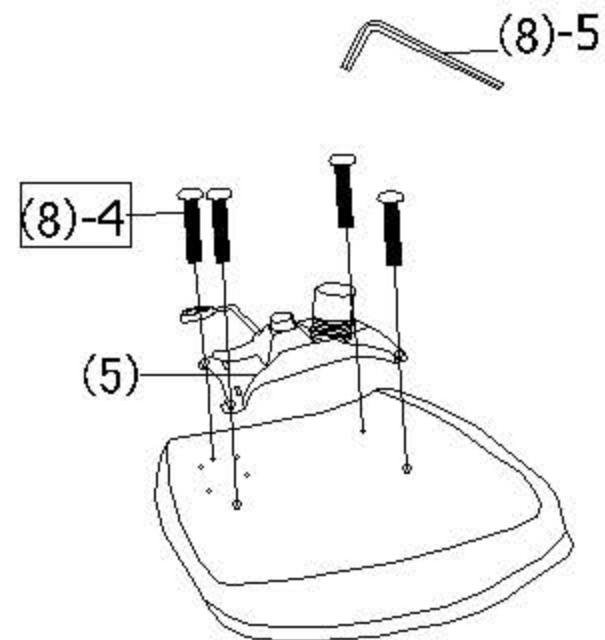


x2

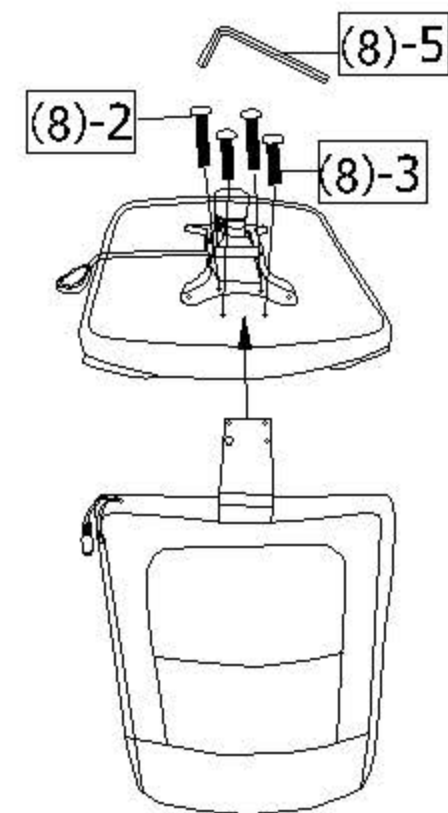
A



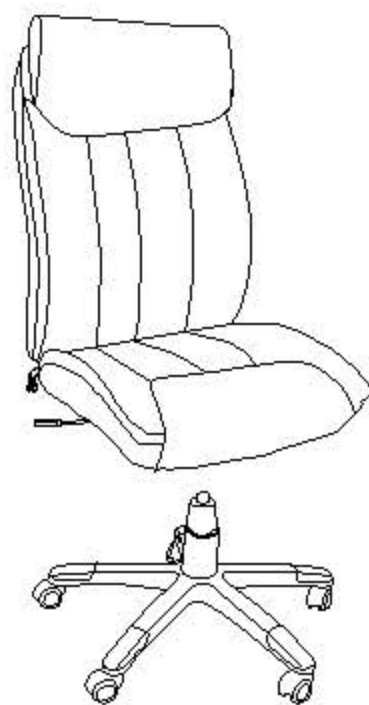
B



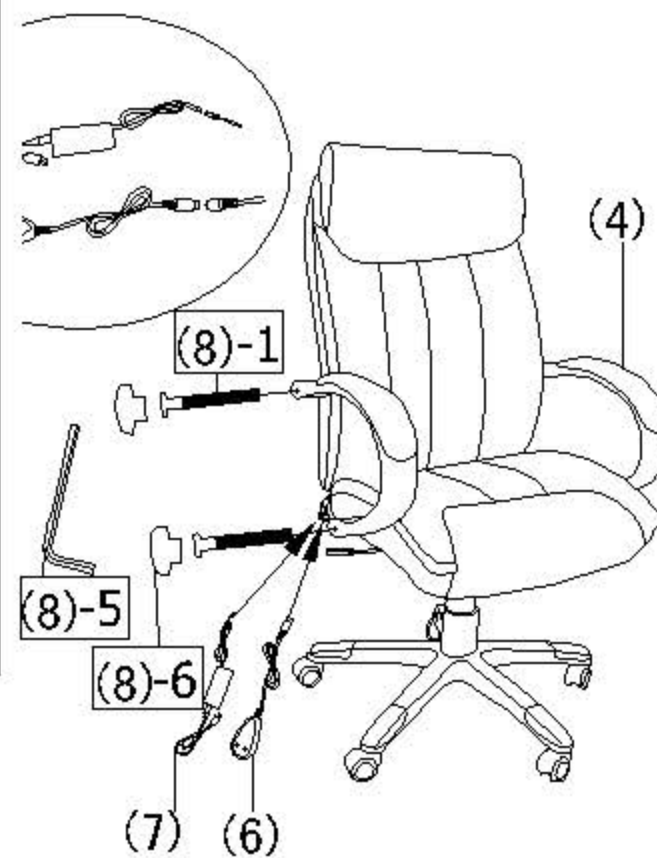
C



D



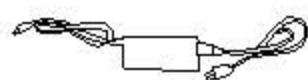
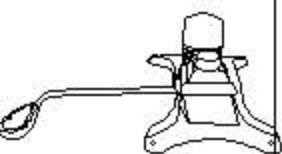
E



F



(5) MECHANISM (6) REMOTE CONTROLLER (7) ELECTRIC POWER



- (8)
1. x4 (8x60)MM
 2. x2 (6x30)MM
 3. x2 (6x25)MM
 4. x4 (6x20)MM
 5. x1
 6. x4

