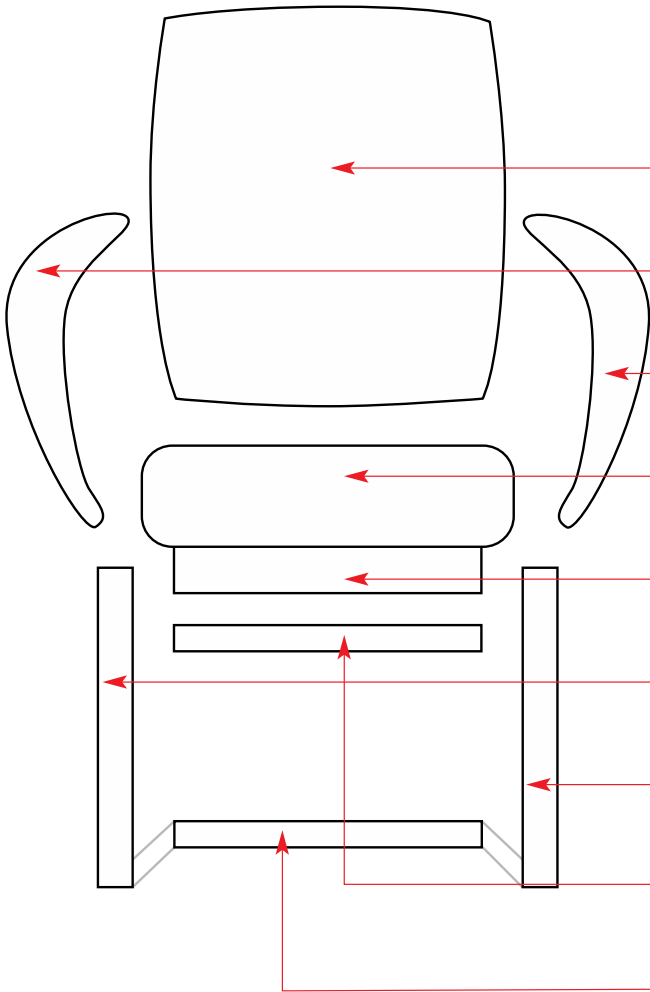


PRODUCT	4 LEGGED RECEPTION CHAIR	6929
---------	--------------------------	------



BACKREST	Z994 (Whole top piece)
ARM <i>RH when seated</i>	N/A
ARM <i>LH when seated</i>	N/A
SEAT	Z994 (Whole top piece)
UNDERSIDE FRAME	Z76 (square frame)
FRAME <i>RH when seated</i>	Z996 (Set of legs)
FRAME <i>LH when seated</i>	Z996 (Set of legs)
CROSS BAR <i>FRONT</i>	N/A
CROSS BAR <i>REAR</i>	N/A

FIXINGS	M6X25 SCREW x4, M6x40 SCREW x4, M6/ø16 WASHER x8, M6 WASHER (TWISTED) x8
---------	--

UNIQUE PARTS	N/A
--------------	-----

NOTES	
-------	--