

# TEKNIK OFFICE LTD.

SALES & SERVICE: PHONE: +1234 328804

FAX: +1234 342446,

## ASSEMBLY AND ADJUSTMENT INSTRUCTIONS

Before beginning the assembly, check to see that all parts are enclosed.

### PART LIST

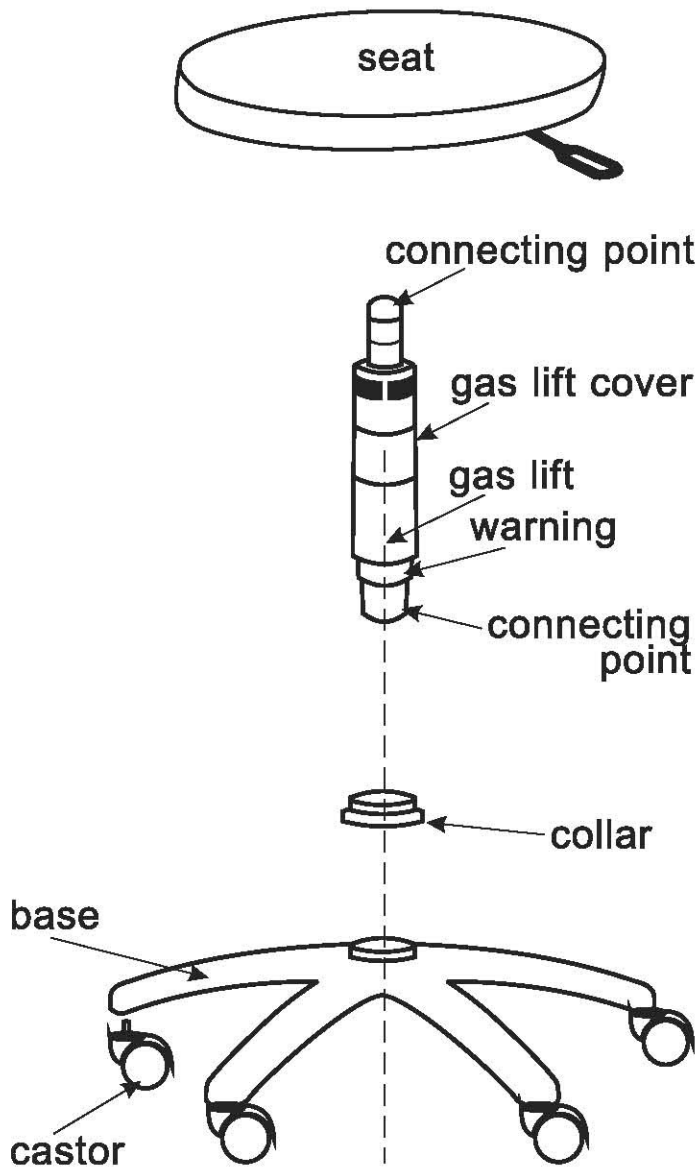
- 1 base
- 5 castors
- 1 gas lift
- 1 gas lift cover with collar
- 1 seat

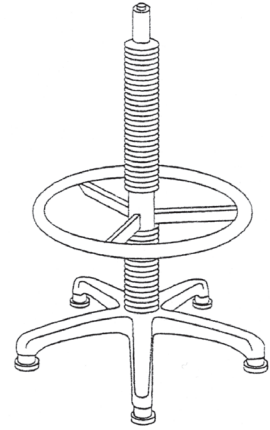
Insert castors into base. Pull gas lift cover over the gas lift and connect the lift with the base.

Locate the seat on the gas lift. Gas lift allows the adjustment of the seat height.

## MAINTENANCE

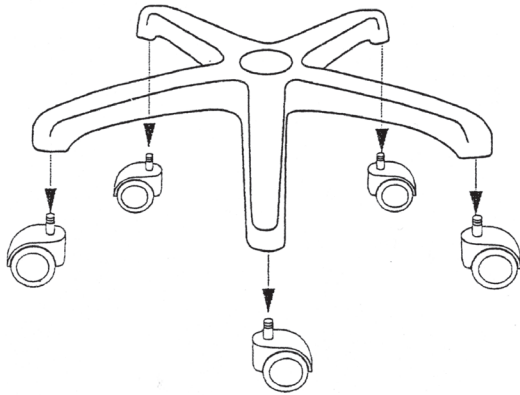
Inspection - Inspect chair at least every six months, to make sure all knobs, bolts and screws are tight.





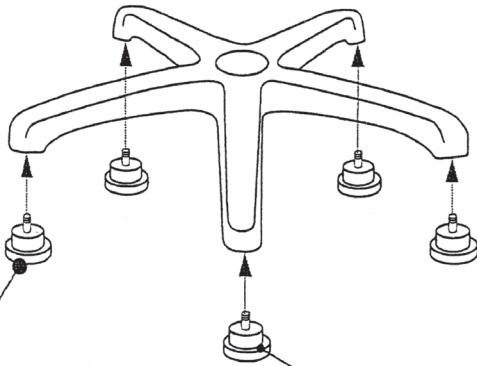
## TEKNIK RING KIT

1



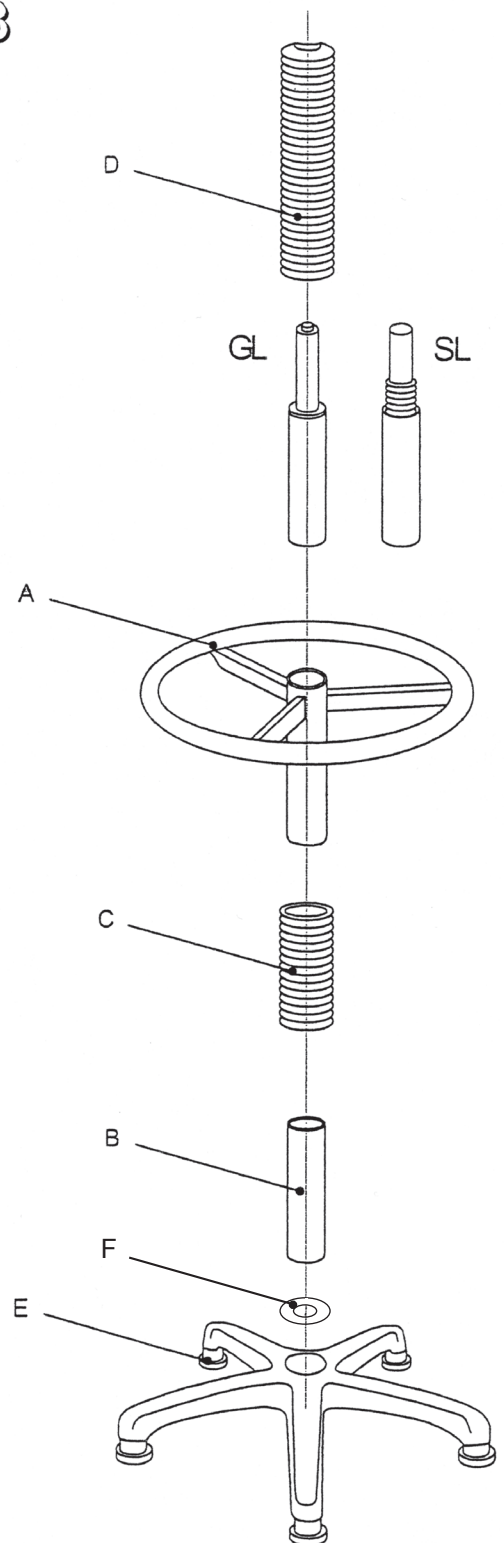
Togliere la ruota dal basamento  
 Pull the casters out of the 5 star base  
 Retirer la roulette du platement  
 Die roller vom fusskreuz wegnehmen

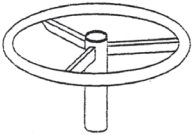





2



Spingere  
 Push in  
 Pousser  
 Drucken

3



											
A	x1	B	x1	C	x1	D	x1	E	x5	F	x1