

For all your
newfangled gadgetry.

Farmhouse Desk

Model 5408761

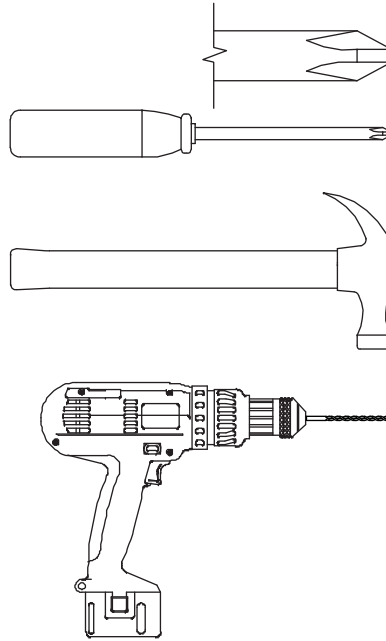
NOTE: THIS INSTRUCTION
BOOKLET CONTAINS **IMPORTANT**
SAFETY INFORMATION.

PLEASE READ AND KEEP FOR
FUTURE REFERENCE.

Table of Contents

Assembly Tools Required

Part Identification	2-3
Hardware Identification	4
Assembly Steps	5-20



No. 2 Phillips Screwdriver
Tip Shown Actual Size

Hammer
Not actual size 😊

Electric drill with 1/4" bit
(ONLY in indicated step)

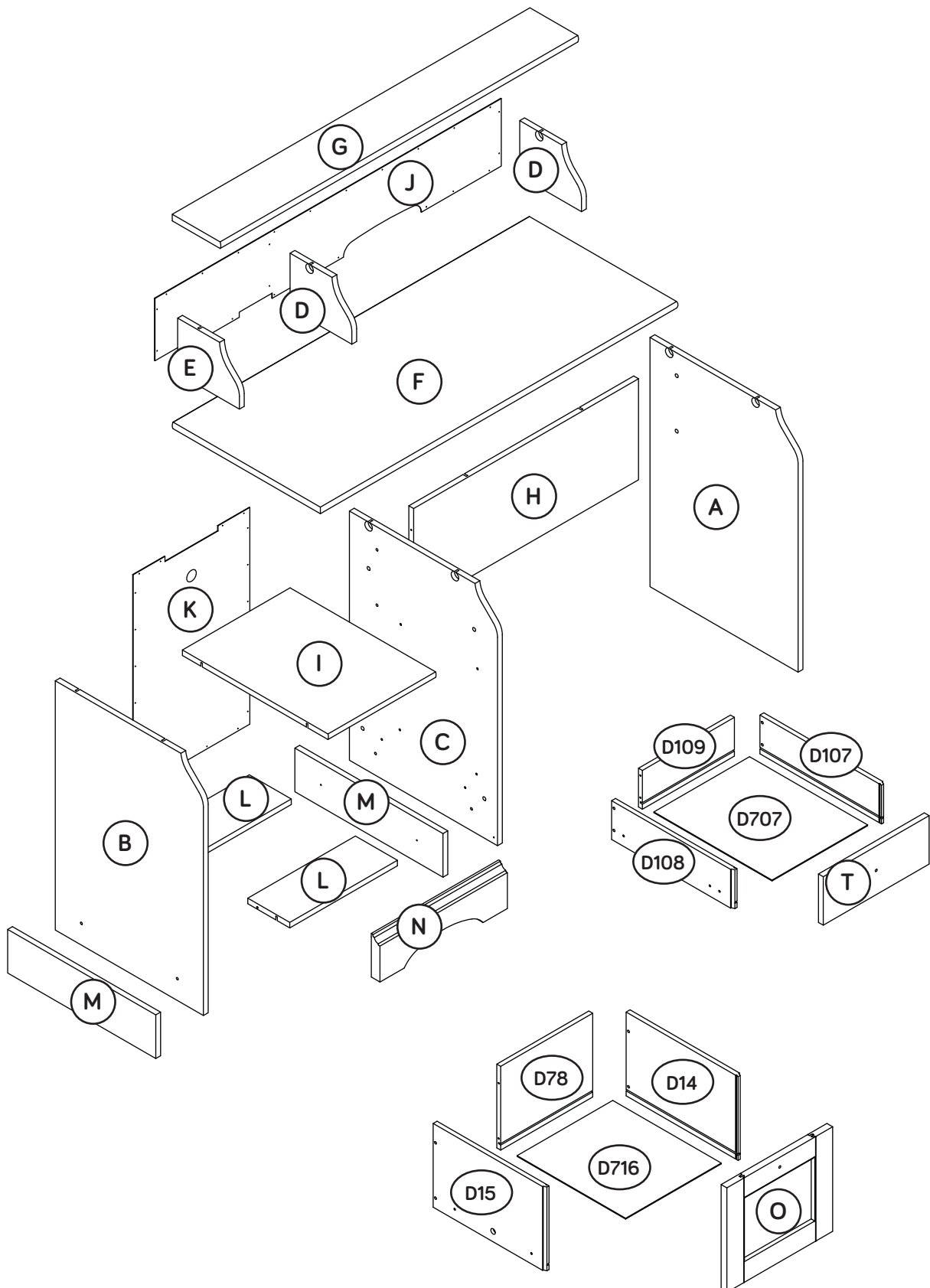
Part Identification

⚠ While not all parts are labeled, some of the parts will have a label or an inked letter on the edge to help distinguish similar parts from each other. Use this part identification to help identify similar parts.

A	RIGHT END (1)	D108	LEFT DRAWER SIDE (1)	I	SHELF (1)
B	LEFT END (1)	D109	DRAWER BACK (1)	J	HUTCH BACK (1)
C	UPRIGHT (1)	D707	LARGE DRAWER BOTTOM (1)	K	BACK (1)
D	RIGHT UPRIGHT (2)	D716	DRAWER BOTTOM (1)	L	BRACE (2)
D14	LARGE RIGHT DRAWER SIDE (1)	E	LEFT UPRIGHT (1)	M	SIDE BASE (2)
D15	LARGE LEFT DRAWER SIDE (1)	F	TOP (1)	N	BASE (1)
D78	LARGE DRAWER BACK (1)	G	HUTCH TOP (1)	O	LARGE DRAWER FRONT (1)
D107	RIGHT DRAWER SIDE (1)	H	MODESTY PANEL (1)	T	DRAWER FRONT (1)

Part Identification

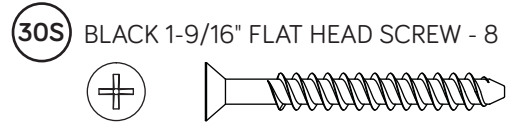
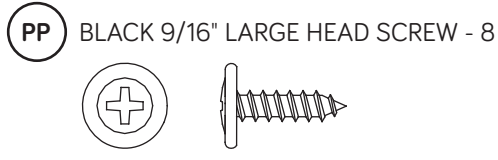
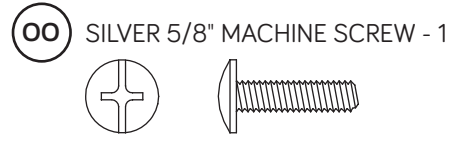
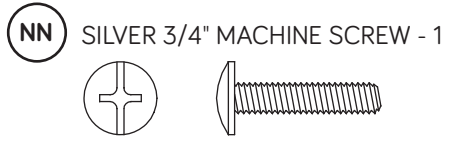
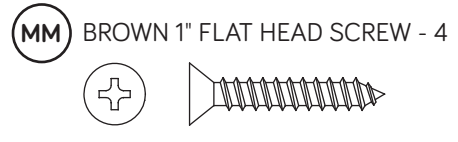
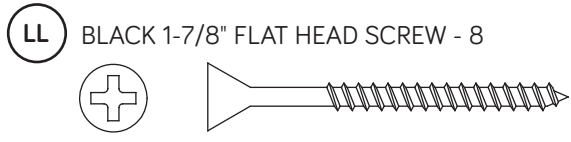
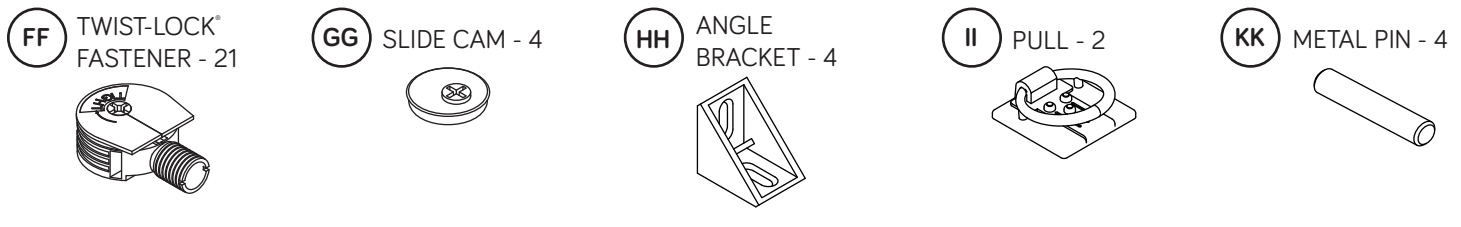
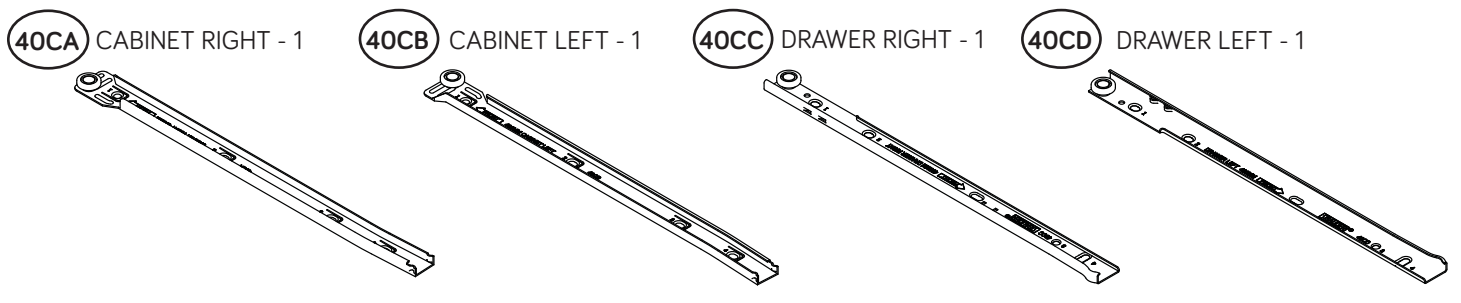
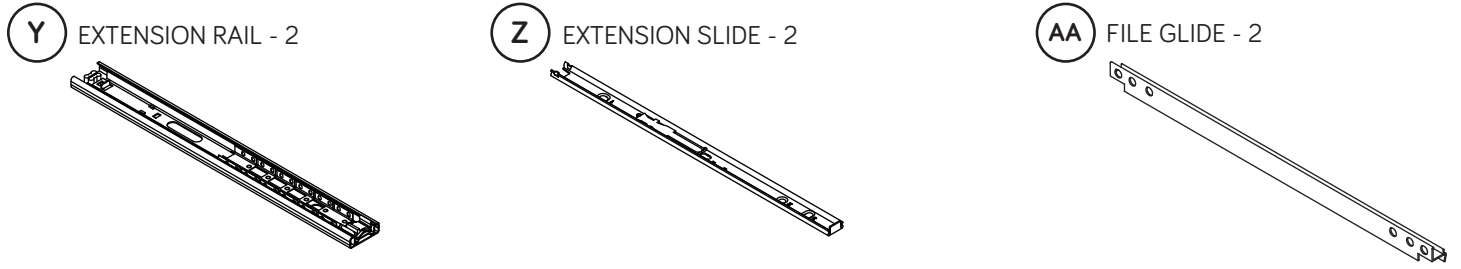
Now you know
our ABCs.



Hardware Identification

† Screws are shown actual size. You may receive extra hardware with your unit.

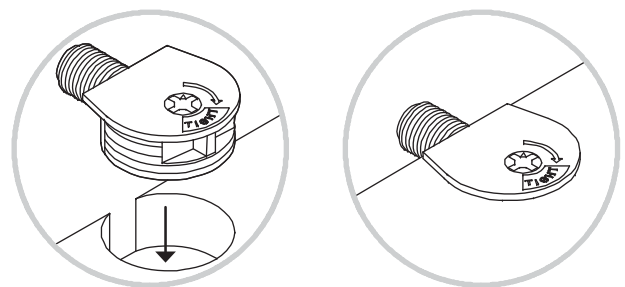
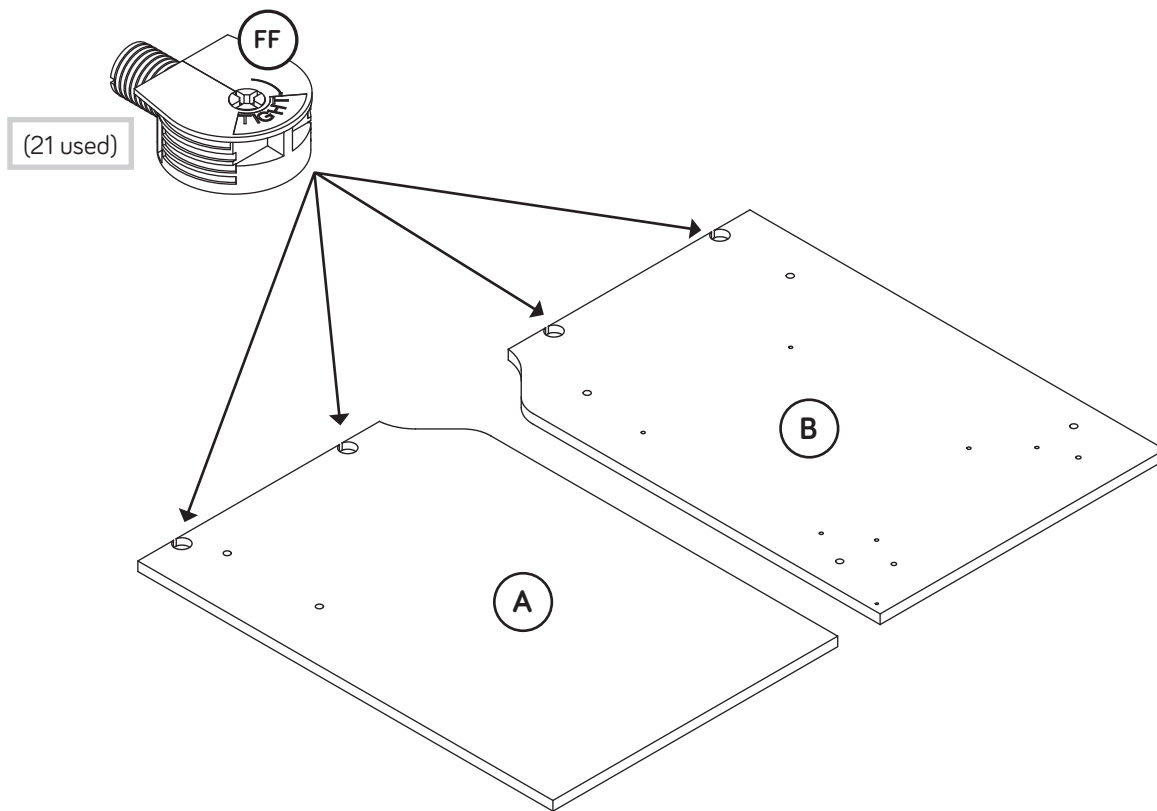
(EXTENSION SET SHOWN SEPARATED)



Step 1

- ✦ Assemble your unit on a carpeted floor or on the empty carton to avoid scratching your unit or the floor.
- ✦ To begin assembly, push a SAUDER TWIST-LOCK® FASTENER (FF) into the large holes in the RIGHT END (A) and LEFT END (B).
- ✦ Repeat this step for the UPRIGHTS (C, D, and E), MODESTY PANEL (H), SHELF (I), and both BRACES (L).

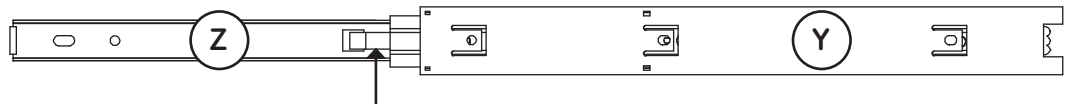
Do not tighten the TWIST-LOCK® FASTENERS in this step.



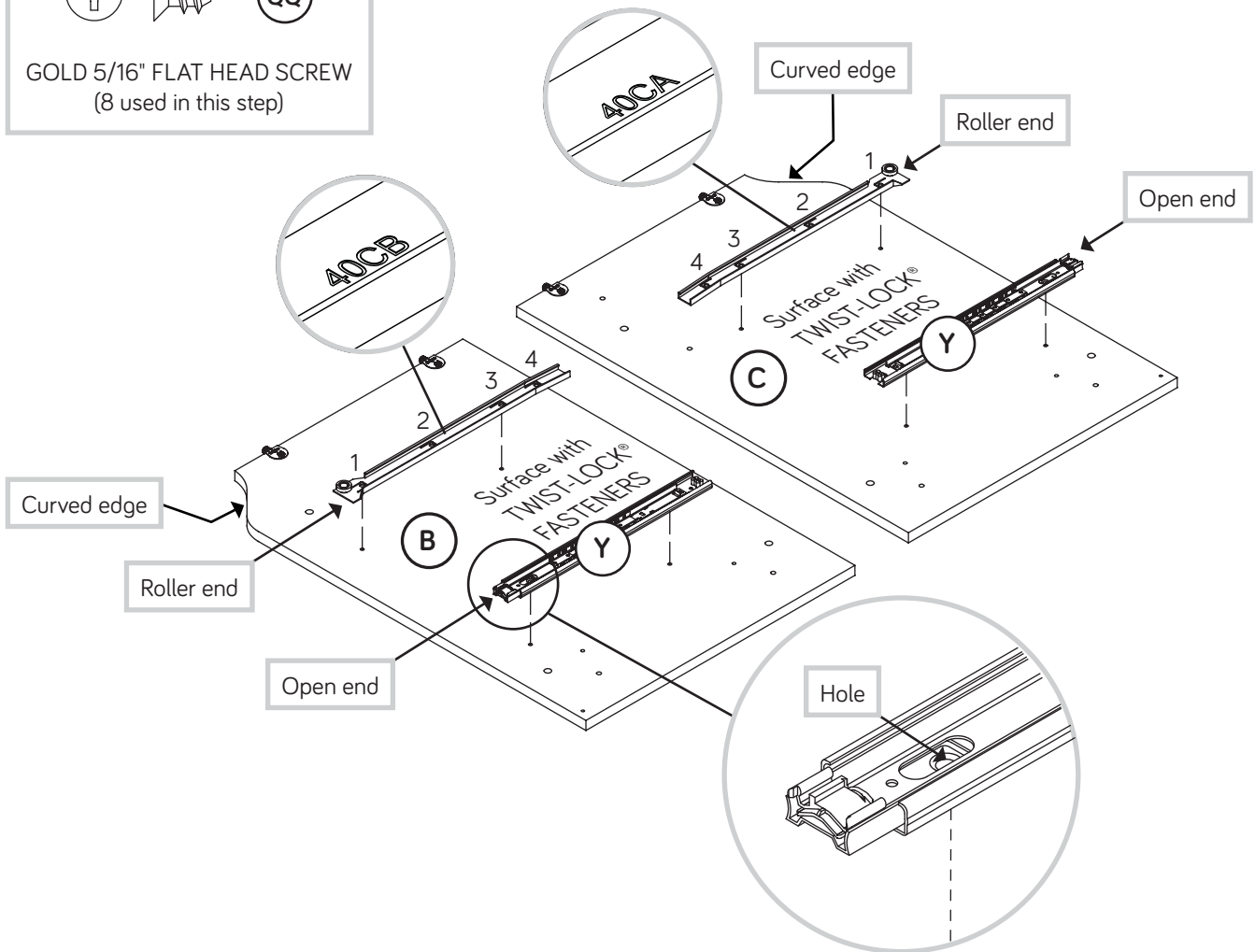
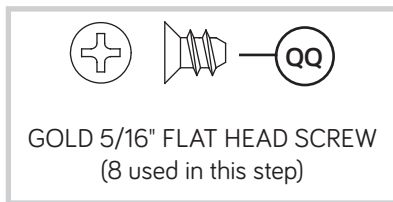
Step 2

- ✚ Separate the EXTENSION SLIDES (Z) from the EXTENSION RAILS (Y) as shown in the upper diagram below. Be prepared, the parts are greasy.
- ✚ Fasten an EXTENSION RAIL (Y) to the LEFT END (B) and UPRIGHT (C). Use four GOLD 5/16" FLAT HEAD SCREWS (QQ).
- ✚ **NOTE:** For each EXTENSION RAIL, turn a SCREW into the hole shown in the enlarged diagram. Then, slide the inner cartridge of the EXTENSION RAIL out to find the other hole that lines up with the hole in the END. Turn a SCREW into this hole.
- ✚ Fasten the CABINET RIGHT (40CA) and CABINET LEFT (40CB) to the LEFT END (B) and UPRIGHT (C). Use four GOLD 5/16" FLAT HEAD SCREWS (QQ).

 Remember:
Righty tighty.
Lefty loosey.



Push the black lever in and pull the SLIDE from the RAIL.



Step 3

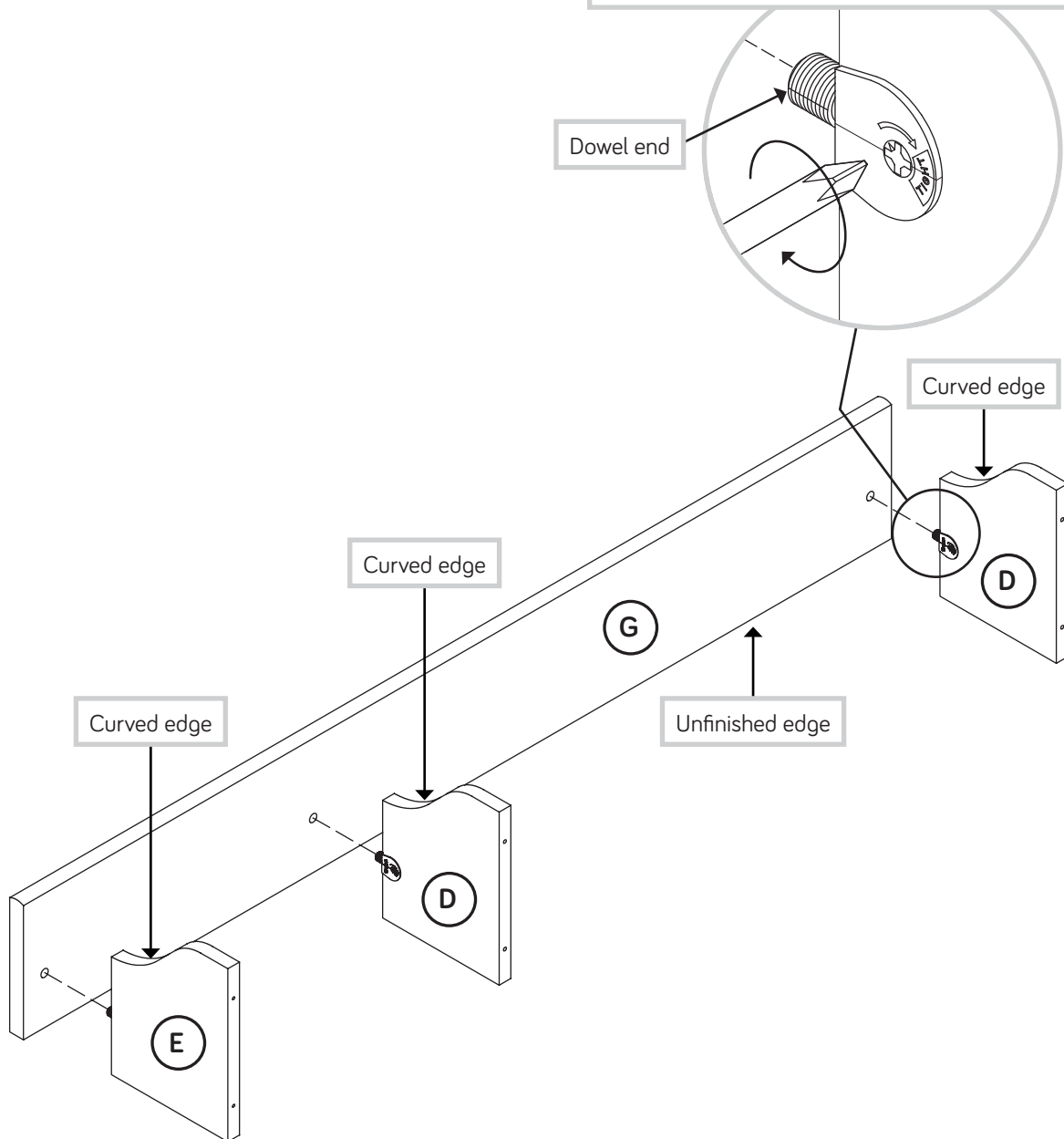
- Fasten the UPRIGHTS (D and E) to the HUTCH TOP (G).
Tighten three TWIST-LOCK® FASTENERS.

How to use the SAUDER TWIST-LOCK® FASTENER

1. Insert the dowel end of the FASTENER into the hole of the adjoining part.

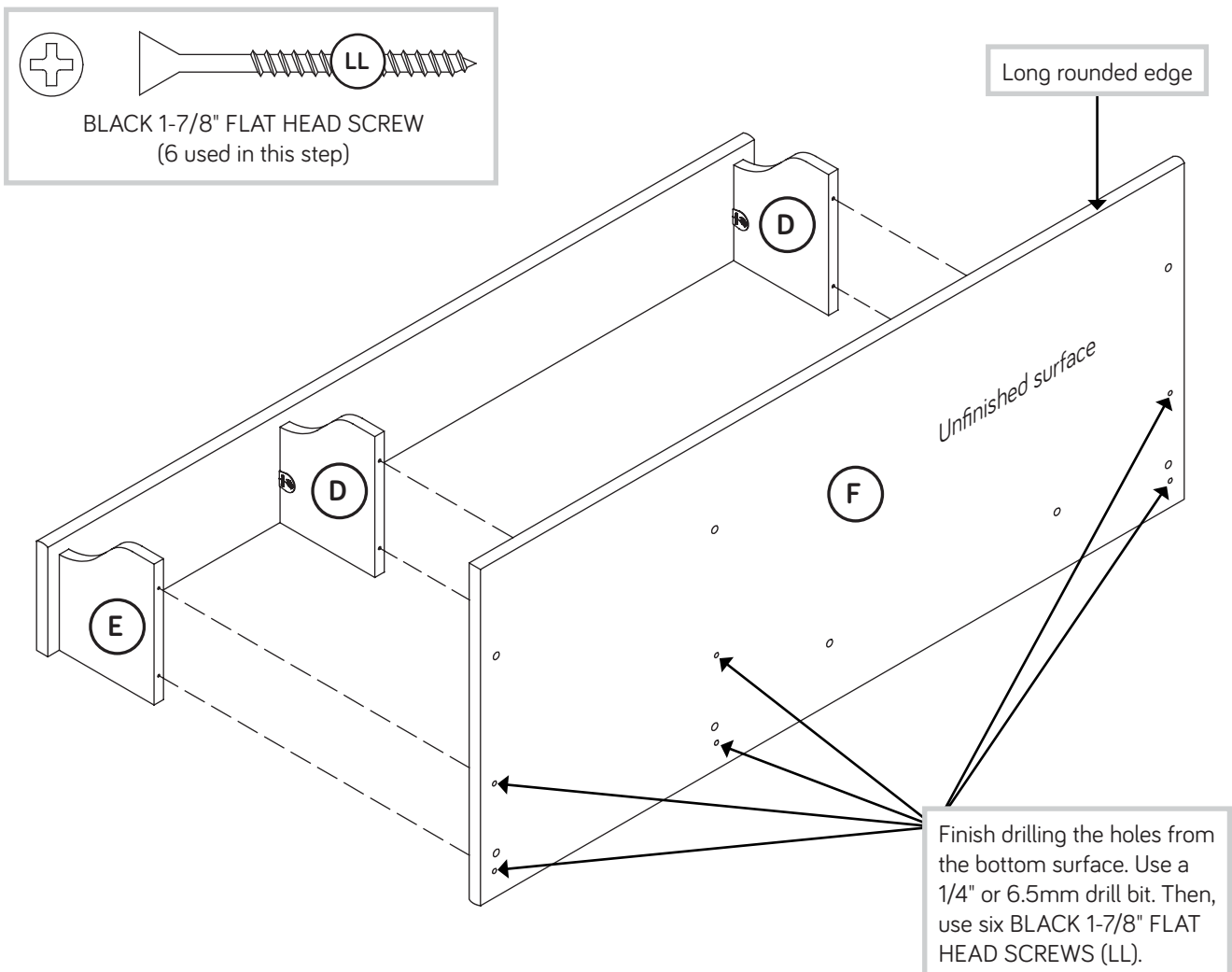
NOTE: The dowel end of the FASTENER must remain fully inserted in the hole of the adjoining part while locking the FASTENER.

2. Tighten the FASTENER with a Phillips screwdriver as tight as possible.



Step 4

- ✚ Finish drilling the six holes shown in the bottom surface of the TOP (F) using a 1/4" or 6.5mm drill bit.
- ✚ Next, fasten the TOP (F) to the UPRIGHTS (D and E). Use six BLACK 1-7/8" FLAT HEAD SCREWS (LL).

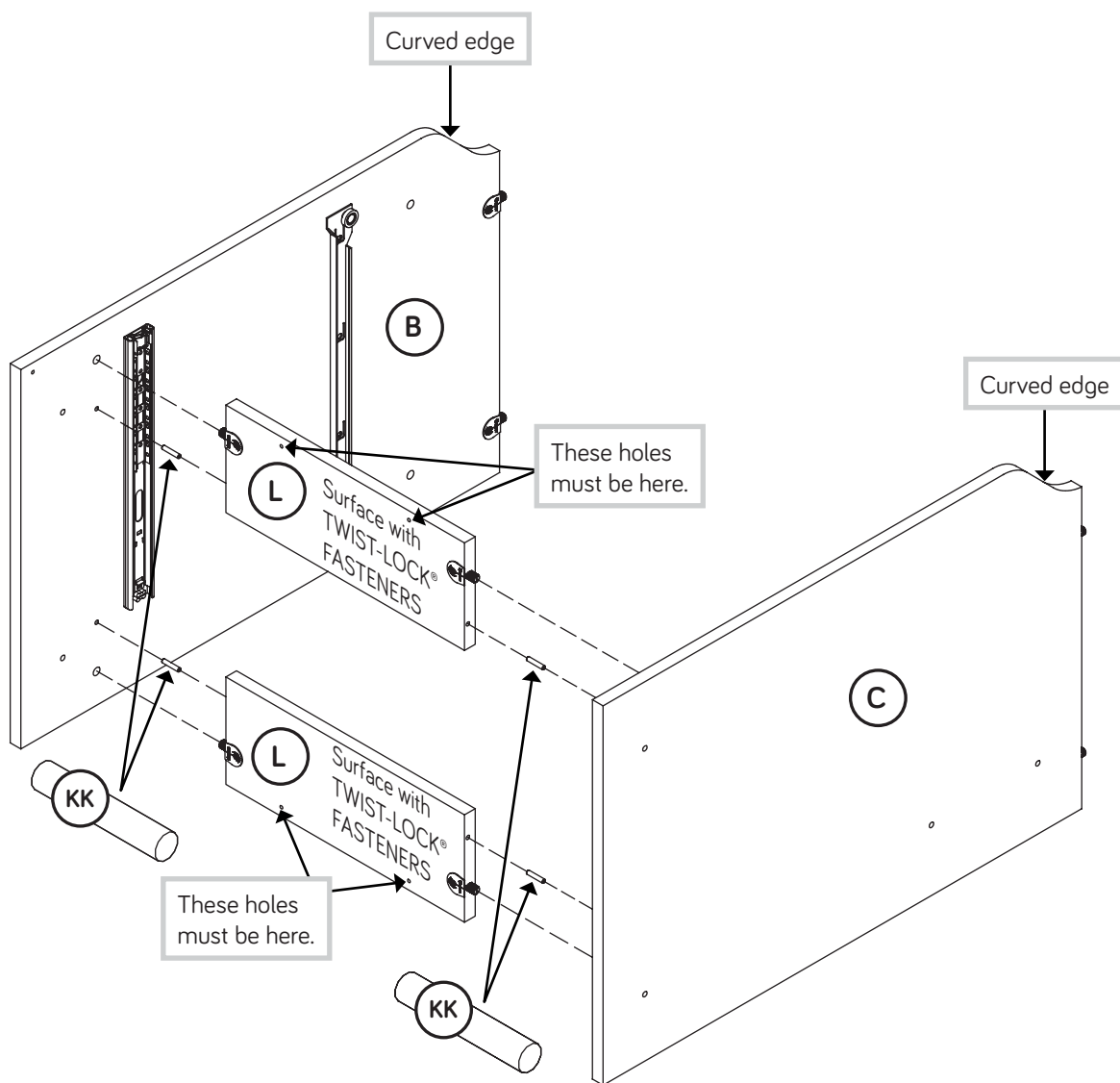


Step 5

- ✚ Insert four METAL PINS (KK) into the BRACES (L).
- ✚ Insert the METAL PINS (KK) in the ends of the BRACES (L) into the holes in the LEFT END (B) and UPRIGHT (C).
- ✚ Now, fasten the BRACES (L) to the LEFT END (B) and UPRIGHT (C). Tighten four TWIST-LOCK® FASTENERS.

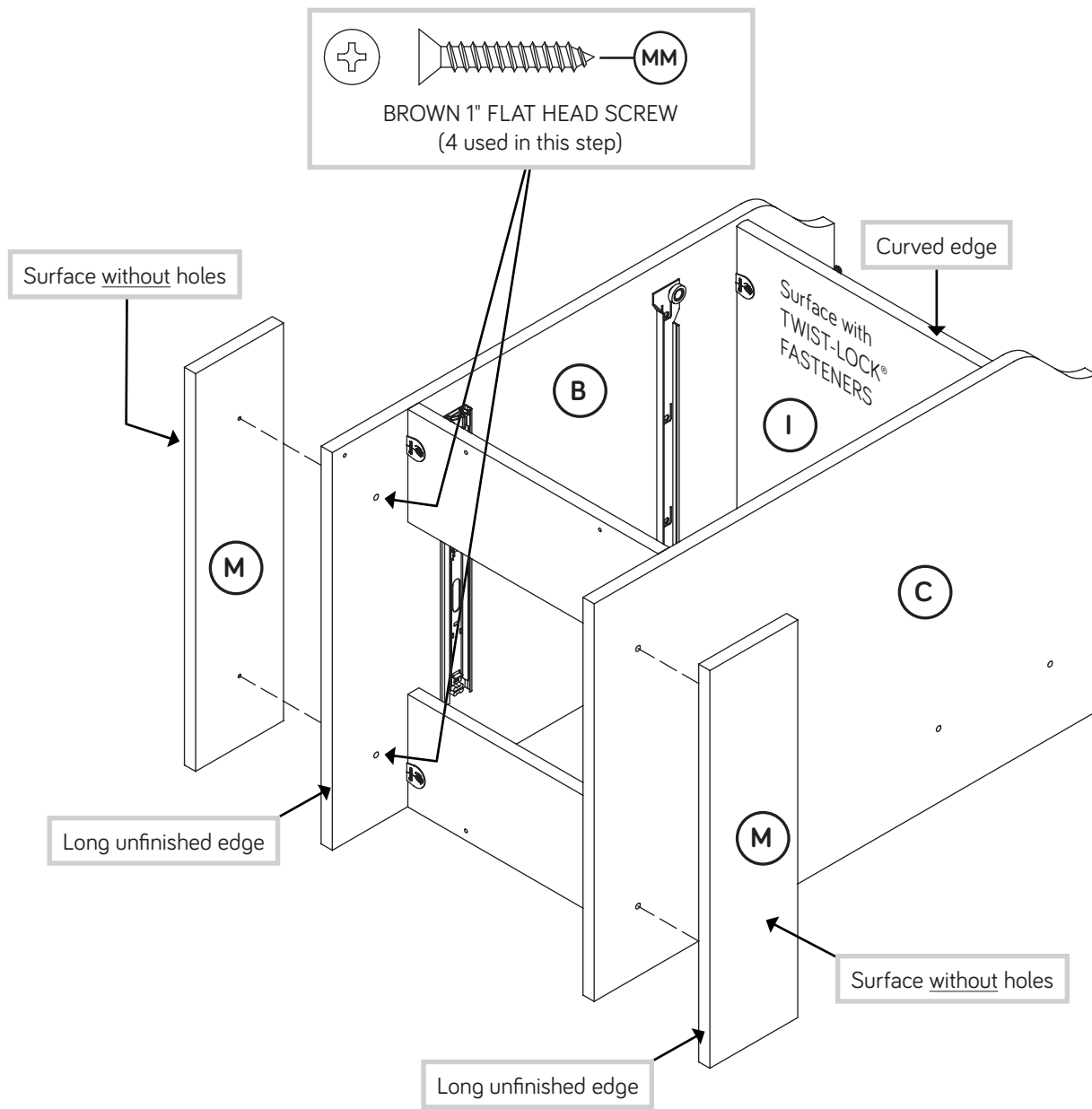


Do not stand the unit upright without the BACK fastened. The unit may collapse.



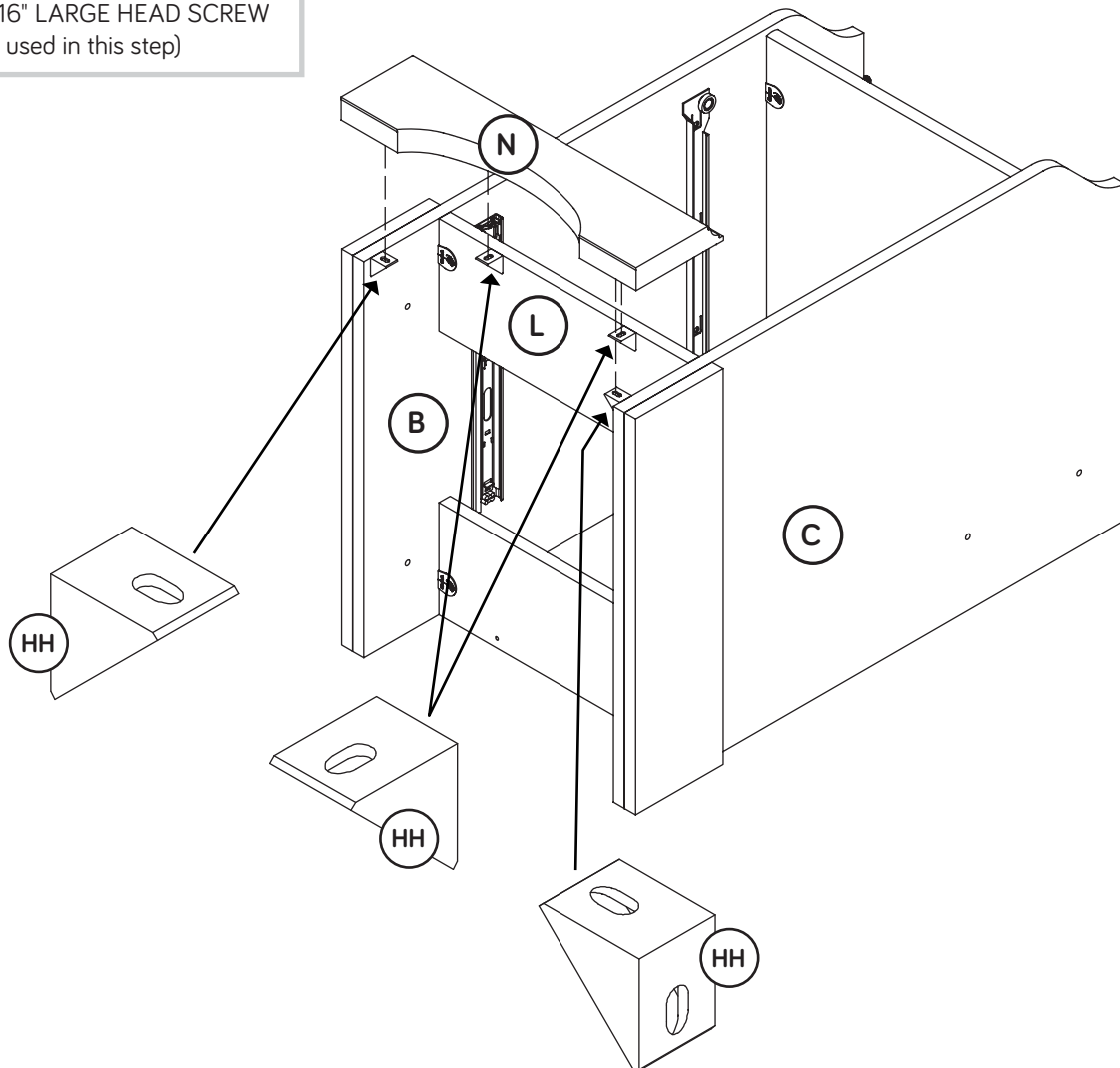
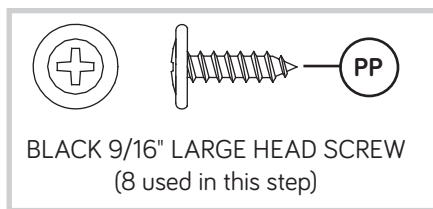
Step 6

- Fasten the SHELF (I) to the LEFT END (B) and UPRIGHT (C). Tighten four TWIST-LOCK® FASTENERS.
- Fasten the SIDE BASES (M) to the LEFT END (B) and UPRIGHT (C). Use four BROWN 1" FLAT HEAD SCREWS (MM).



Step 7

- Fasten four ANGLE BRACKETS (HH) to the LEFT END (B), UPRIGHT (C), and BRACE (L). Use four BLACK 9/16" LARGE HEAD SCREWS (PP).
- NOTE:** Be sure the edges of the ANGLE BRACKETS are even with the edges of the END, UPRIGHT, and BRACE.
- Fasten the BASE (N) to the LEFT END (B), UPRIGHT (C), and BRACE (L). Use four BLACK 9/16" LARGE HEAD SCREWS (PP).

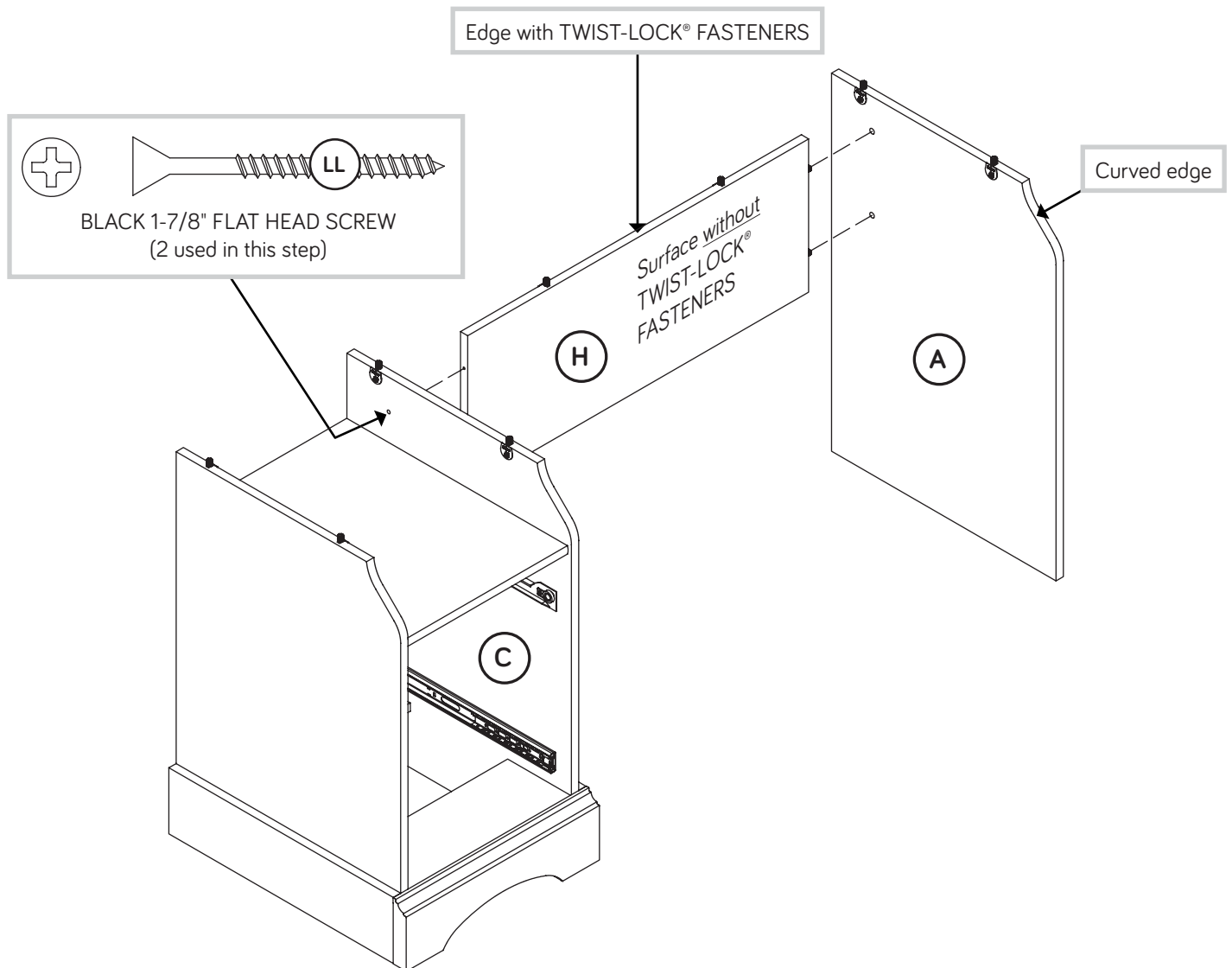


Step 8

- ⚡ Carefully stand the assembly upright.
- ⚡ Fasten the RIGHT END (A) to the MODESTY PANEL (H). Tighten two TWIST-LOCK® FASTENERS.
- ⚡ **NOTE:** Be sure to support the MODESTY PANEL until it is fastened to the UPRIGHT (C).
- ⚡ Fasten the MODESTY PANEL (H) to the UPRIGHT (C). Use two BLACK 1-7/8" FLAT HEAD SCREWS (LL).

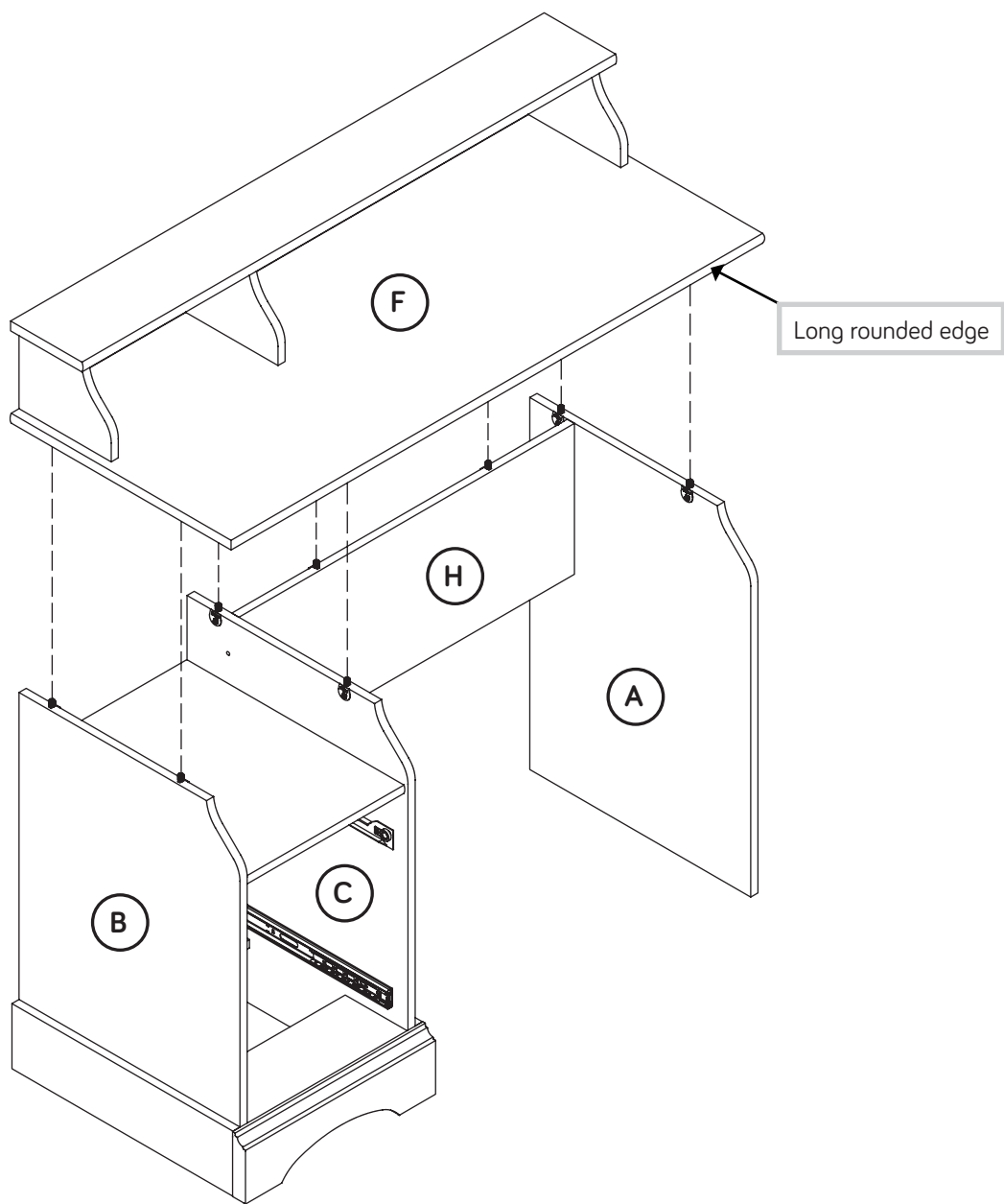


Pro Tip: Lift with your legs. And, you know, your arms.



Step 9

- ✚ You may need someone's help in this step.
- ✚ Fasten the TOP (F) to the ENDS (A and B), UPRIGHT (C), and MODESTY PANEL (H). Tighten eight TWIST-LOCK® FASTENERS.

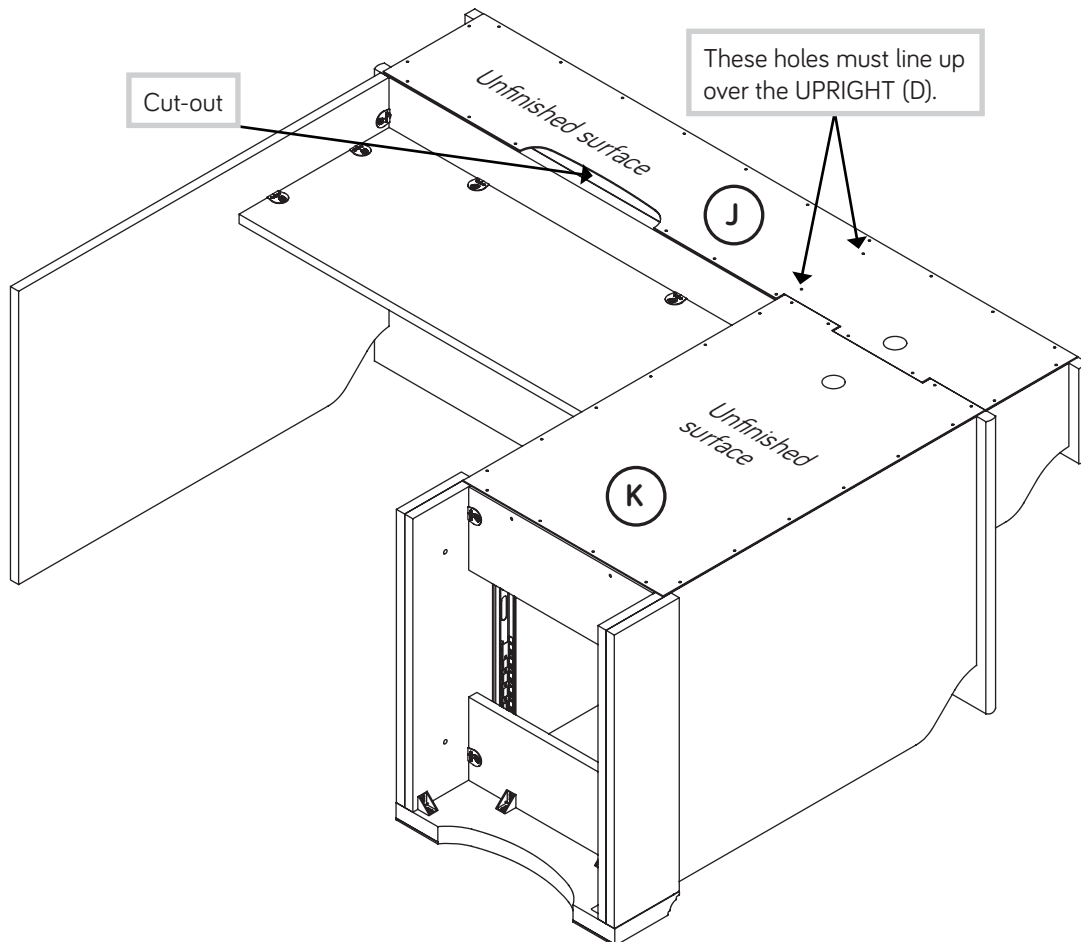


Step 10

- ✚ Carefully turn your unit over onto its front edges. Lay the BACKS (J and K) over your unit.
- ✚ Make equal margins along all four edges of the BACKS (J and K). Push on opposite corners of your unit if needed to make it "square".
- ✚ Fasten the BACKS (J and K) to your unit using the NAILS (RR).
- ✚ NOTE: Be sure to tap NAILS into the holes that line up over the UPRIGHT (D).
- ✚ NOTE: Perforations have been provided for access through the BACK. Carefully cut out the holes needed.



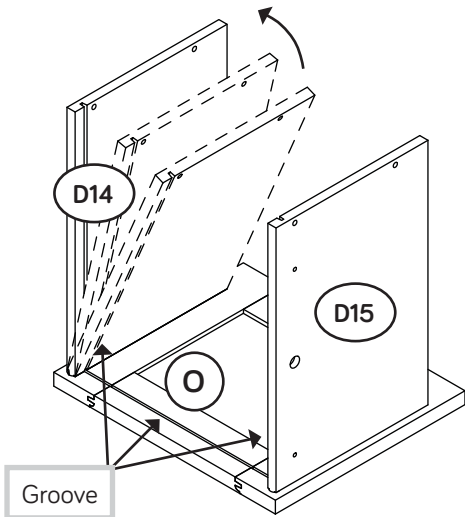
Do not stand the unit upright without the BACK fastened. The unit may collapse.



Step 11

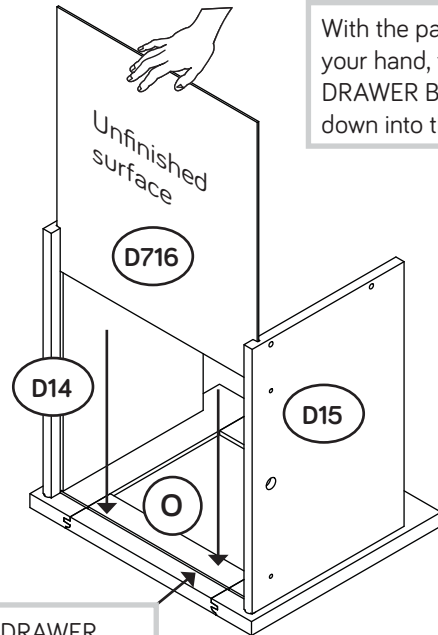
1

The tabs should insert freely into the slots. Gently tilt the DRAWER SIDES side to side until the tabs slip into the slots.



2

With the palm of your hand, tap the DRAWER BOTTOM down into the groove.

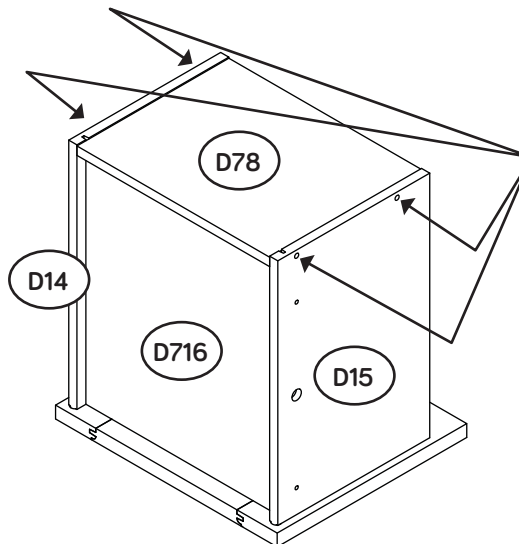


Be sure the DRAWER BOTTOM inserts into the DRAWER FRONT groove.

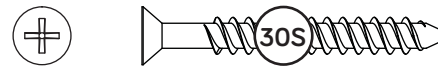
✚ Insert the LARGE DRAWER SIDES (D14 and D15) at an angle into the slot at each end of the LARGE DRAWER FRONT (O).

✚ Slide the DRAWER BOTTOM (D716) into the grooves in the LARGE DRAWER SIDES (D14 and D15) and LARGE DRAWER FRONT (O).

3



Start each screw a few turns before completely tightening any of them.



BLACK 1-9/16" FLAT HEAD SCREW
(8 used in this step)

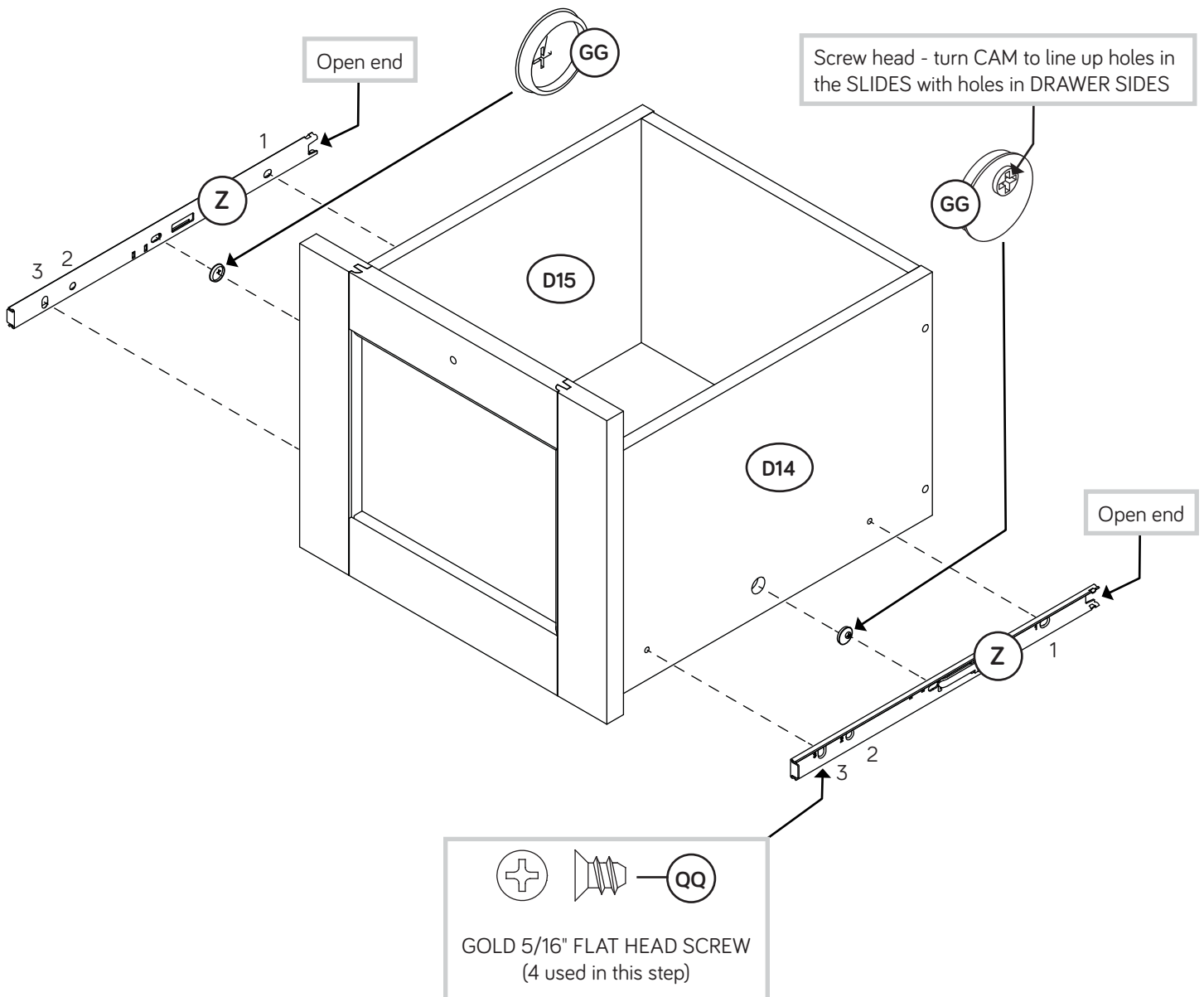
✚ Fasten the LARGE DRAWER BACK (D78) to the LARGE DRAWER SIDES (D14 and D15). Use four BLACK 1-9/16" FLAT HEAD SCREWS (30S).

✚ NOTE: Be sure the DRAWER BOTTOM (D716) inserts into the groove of the LARGE DRAWER BACK (D78).

✚ Repeat this step for the remaining drawer using the LARGE DRAWER BOTTOM (D707).

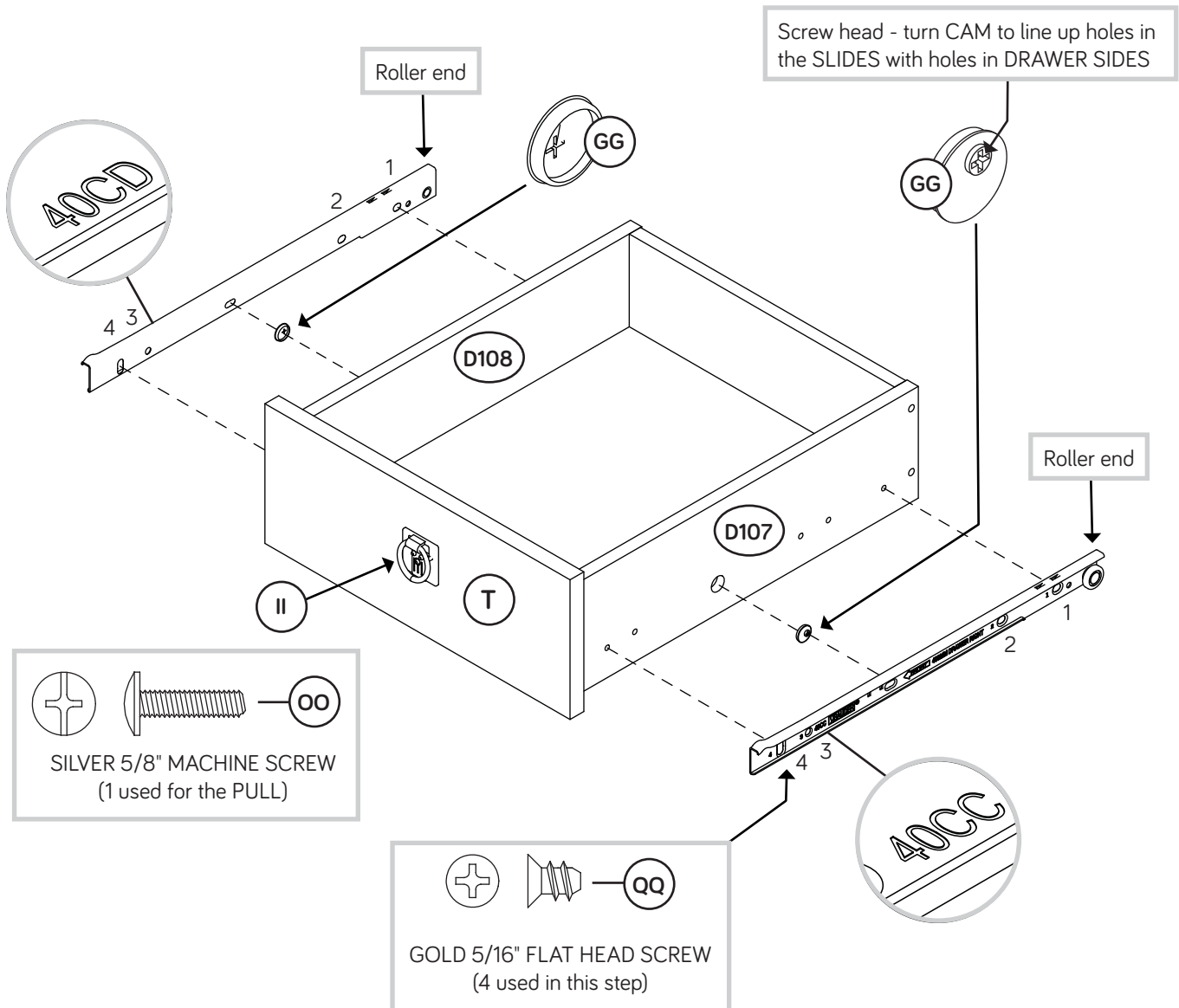
Step 12

- ✚ Insert the SLIDE CAMS (GG) into the large holes in the LARGE DRAWER SIDES (D14 and D15).
- ✚ Fasten the EXTENSION SLIDES (Z) to the LARGE DRAWER SIDES (D14 and D15). Use four GOLD 5/16" FLAT HEAD SCREWS (QQ) through holes #1 and #3.
- ✚ **NOTE:** The screw head in the CAM must be visible through the slotted hole in the SLIDE.



Step 13

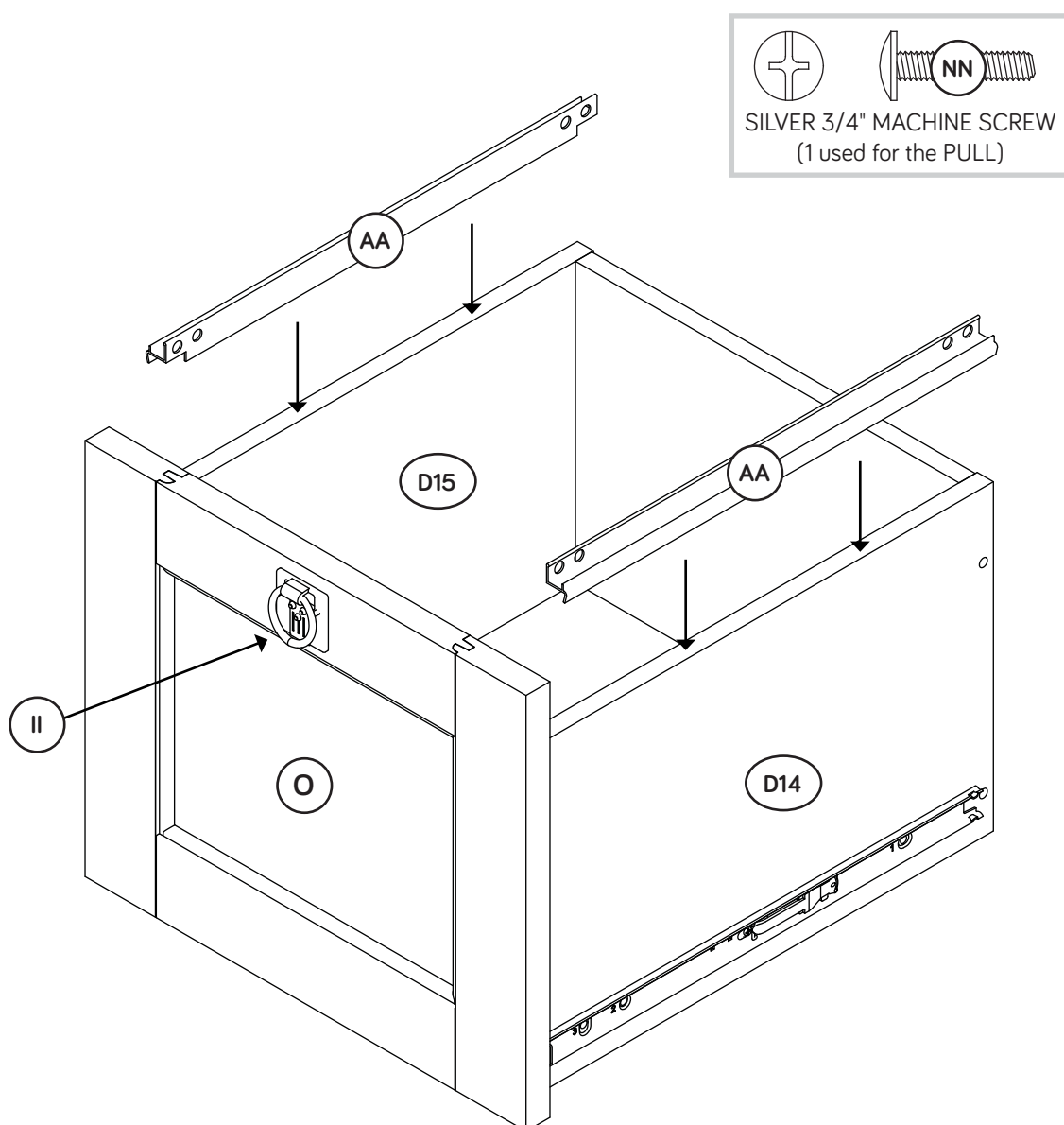
- ✦ Insert a SLIDE CAM (GG) into each DRAWER SIDE (D107 and D108).
- ✦ Fasten the DRAWER RIGHT (40CC) and DRAWER LEFT (40CD) to the DRAWER SIDES (D107 and D108). Use four GOLD 5/16" FLAT HEAD SCREWS (QQ) through holes #1 and #4.
- ✦ **NOTE:** The screw head in the CAM must be visible through the slotted hole in the SLIDE.
- ✦ Fasten a PULL (II) to the DRAWER FRONT (T). Use a SILVER 5/8" MACHINE SCREW (OO).



Step 14

Fasten a PULL (II) to the LARGE DRAWER FRONT (O). Use a SILVER 3/4" MACHINE SCREW (NN).

Push the FILE GLIDES (AA) onto the DRAWER SIDES (D14 and D15).

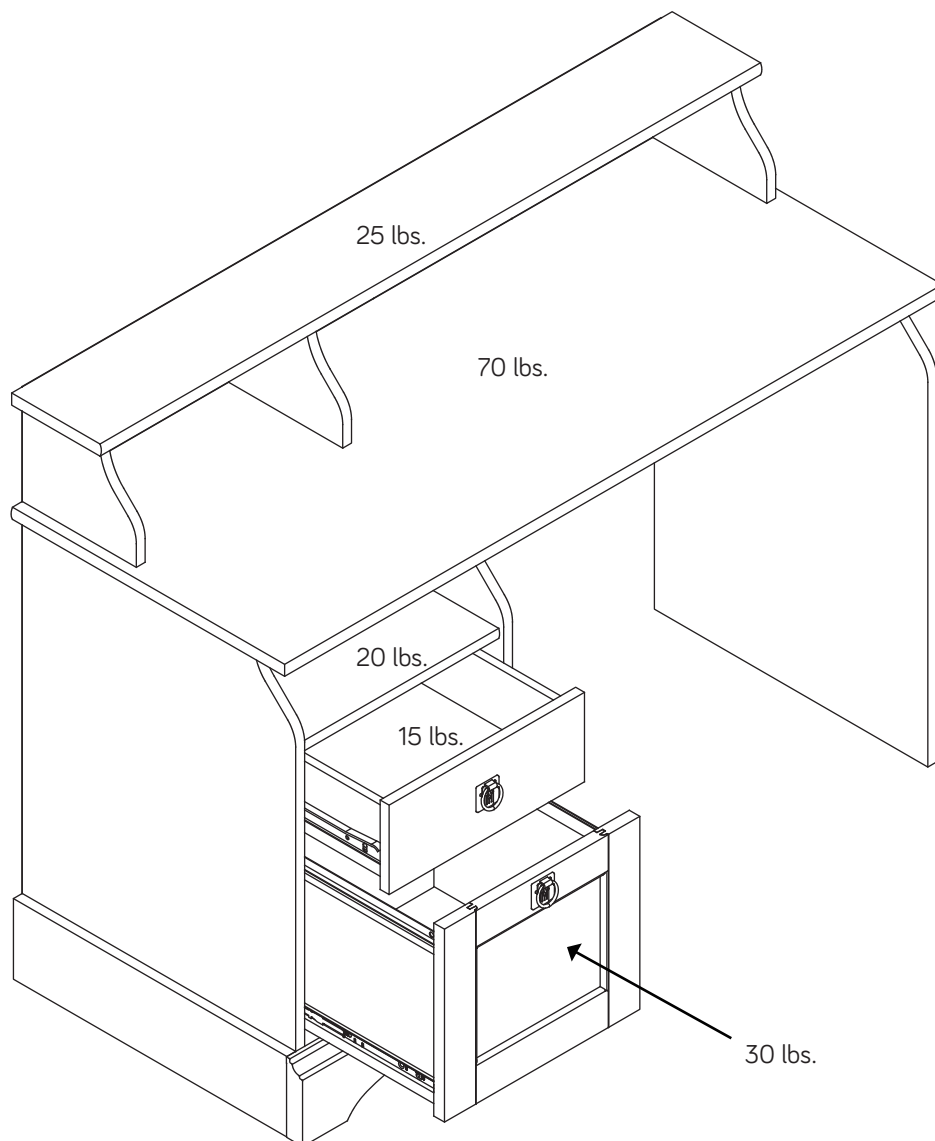


Step 15

- ✚ Carefully stand your unit upright.
- ✚ To insert the large drawer into your unit, line up the EXTENSION SLIDES on the drawer with the EXTENSION RAILS on the unit and push the drawer into the unit until the drawer is fully inserted. The drawer will push in hard until it is all the way in, then it will slide in and out easier.
- ✚ To insert the other drawer into your unit, tip the front of the drawer down and drop the rollers on the drawer behind the rollers on the unit. Lift the front of the drawer up and slide it into the unit.

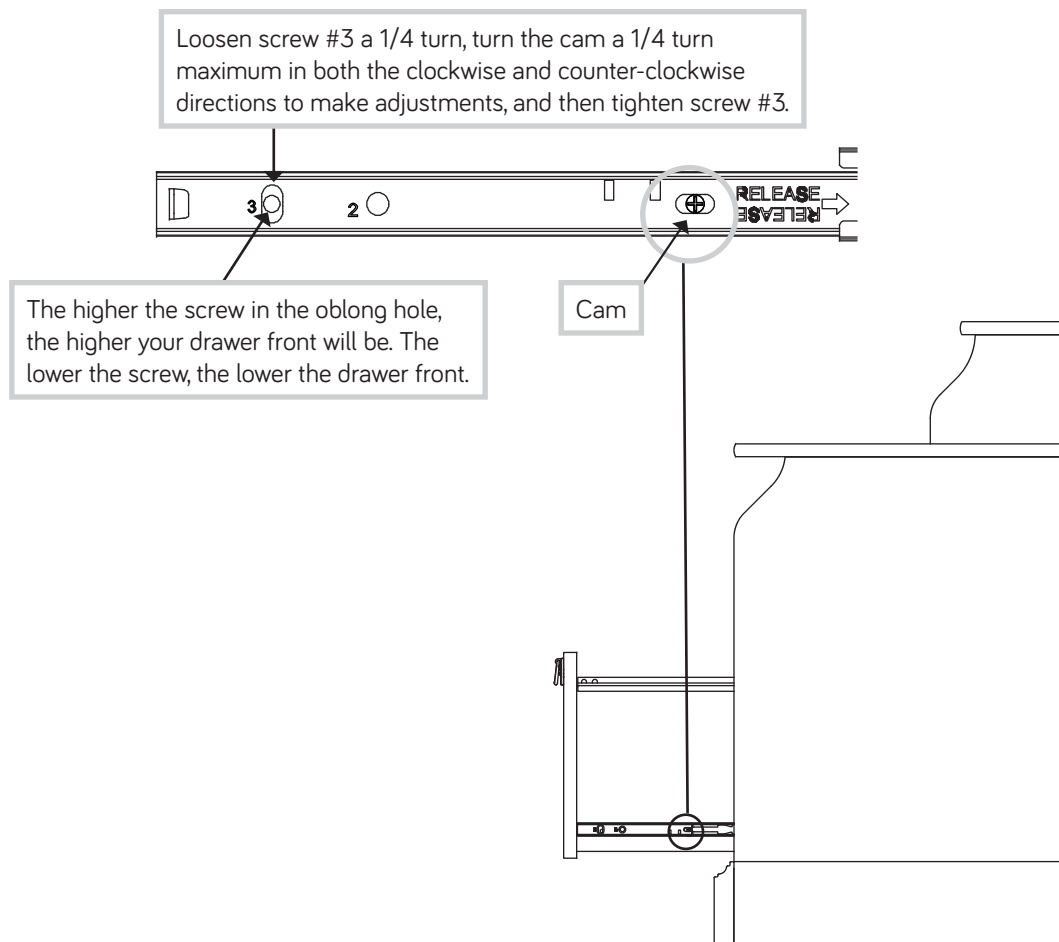


If you're doing this to help a friend, don't leave without a bite.



Step 16

- To make adjustments to the large drawer, loosen SCREW #3 (#4 in the top drawer) in the SLIDES a 1/4 turn, then turn the cam clockwise or counter-clockwise. Notice how the drawer raises or lowers as you turn the cam. By adjusting the drawers this way, it will help the DRAWER FRONTS line up better when closed. Tighten the SCREWS when finished with adjustments.
- NOTE:** Please read the back pages of the instruction booklet for important safety information.
- This completes assembly. To clean your unit, dampen a cloth with tap water and wipe.



⚠ WARNING

Please use your furniture correctly and safely. Improper use can cause safety hazards, or damage to your furniture or household items. *Carefully read the following chart.*

Look out for:	What can happen:	How to avoid the problem:
<ul style="list-style-type: none"> Overloaded shelves and drawers. Improper loading can cause the product to be top-heavy. 	<ul style="list-style-type: none"> Risk of injury. Top-heavy furniture can tip over. Overloaded shelves and drawers can break. 	<ul style="list-style-type: none"> Never exceed the weight limits shown in the instructions. Work from bottom to top when loading shelves and drawers. Place the heavier items on the lower shelves or in lower drawers.
<ul style="list-style-type: none"> Improperly moving furniture that is not designed and equipped with casters. 	<ul style="list-style-type: none"> Furniture can tip over or break if improperly moved. Physical injury. Furniture can be very heavy. Breakage of tops - particularly with double pedestal furniture (drawers at both ends). 	<ul style="list-style-type: none"> Unload shelves and drawers from top to bottom before moving the unit. Do not push furniture, especially on a carpeted floor. Have a friend help you lift the item and set it in place. Provide support to the center section of the top when lifting the furniture.
<ul style="list-style-type: none"> Placing TVs on furniture items that are not designed to support a television is hazardous. 	<ul style="list-style-type: none"> Risk of injury or death. TVs can be very heavy. Plus the weight and location of the picture tube tends to make TVs unbalanced and prone to tipping forward. 	<ul style="list-style-type: none"> This product is not designed to support a television.