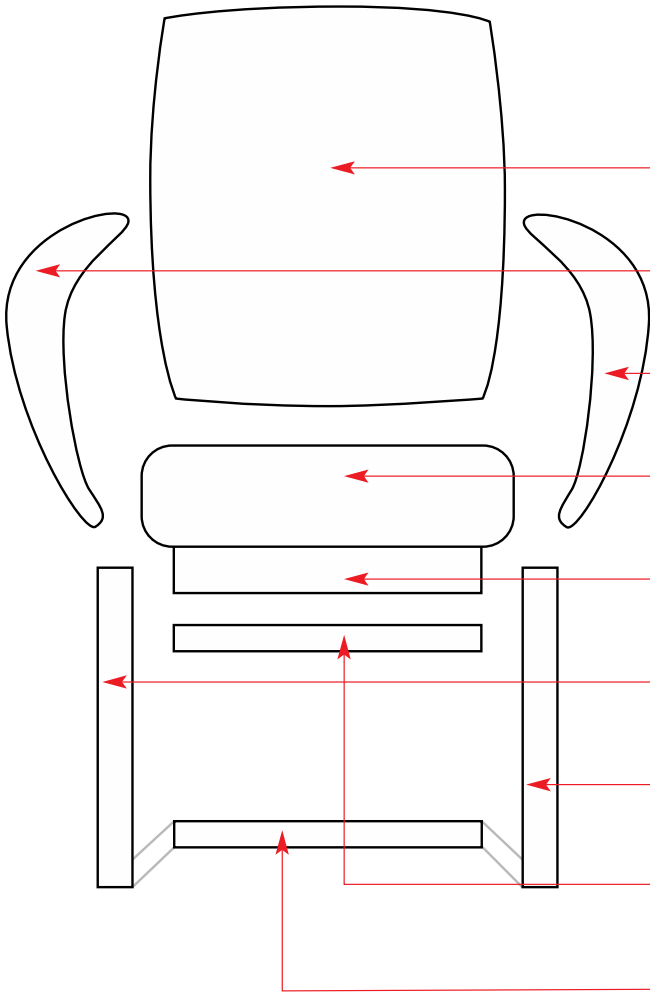


| | | |
|---------|----------------|-------------|
| PRODUCT | HOXTON VISITOR | 8519MS-LF01 |
|---------|----------------|-------------|



| | |
|-----------------------------|--------------------|
| BACKREST | Z148 |
| ARM <i>RH when seated</i> | Z091R |
| ARM <i>LH when seated</i> | Z091L |
| SEAT | Z1244 |
| UNDERSIDE FRAME | N/A |
| FRAME <i>RH when seated</i> | Z85 (Left + Right) |
| FRAME <i>LH when seated</i> | Z85 (Left + Right) |
| CROSS BAR <i>FRONT</i> | N/A |
| CROSS BAR <i>REAR</i> | Z185 |

| | |
|---------|---|
| FIXINGS | M6*8 x2 (middle bar), M6*22 x4 (seat), M6*25 x8 (arms), x8 arm caps |
|---------|---|

| | |
|--------------|-----|
| UNIQUE PARTS | N/A |
|--------------|-----|

| | |
|-------|--|
| NOTES | |
|-------|--|