

INDUSTRIAL STYLE BENCH DESK SINDOORI MANGO

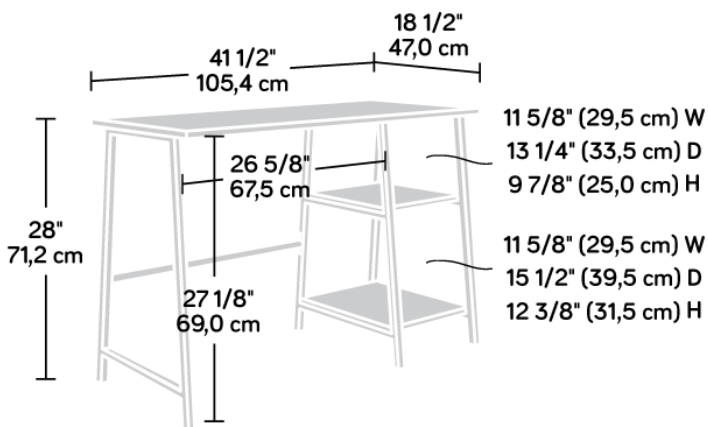
PRODUCT SHEET

FURNITURE



- Home office industrial style bench desk
 - Sharp, minimalist design
- Spacious work area finished in sindoori mango
 - Durable black metal frame
 - Two lower storage shelves
 - 360° all round finish, (can be freestanding)

Width	105.4 cm
Depth	47 cm
Height	71.2 cm
Carton Height	8.5 cm
Carton Width	112.5 cm
Carton Depth	52.5 cm
Box Volume	0.05 cbm
Weight (gross)	15 kg



N.B: All measurements are approximate