



Show **everyone** how smart **you** are.

## Industrial Style Chunky 4 Shelf Bookcase

| Model 5422095

**NOTE:** THIS INSTRUCTION BOOKLET CONTAINS **IMPORTANT** SAFETY INFORMATION.

PLEASE READ AND KEEP FOR FUTURE REFERENCE.

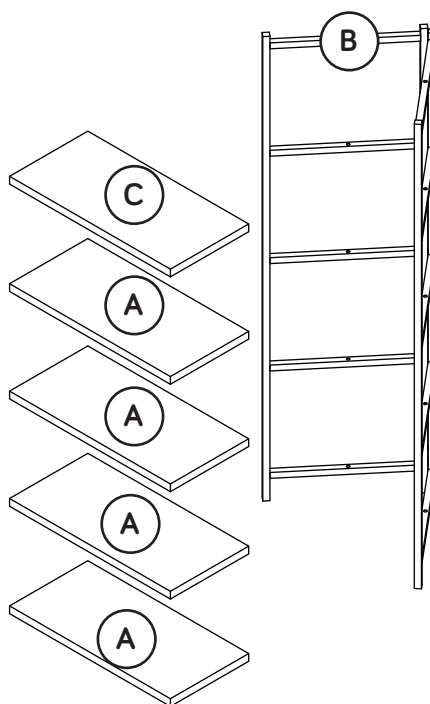
# Table of Contents

Part/Hardware Identification	2
Assembly Steps	3-6
Français	7
Español	8
Safety	9-10
Warranty	11

## Part Identification

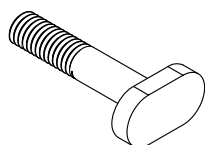
† Use this part identification to help identify the parts.

A	SHELF (4)
B	METAL FRAME (1)
C	TOP SHELF (1)

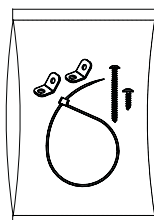


## Hardware Identification

1 FASTENER - 10

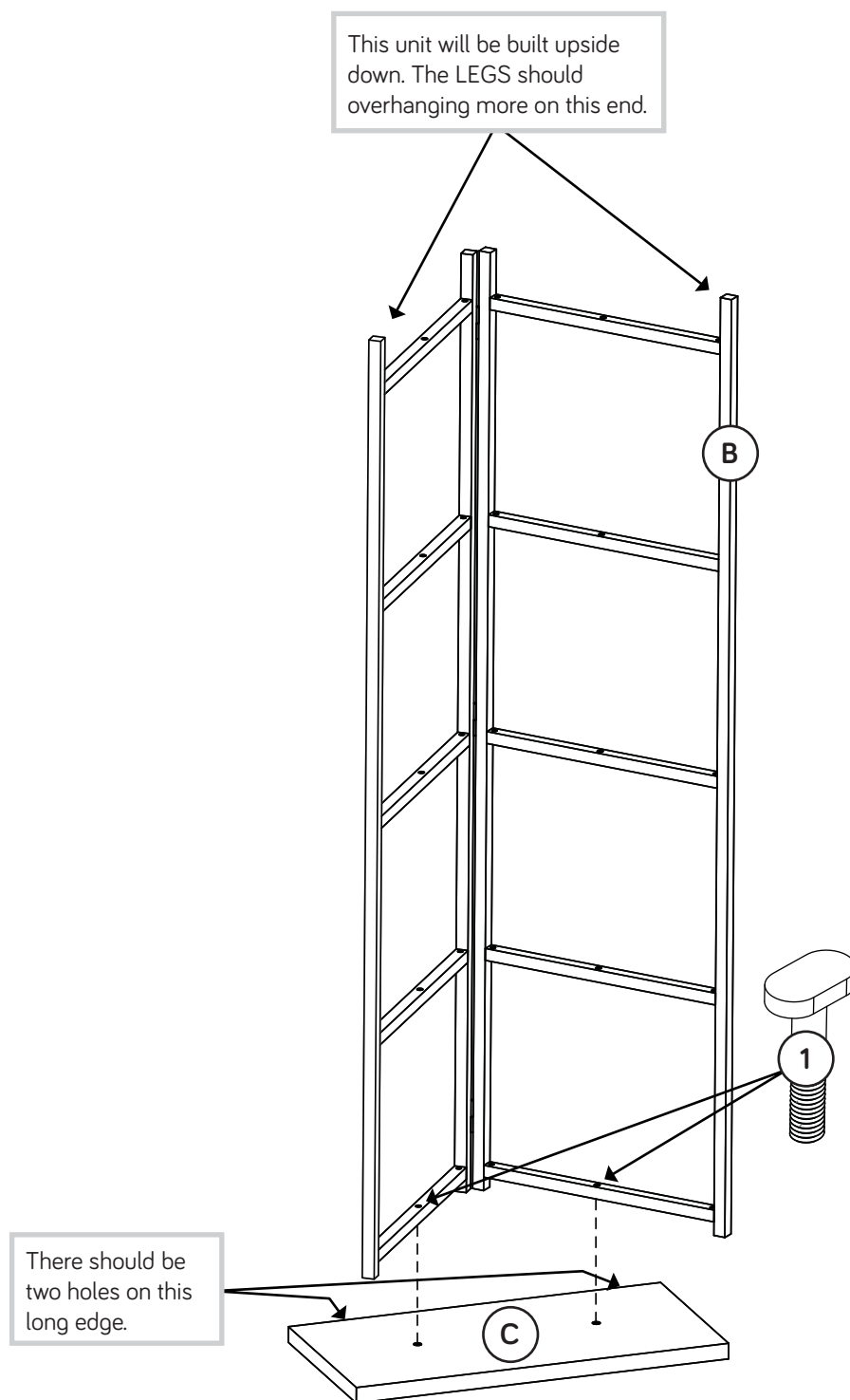


99 FURNITURE TIPPING RESTRAINT KIT - 2



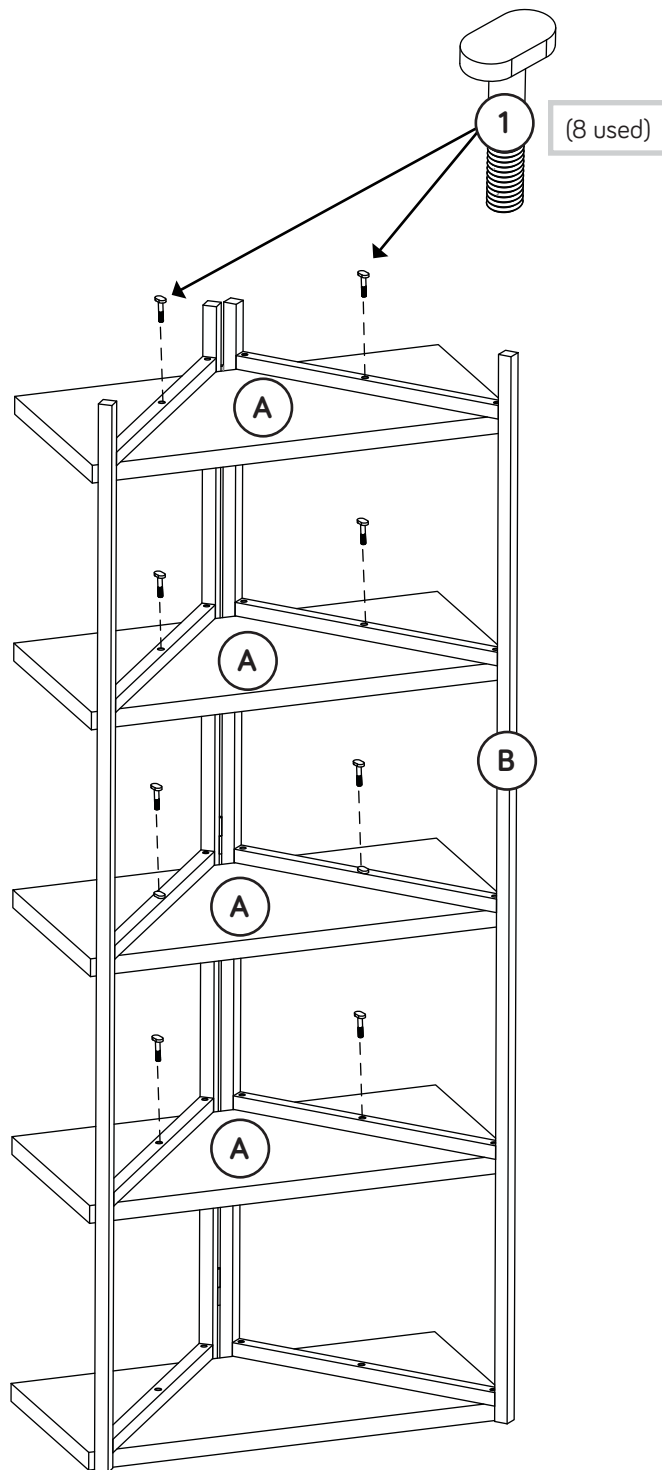
# Step 1

- ✚ Assemble your unit on a carpeted floor or on the empty carton to avoid scratching your unit or the floor.
- ✚ Unfold the METAL FRAME (B) upside down and fasten it to the TOP SHELF (C) as shown. Turn two FASTENERS (1) through the METAL FRAME and into the TOP SHELF (C).



# Step 2

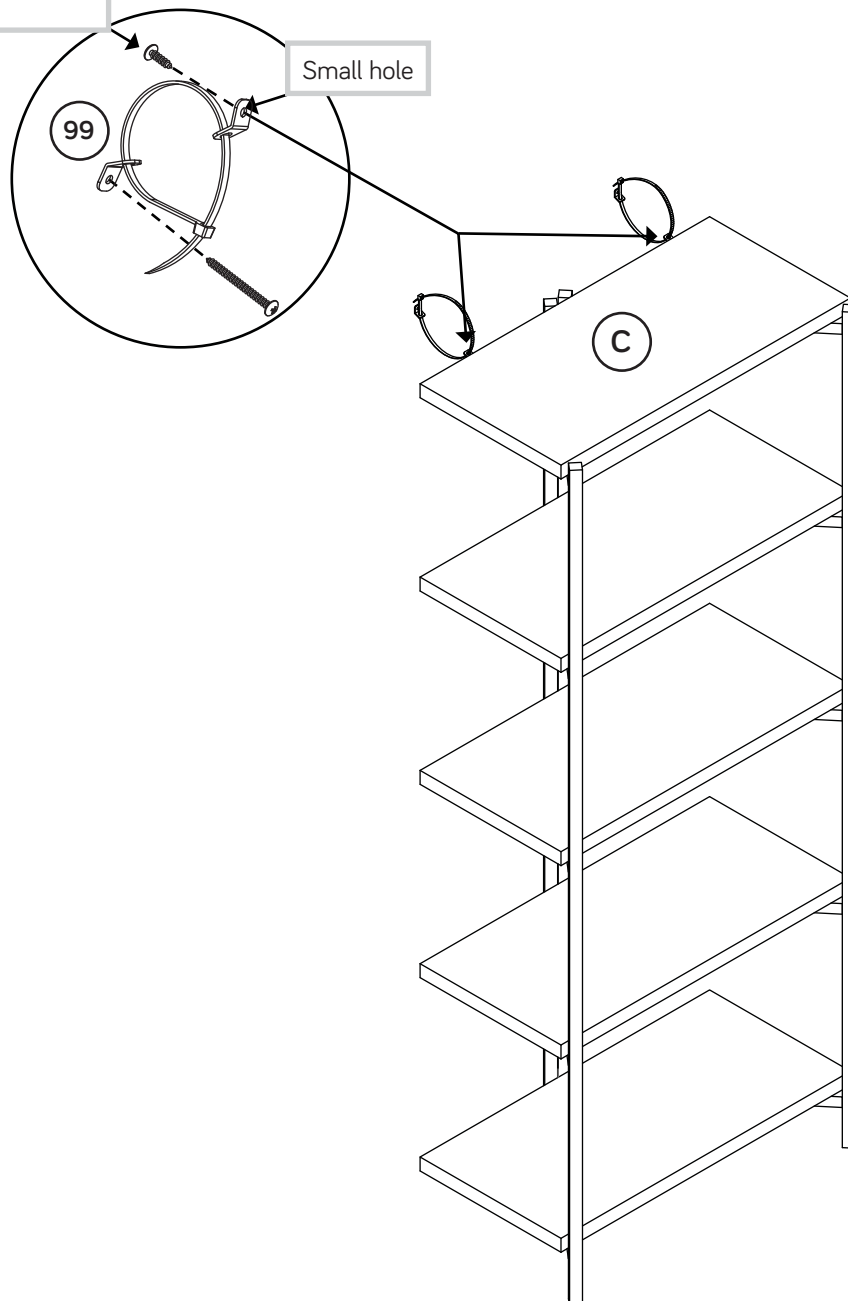
- Fasten the SHELVES (A) to the METAL FRAME (B). Turn eight FASTENERS (1) through the METAL FRAME and into the SHELVES (A).



# Step 3

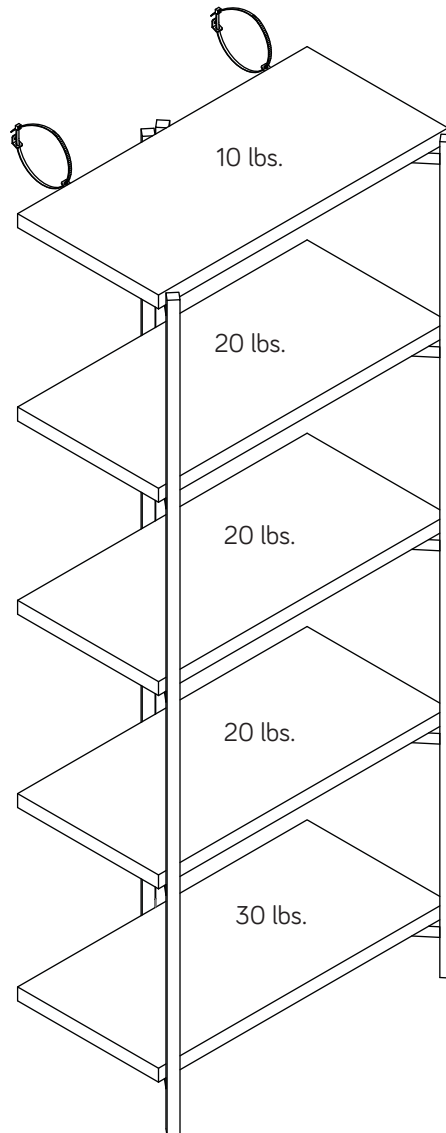
- ✚ Carefully stand your unit upright.
- ✚ We recommend using the FURNITURE TIPPING RESTRAINT KITS (99) for added stability. Fasten the brackets to the back edge of the TOP SHELF (C) using the 5/8" screw as shown.
- ✚ Place your unit in its final location against a wall.
- ✚ Follow the instructions included in the KIT to fasten your unit to the wall.

Use the 5/8" screw through the small hole in the bracket and into the back edge of the TOP SHELF (C).



# Step 4

- 🔌 **NOTE:** Please read the back pages of the instruction booklet for important safety information.
- 🔌 This completes assembly. Clean with your favorite furniture polish or a damp cloth. Wipe dry.



### **WARNING**

Please use your furniture correctly and safely. Improper use can cause safety hazards, or damage to your furniture or household items. **Carefully read the following chart.**

Look out for:	What can happen:	How to avoid the problem:
<ul style="list-style-type: none"><li>• Overloaded shelves.</li><li>• Improper loading can cause the product to be top-heavy.</li></ul>	<ul style="list-style-type: none"><li>• Risk of injury.</li><li>• Top-heavy furniture can tip over.</li><li>• Overloaded shelves can break.</li></ul>	<ul style="list-style-type: none"><li>• Never exceed the weight limits shown in the instructions.</li><li>• Work from bottom to top when loading shelves. Place the heavier items on the lower shelves.</li></ul>
<ul style="list-style-type: none"><li>• Improperly moving furniture that is not designed and equipped with casters.</li></ul>	<ul style="list-style-type: none"><li>• Furniture can tip over or break if improperly moved.</li><li>• Physical injury. Furniture can be very heavy.</li></ul>	<ul style="list-style-type: none"><li>• Unload shelves from top to bottom before moving the furniture.</li><li>• Do not push furniture, especially on a carpeted floor. Have a friend help you lift the item and set it in place.</li><li>• This unit must be positioned against a wall.</li></ul>
<ul style="list-style-type: none"><li>• Children climbing on the shelves can cause the product to tip.</li></ul>	<ul style="list-style-type: none"><li>• Risk of injury or death.</li></ul>	<ul style="list-style-type: none"><li>• Do not allow children to climb on the shelves. Avoid placing items like toys or candy on upper shelves.</li><li>• Use the supplied tipping restraint kit for added stability.</li></ul>
<ul style="list-style-type: none"><li>• Placing TVs on furniture items that are not designed to support a television is hazardous.</li></ul>	<ul style="list-style-type: none"><li>• Risk of injury or death. TVs can be very heavy. Plus the weight and location of the picture tube tends to make TVs unbalanced and prone to tipping forward.</li></ul>	<ul style="list-style-type: none"><li>• This product is not designed to support a television.</li></ul>