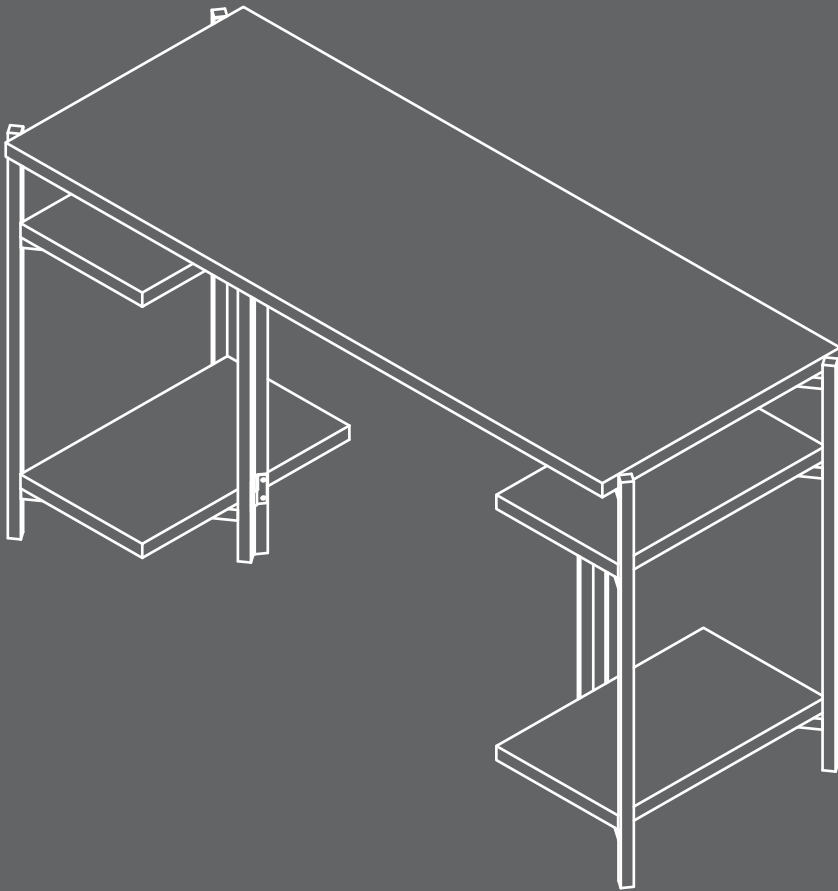


www.teknikoffice.co.uk

Teknik



For **all** your
newfangled **gadgetry**.

Industrial Style Chunky Desk

| Model 5422097

NOTE: THIS INSTRUCTION
BOOKLET CONTAINS **IMPORTANT**
SAFETY INFORMATION.

PLEASE READ AND KEEP FOR
FUTURE REFERENCE.

Be sure to give us a ring before
making any returns. 1-800-445-1527

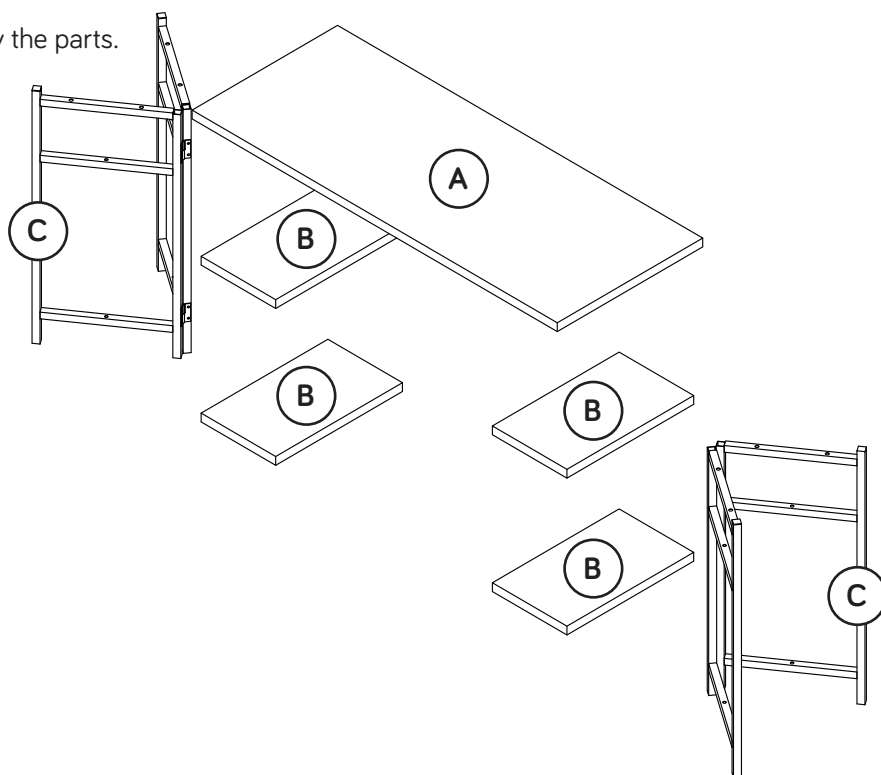
Table of Contents

Part/Hardware Identification	2
Assembly Steps	3-5
Français	6
Español	7
Safety	8-10
Warranty	11

Part Identification

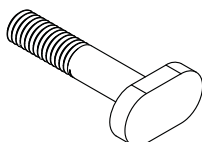
† Use this part identification to help identify the parts.

A	TOP (1)
B	SHELF (4)
C	METAL FRAME (2)



Hardware Identification

1 FASTENER - 16

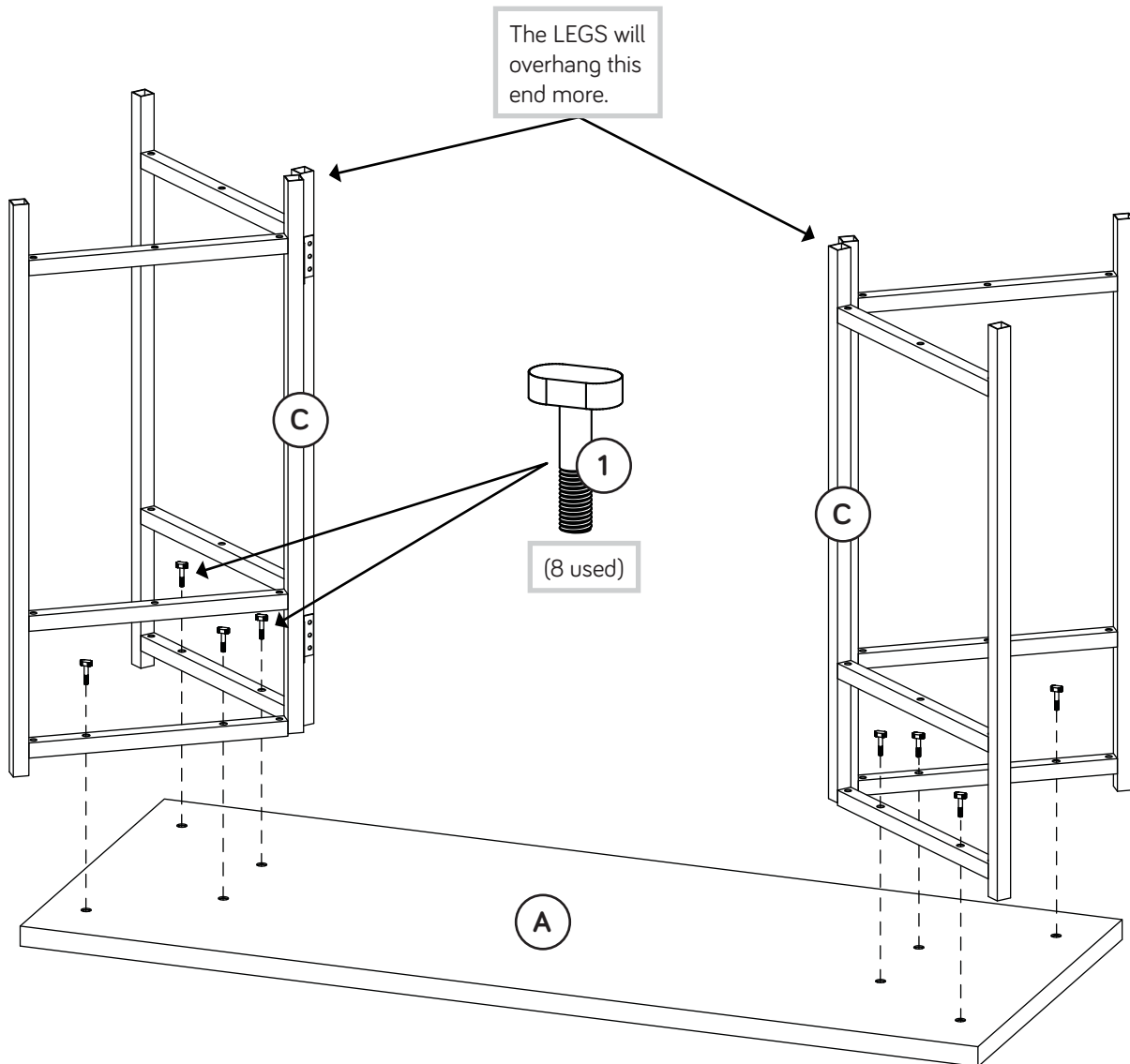


Step 1

- ✚ Assemble your unit on a carpeted floor or on the empty carton to avoid scratching your unit or the floor.
- ✚ Fasten two METAL FRAMES (C) to the TOP (A). Turn eight FASTENERS (1) through the METAL FRAMES and into the TOP.



Just think. The sooner you do this, the sooner you do something else.

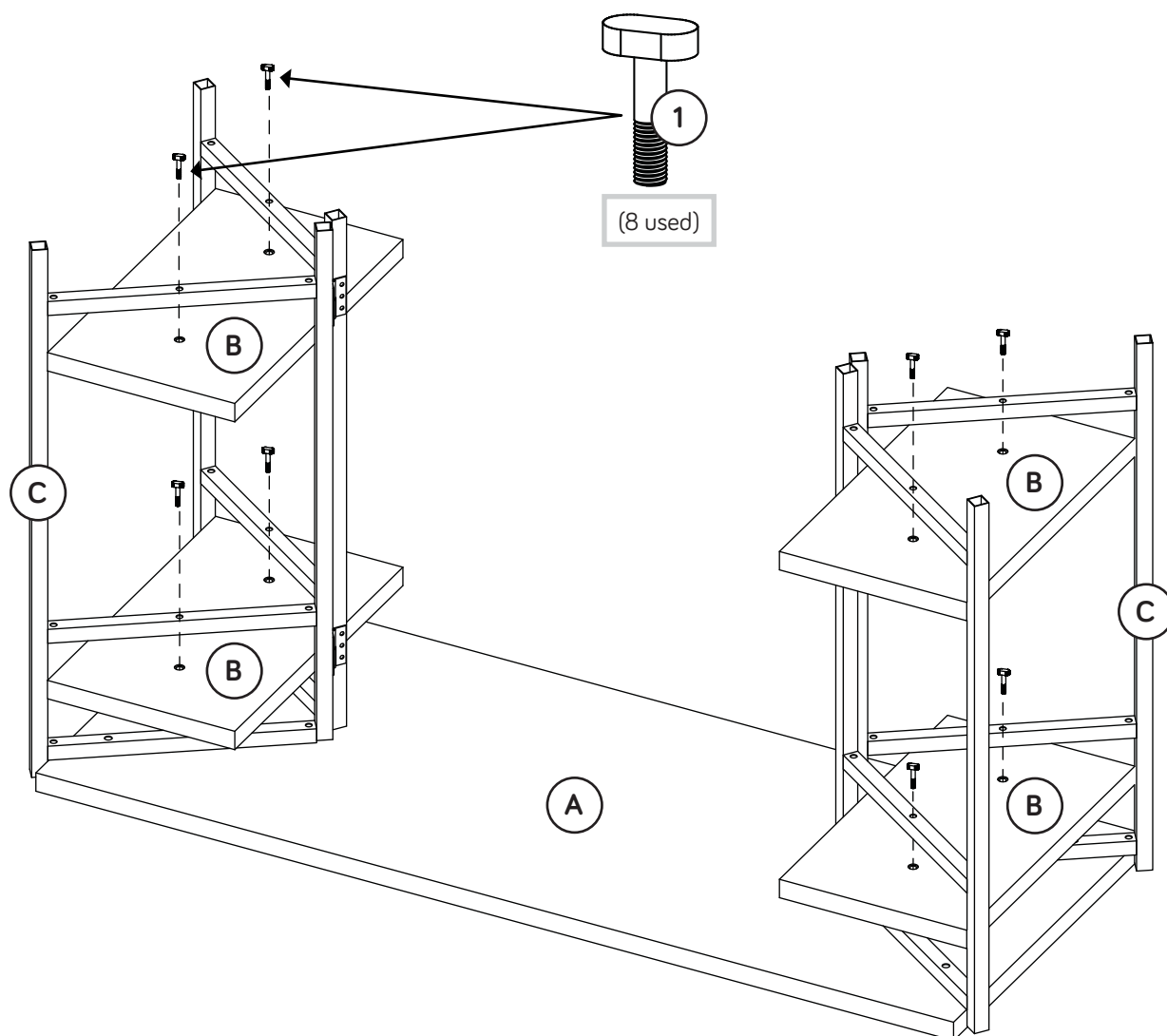


Step 2

Fasten the SHELVES (B) to the METAL FRAMES (C). Turn eight FASTENERS (1) through the METAL FRAMES and into the SHELVES.

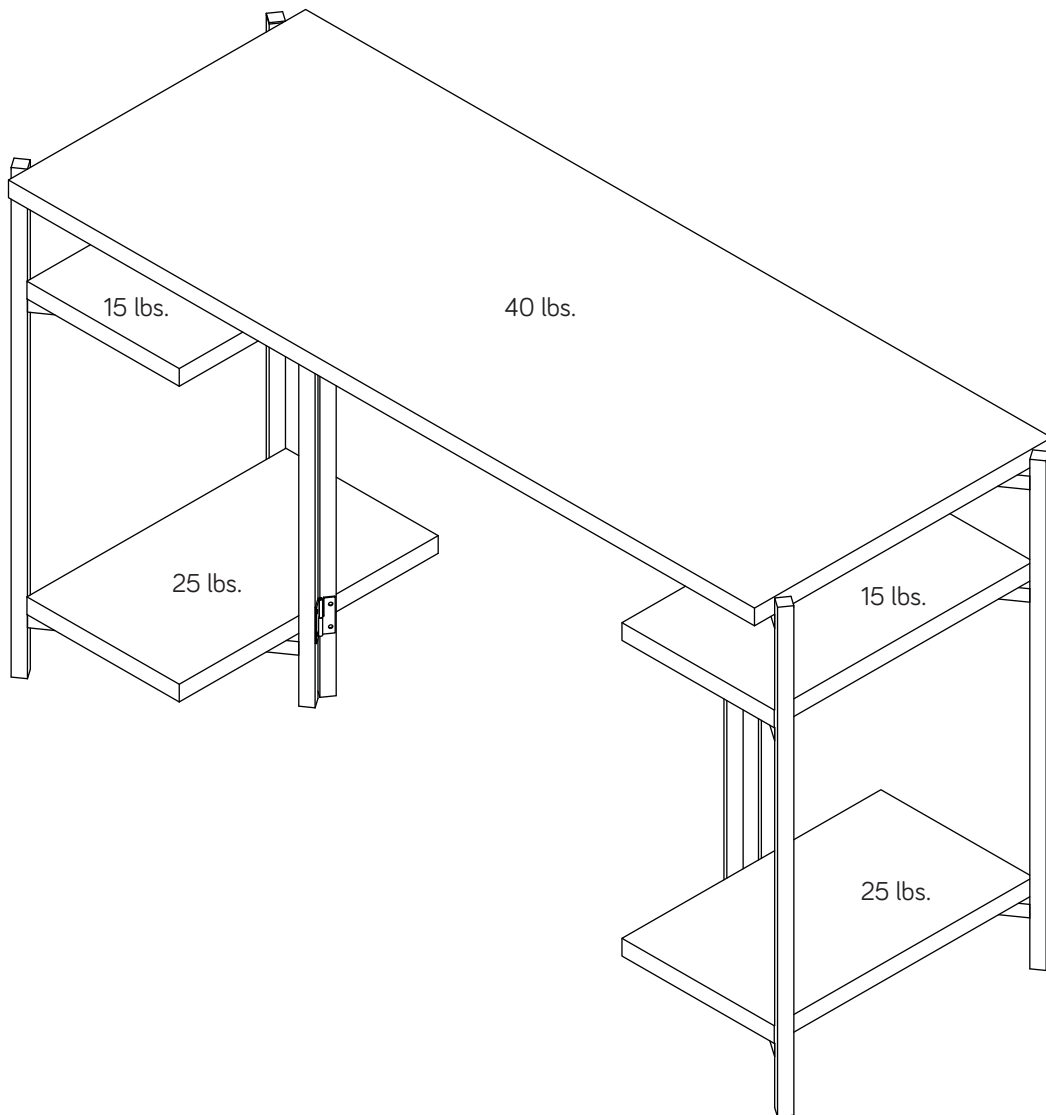


Hey! It's starting to look like something!



Step 3

- ✚ Carefully stand your unit upright.
- ✚ **NOTE:** Please read the back pages of the instruction booklet for important safety information.
- ✚ This completes assembly. Clean with a damp cloth. Wipe dry.



⚠ WARNING

Please use your furniture correctly and safely. Improper use can cause safety hazards, or damage to your furniture or household items. ***Carefully read the following chart.***

Look out for:	What can happen:	How to avoid the problem:
<ul style="list-style-type: none">• Overloaded shelves or drawers.• Improper loading can cause the product to be top-heavy.	<ul style="list-style-type: none">• Risk of injury.• Top-heavy furniture can tip over.• Overloaded shelves and drawers can break.	<ul style="list-style-type: none">• Never exceed the weight limits shown in the instructions.• Work from bottom to top when loading shelves and drawers. Place the heavier items on the lower shelves or in lower drawers.
<ul style="list-style-type: none">• Improperly moving furniture that is not designed and equipped with casters.	<ul style="list-style-type: none">• Furniture can tip over or break if improperly moved.• Physical injury. Furniture can be very heavy.• Breakage of tops - particularly with double pedestal furniture (drawers at both ends).	<ul style="list-style-type: none">• Unload shelves and drawers from top to bottom before moving the unit.• Do not push furniture, especially on a carpeted floor. Have a friend help you lift the item and set it in place.• Provide support to the center section of the top when lifting the furniture.
<ul style="list-style-type: none">• Placing TVs on furniture items that are not designed to support a television is hazardous.	<ul style="list-style-type: none">• Risk of injury or death. TVs can be very heavy. Plus the weight and location of the picture tube tends to make TVs unbalanced and prone to tipping forward.	<ul style="list-style-type: none">• This product is not designed to support a television.