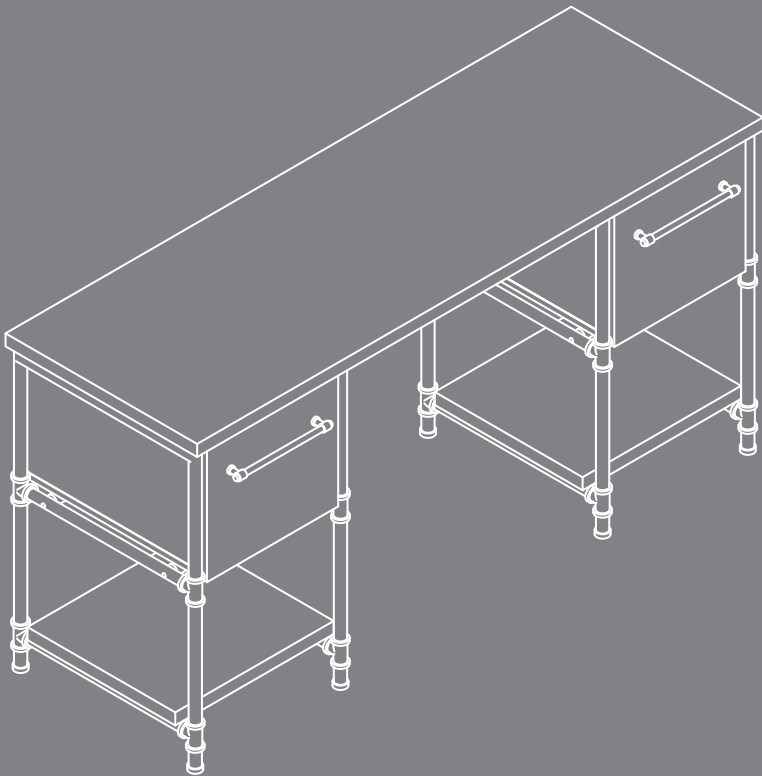


www.teknikoffice.co.uk

Teknik



For **all** your
newfangled **gadgetry**.

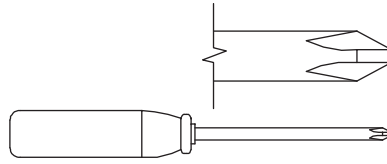
Iron Foundry Double Pedestal Desk

Model 5427134

Table of Contents

Assembly Tools Required

Part Identification	3
Hardware Identification	4
Assembly Steps	5-16



No. 2 Phillips Screwdriver
Tip Shown Actual Size

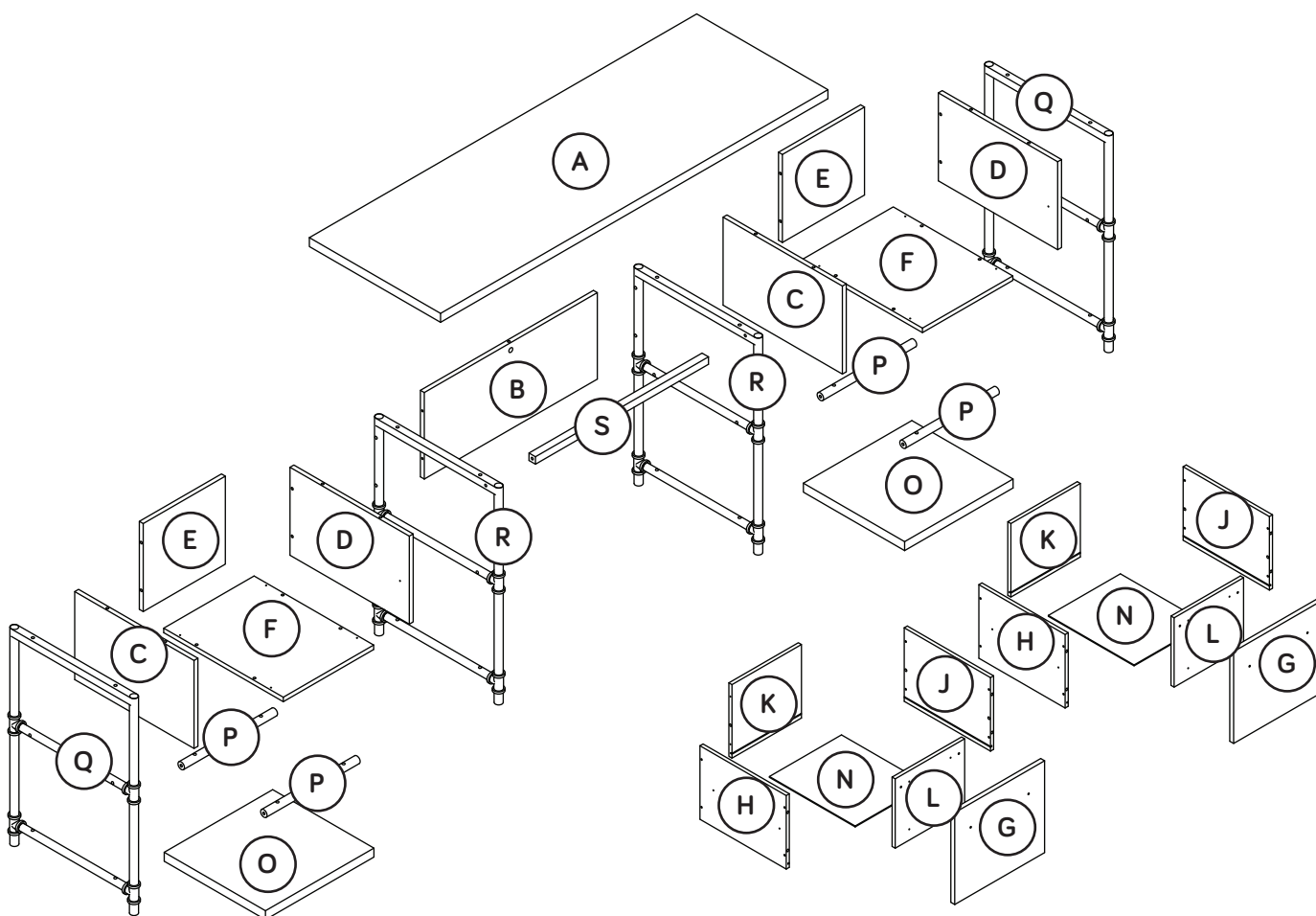
Part Identification

Now you know
our ABCs.



While not all parts are labeled, some of the parts will have a label or an inked letter on the edge to help distinguish similar parts from each other. Use this part identification to help identify similar parts.

A	TOP (1)	G	DRAWER FRONT (2)	O	BOTTOM (2)
B	MODESTY PANEL (1)	H	LEFT DRAWER SIDE (2)	P	SHORT BRACE (4)
C	LEFT END /UPRIGHT(2)	J	RIGHT DRAWER SIDE (2)	Q	END FRAME (2)
D	RIGHT END/UPRIGHT (2)	K	DRAWER BACK (2)	R	UPRIGHT FRAME (2)
E	BACK (2)	L	DRAWER BOX FRONT (2)	S	LONG BRACE (1)
F	CABINET BOTTOM (2)	N	DRAWER BOTTOM (2)		

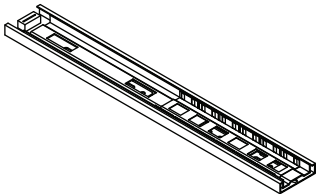


Hardware Identification

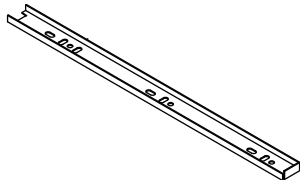
† Screws are shown actual size. You may receive extra hardware with your unit.

(EXTENSION SET SHOWN SEPARATED)

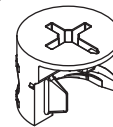
1 EXTENSION RAIL - 4



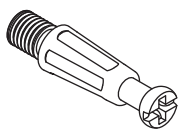
2 EXTENSION SLIDE - 4



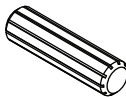
3 HIDDEN CAM - 1



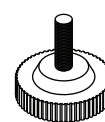
4 CAM SCREW - 1



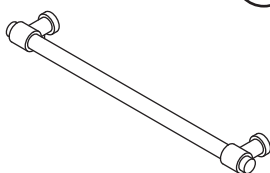
5 WOOD DOWEL - 40



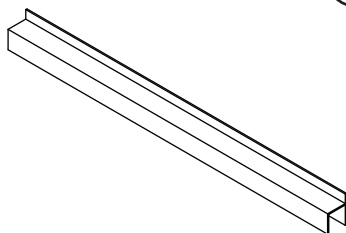
6 ADJUSTABLE GLIDE - 8



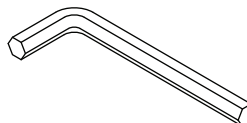
7 PULL - 2



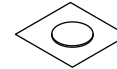
8 FILE GLIDE - 4



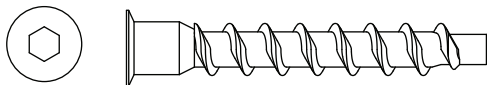
9 L-WRENCH - 1



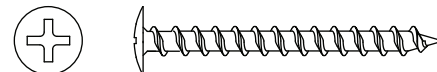
10 APPLIQUE CARD - 1



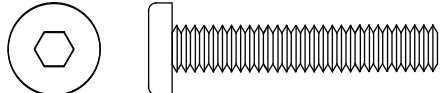
11 1-7/8" HEX HEAD SCREW - 4



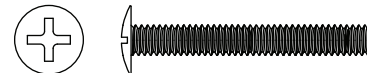
12 1-9/16" PAN HEAD SCREW - 8



13 1-3/8" HEX HEAD SCREW - 34



14 1-1/4" MACHINE SCREW - 4



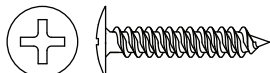
15 1-3/16" FLAT HEAD SCREW - 16



16 3/8" FLAT HEAD SCREW - 24

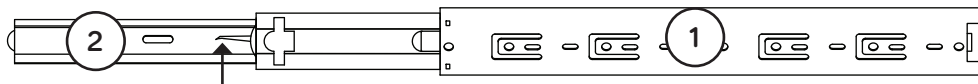


17 7/8" PAN HEAD SCREW - 8

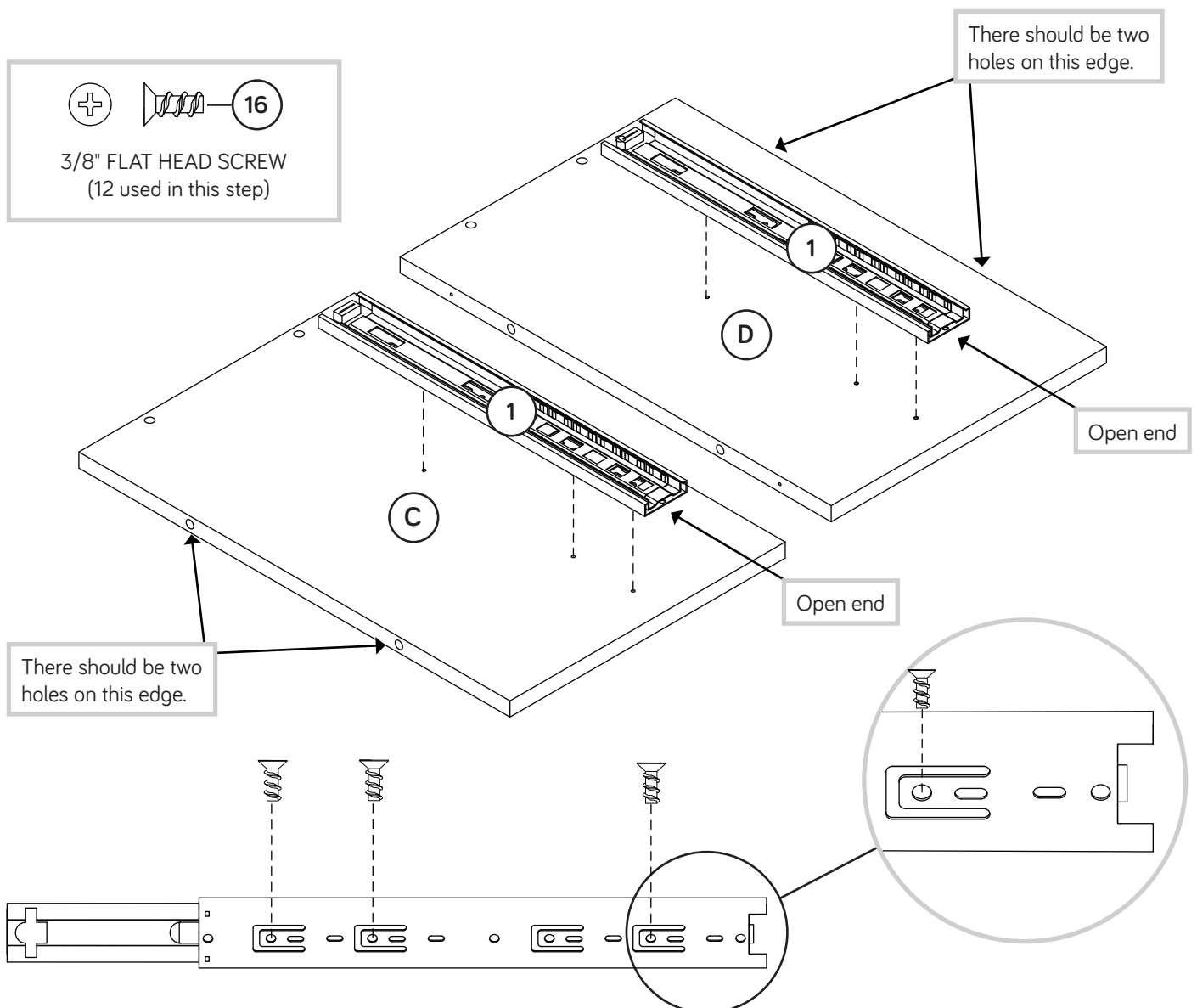
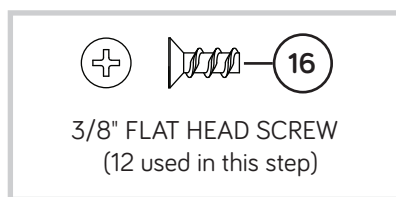


Step 1

- ✚ Assemble your unit on a carpeted floor or on the empty carton to avoid scratching your unit or the floor.
- ✚ Separate the EXTENSION SLIDES (2) from the EXTENSION RAILS (1) as shown in the upper diagram below. Be prepared, the parts are greasy.
- ✚ Fasten the EXTENSION RAILS (1) to the ENDS/UPRIGHTS (C and D). Use six 3/8" FLAT HEAD SCREWS (16).
- ✚ **NOTE:** For each EXTENSION RAIL, turn a SCREW into the hole shown in the enlarged diagram. Then, slide the inner cartridge of the EXTENSION RAIL in to find the other holes that lines up with the holes in the END./UPRIGHTS. Turn a SCREW into these holes.
- ✚ **NOTE:** The EXTENSION SLIDES (2) will be used later for the DRAWERS.
- ✚ Repeat this step.



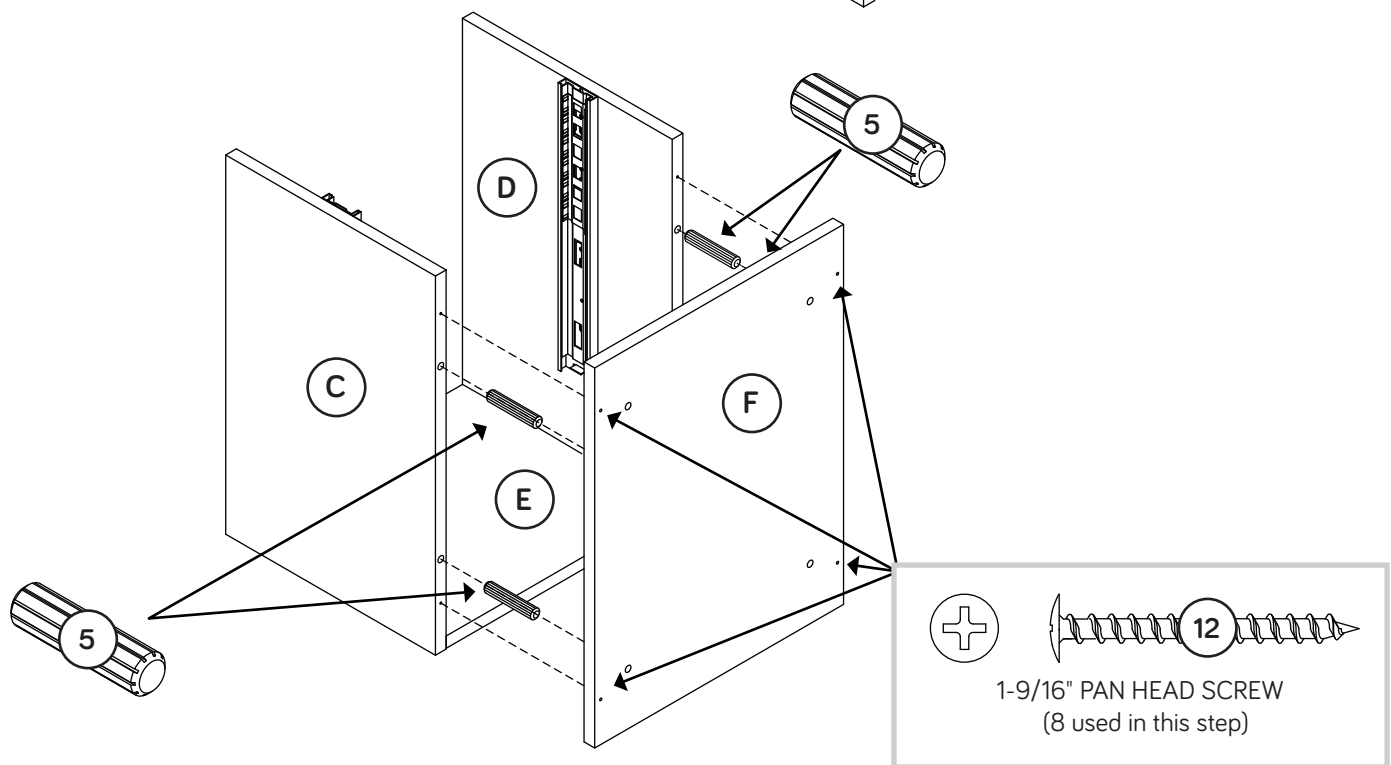
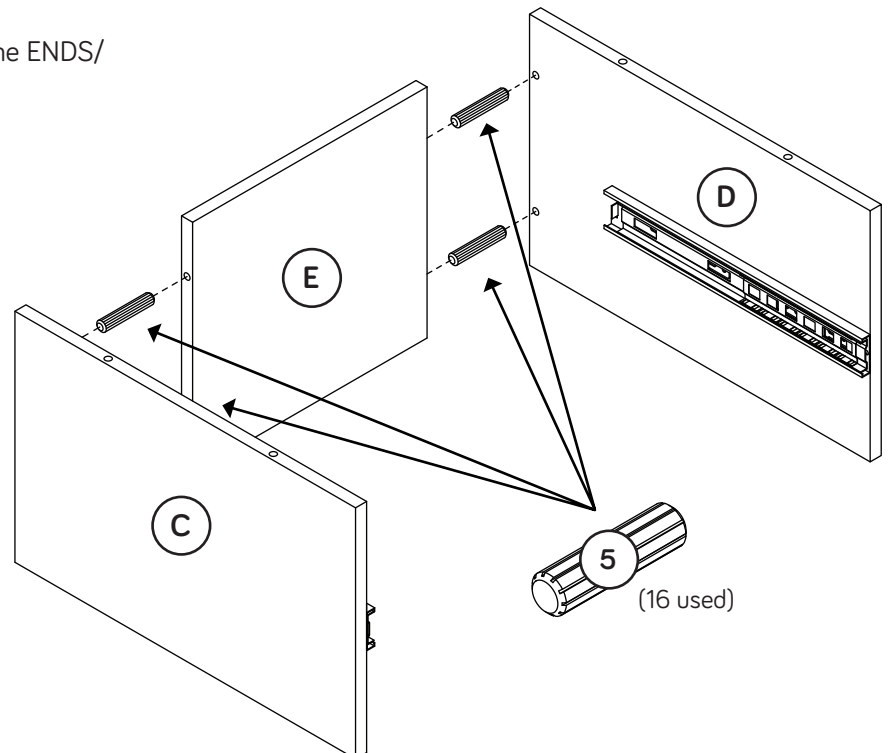
Pull the black lever down and pull the SLIDE from the RAIL.



Step 2

- ✚ Insert four WOOD DOWELS (5) into a BACK (E).
- ✚ Push a set of ENDS/UPRIGHTS (C and D) onto the WOOD DOWELS (5) in the BACK (E).
- ✚ Insert four WOOD DOWELS (5) into the edges of the END/UPRIGHTS (C and D).
- ✚ Turn the cabinet onto its back. Fasten a CABINET BOTTOM (F) to the END/UPRIGHTS (C and D). Use four 1-9/16" PAN HEAD SCREWS (12).
- ✚ NOTE: Be sure the WOOD DOWELS in the ENDS/UPRIGHTS insert into the BOTTOM (F).
- ✚ Repeat this step.

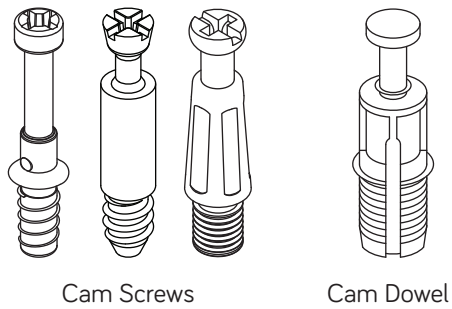
 Some assembly (and snacks) required.



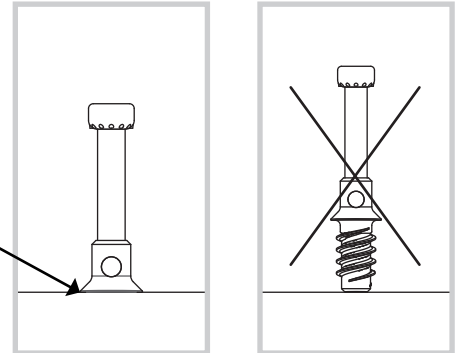
Hardware Usage Guide

HOW TO USE A HIDDEN CAM & CAM SCREW OR CAM DOWEL

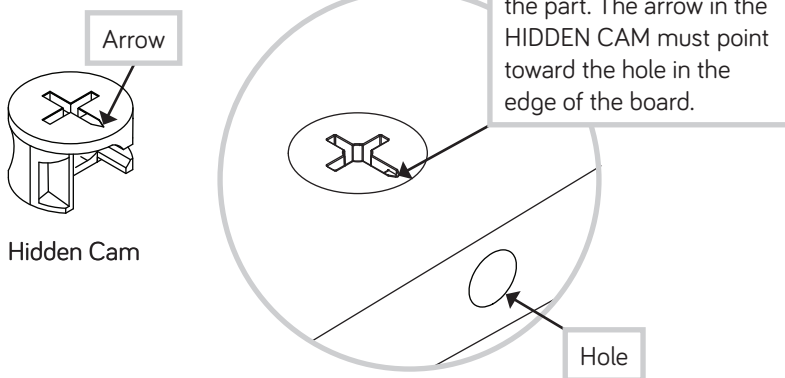
1. NOTE: Various CAM SCREWS or a CAM DOWEL may be used.



Turn the CAM SCREW or gently tap the CAM DOWEL until the shoulder is against the surface of the part.

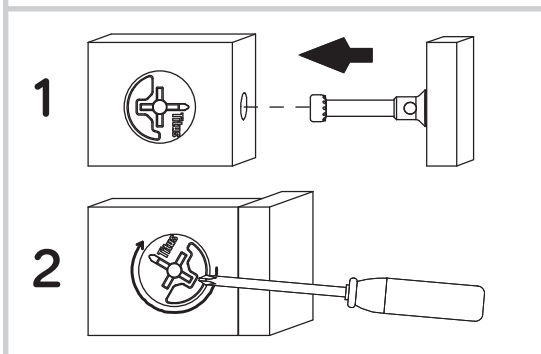


2.



3.

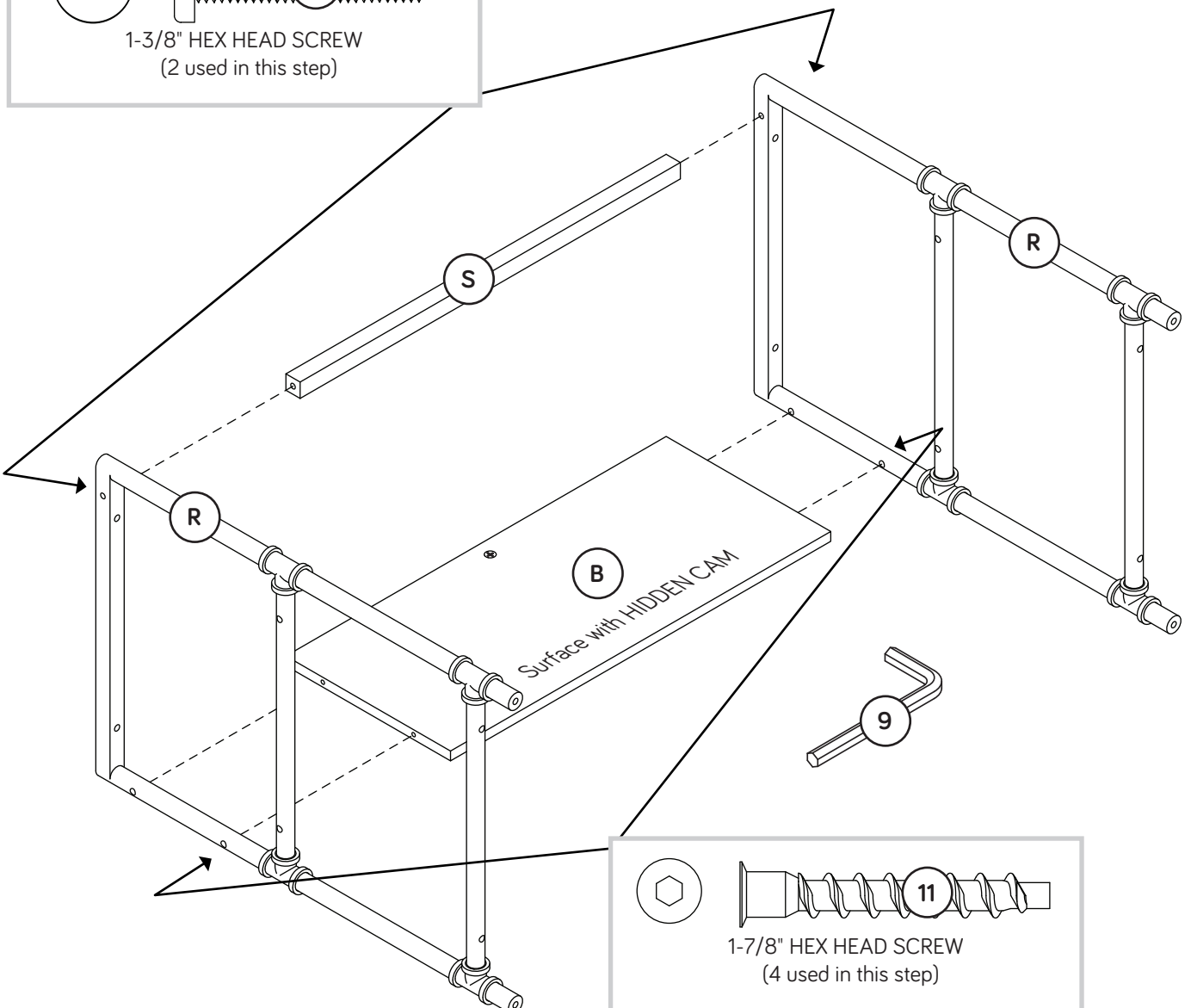
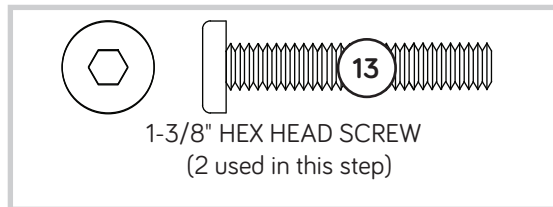
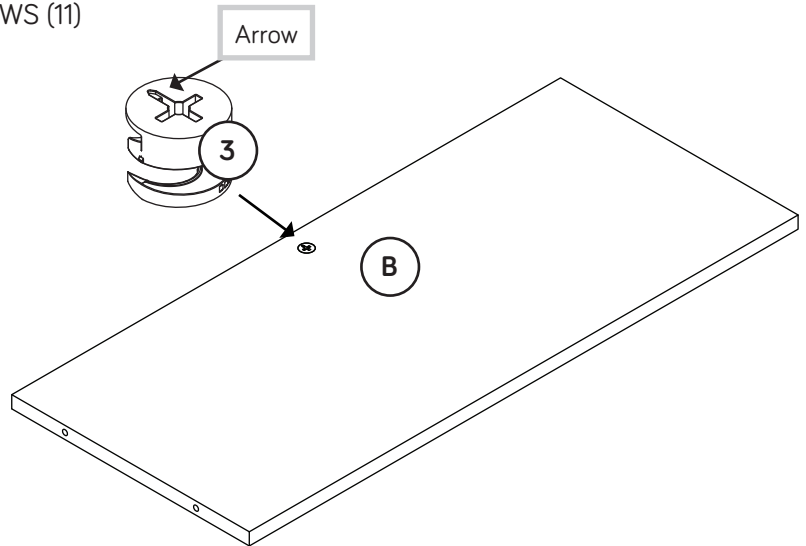
Insert the CAM SCREW or CAM DOWEL into the HIDDEN CAM. Tighten the HIDDEN CAM.



Step 3

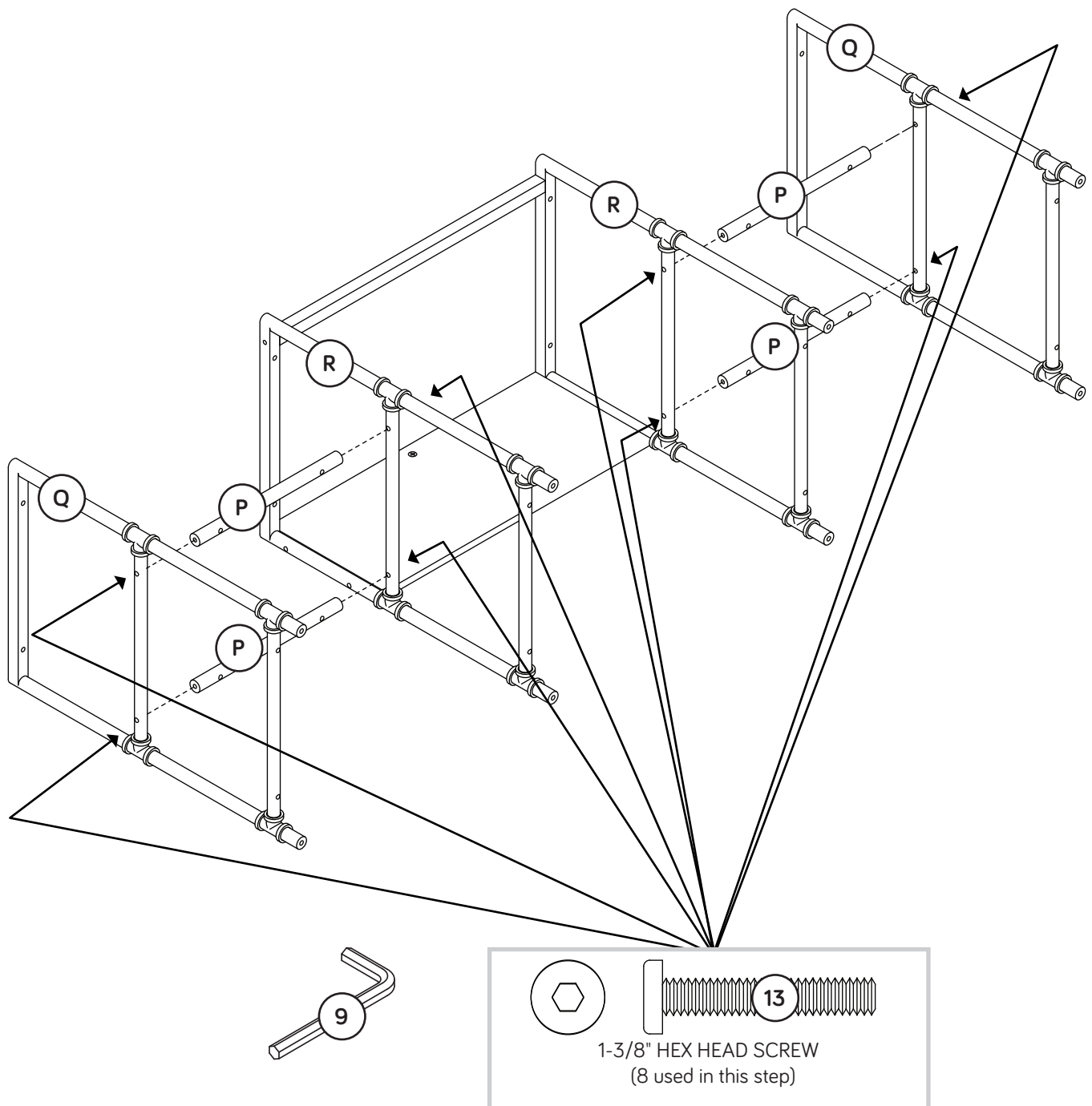
- Push a HIDDEN CAM (3) into the MODESTY PANEL (B).
- Fasten the UPRIGHT FRAMES (R) to the MODESTY PANEL (B). Tighten four 1-7/8" HEX HEAD SCREWS (11) using the L-WRENCH (9).
- Fasten the LONG BRACE (S) to the UPRIGHT FRAMES (R). Tighten two 1-3/8" HEX HEAD SCREWS (13) using the L-WRENCH (9).

Do not tighten the HIDDEN CAM in this step.



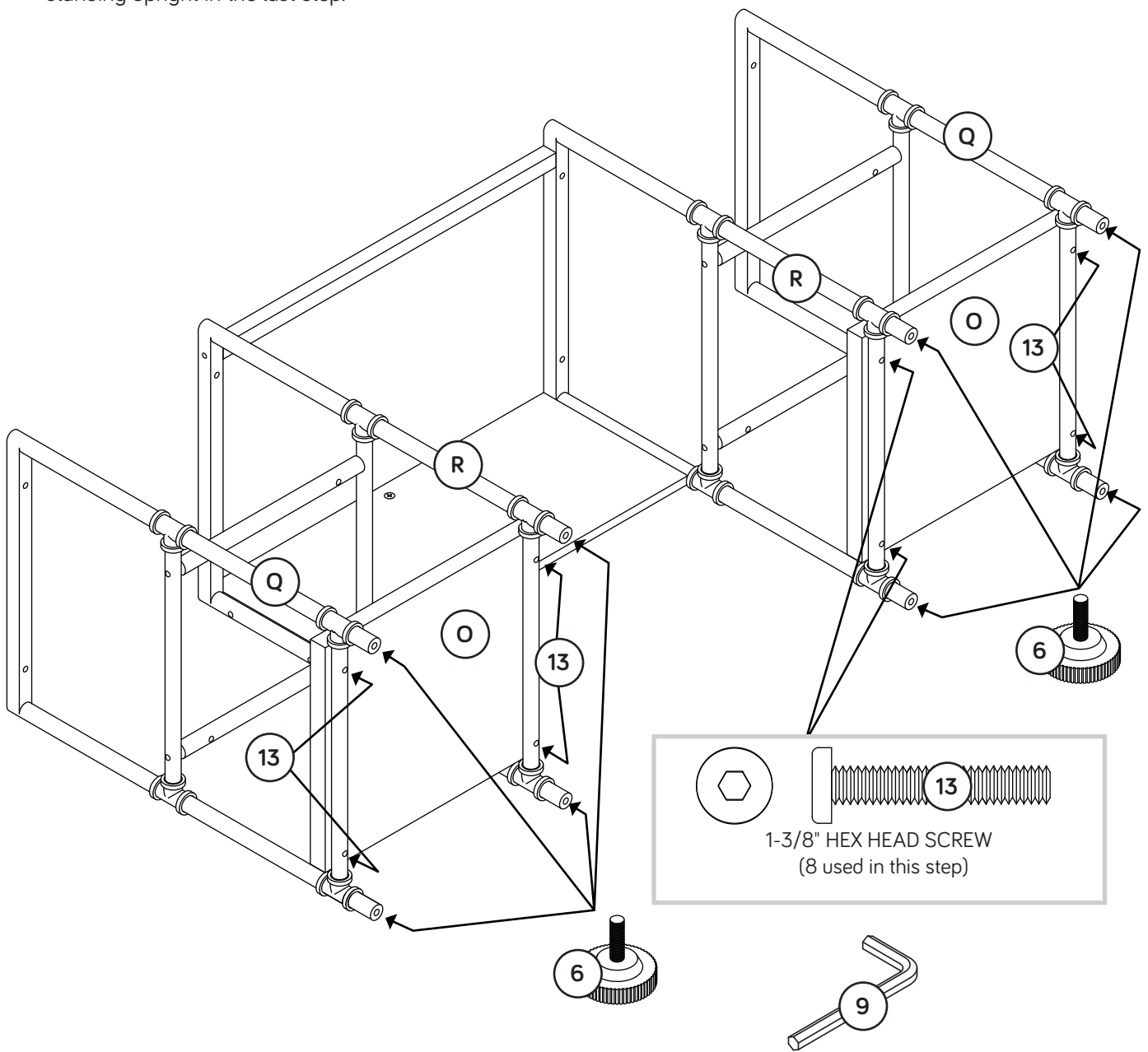
Step 4

- Fasten the SHORT BRACES (P) to the UPRIGHT FRAMES (R). Tighten four 1-3/8" HEX HEAD SCREWS (13) using the L-WRENCH (9).
- Fasten the END FRAMES (Q) to the SHORT BRACES (P). Tighten four 1-3/8" HEX HEAD SCREWS (13) using the L-WRENCH (9).
- NOTE:** Do not completely tighten the 1-3/8" HEX HEAD SCREWS at this time.



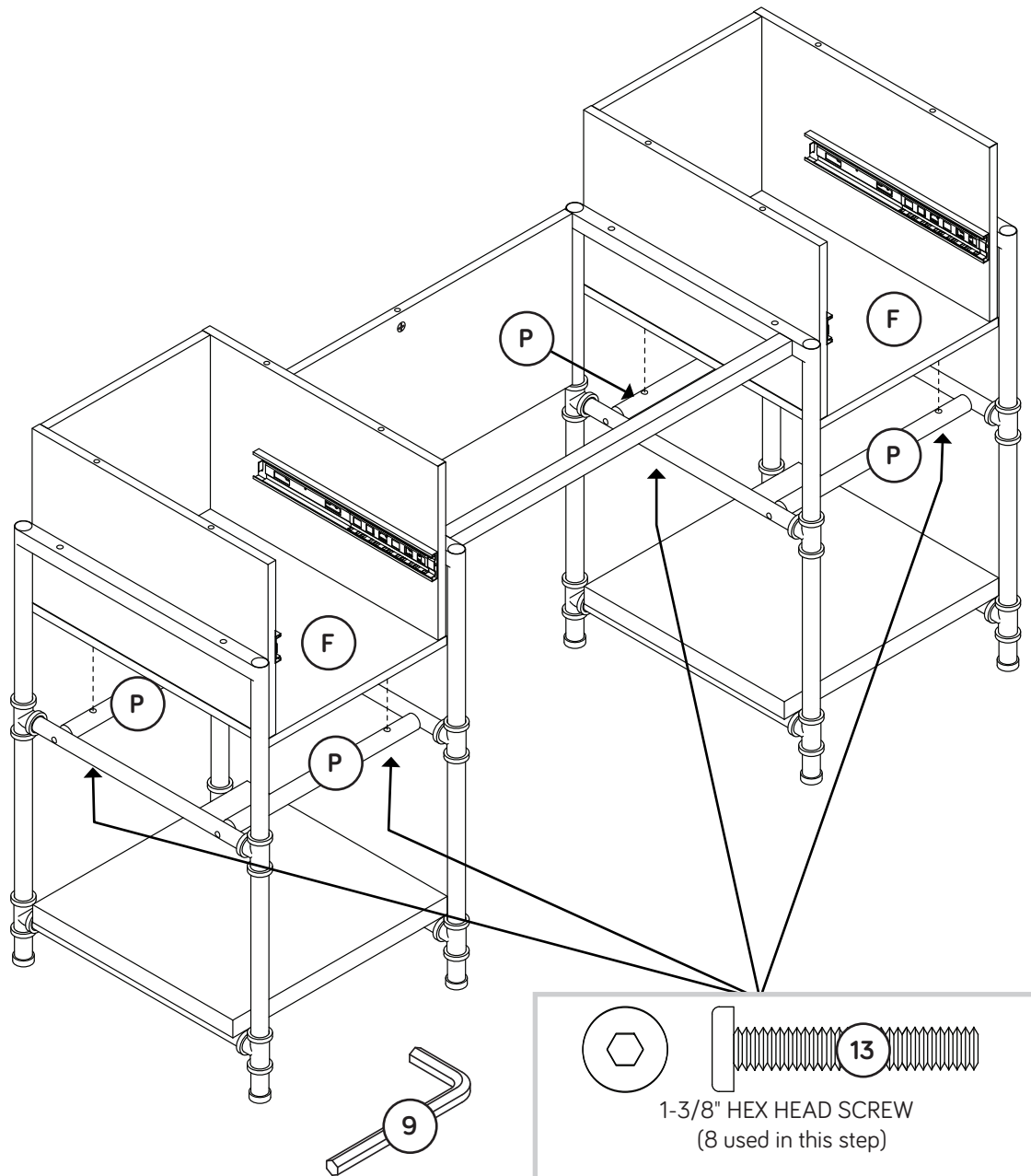
Step 5

- Fasten the BOTTOMS (O) to the UPRIGHT FRAMES (R) and END FRAMES (Q). Turn four 1-3/8" HEX HEAD SCREWS (13) using the L-WRENCH (9).
- NOTE:** Do not completely tighten the 1-3/8" HEX HEAD SCREWS at this time.
- Turn eight ADJUSTABLE GLIDES (6) completely into the UPRIGHT FRAMES (R) and the END FRAMES (Q).
- NOTE:** The ADJUSTABLE GLIDES are used to level your desk and will be adjusted after the unit is standing upright in the last step.



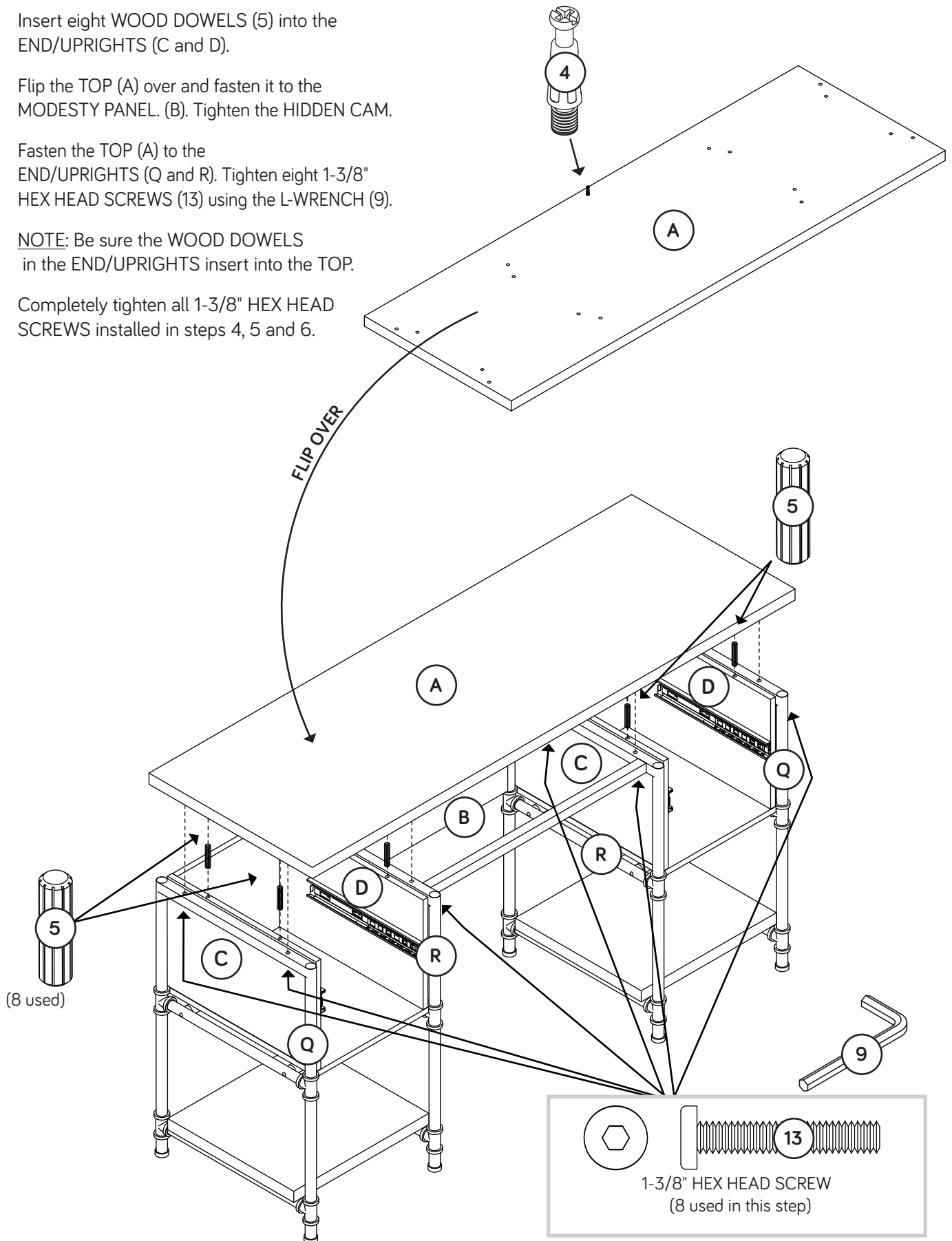
Step 6

- ✚ Stand your unit upright.
- ✚ Fasten the CABINET BOTTOMS (F) to the SHORT BRACES (P). Turn eight 1-3/8" HEX HEAD SCREWS (13) using the L-WRENCH (9).
- ✚ **NOTE:** Do not completely tighten the 1-3/8" HEX HEAD SCREWS at this time.



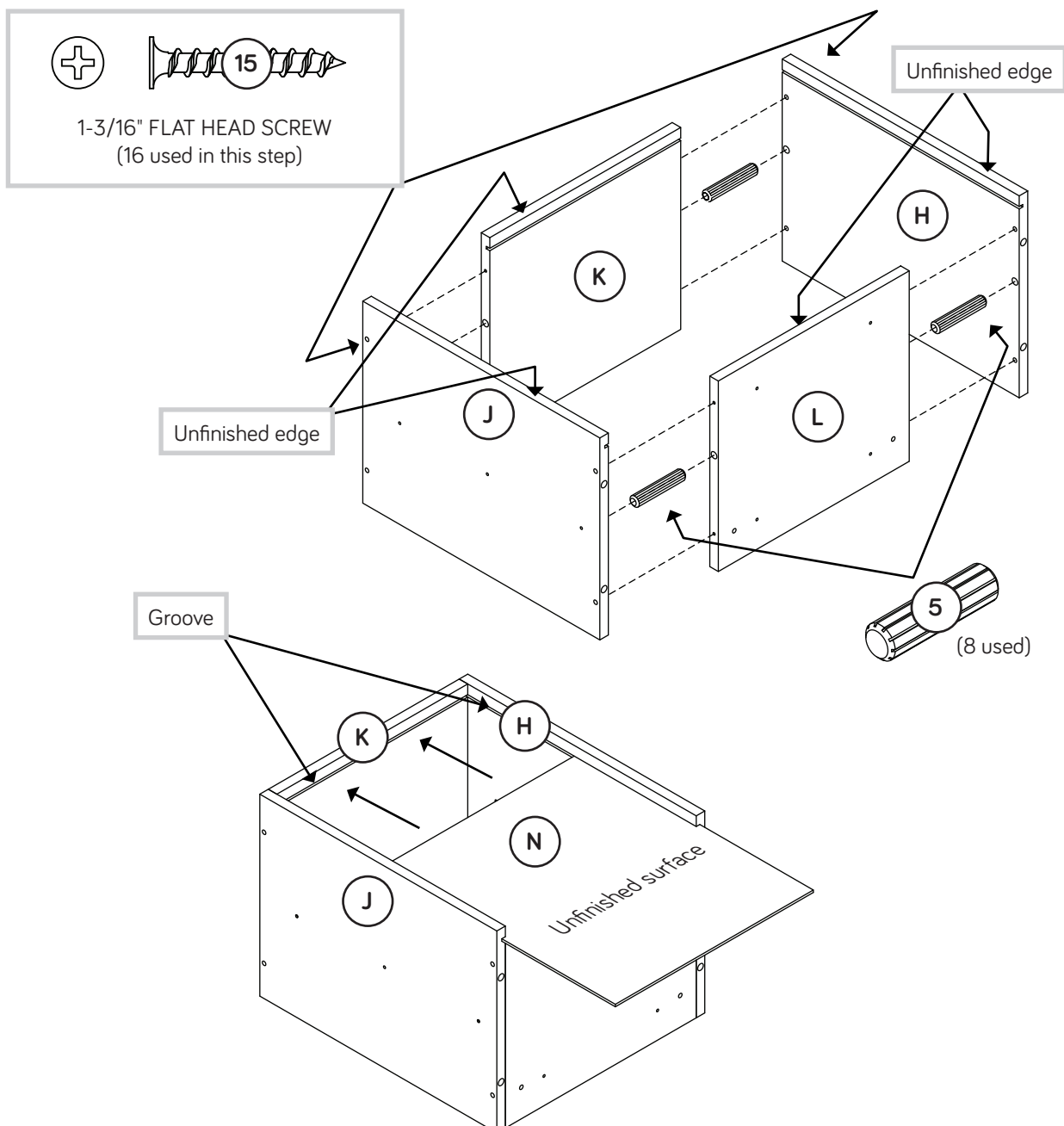
Step 7

- ✚ Turn a CAM SCREW (4) into the TOP (A).
- ✚ Insert eight WOOD DOWELS (5) into the END/UPRIGHTS (C and D).
- ✚ Flip the TOP (A) over and fasten it to the MODESTY PANEL. (B). Tighten the HIDDEN CAM.
- ✚ Fasten the TOP (A) to the END/UPRIGHTS (Q and R). Tighten eight 1-3/8" HEX HEAD SCREWS (13) using the L-WRENCH (9).
- ✚ **NOTE:** Be sure the WOOD DOWELS in the END/UPRIGHTS insert into the TOP.
- ✚ Completely tighten all 1-3/8" HEX HEAD SCREWS installed in steps 4, 5 and 6.



Step 8

- ✚ Insert four WOOD DOWELS (5) into a set of DRAWER SIDES (H and J).
- ✚ Fasten the DRAWER SIDES (H and J) to a DRAWER BACK (K) and a DRAWER BOX FRONT (L). Use eight 1-3/16" FLAT HEAD SCREWS (15).
- ✚ **NOTE:** Be sure the WOOD DOWELS in the DRAWER SIDES insert into the DRAWER BOX FRONT and DRAWER BACK.
- ✚ Slide the DRAWER BOTTOM (N) into the groove of the DRAWER SIDES (H and J) and DRAWER BACK (K).
- ✚ Repeat this step.



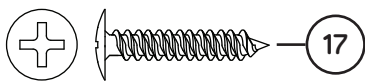
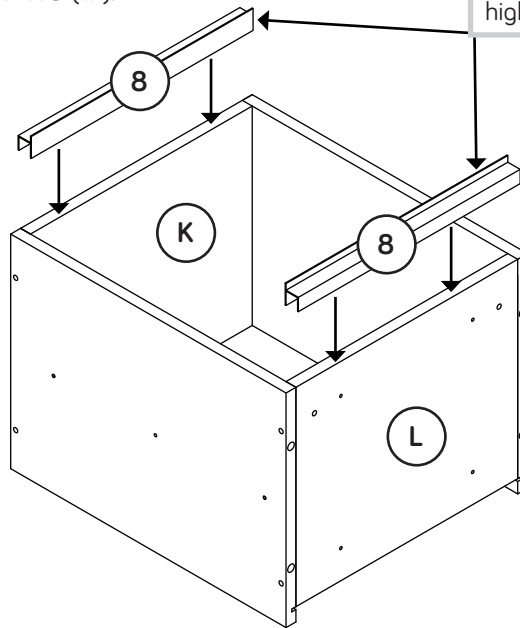
Step 9

- ✚ Flip the drawer over.
- ✚ Push a FILE GLIDE (8) onto the top edges of a BACK (K) and DRAWER BOX FRONT (L).
- ✚ Insert four WOOD DOWELS (5) into the edges of the DRAWER SIDES (H and J).
- ✚ Fasten a DRAWER FRONT (G) to the DRAWER BOX FRONT (L). Use four 7/8" PAN HEAD SCREWS (17).
- ✚ Repeat this step.

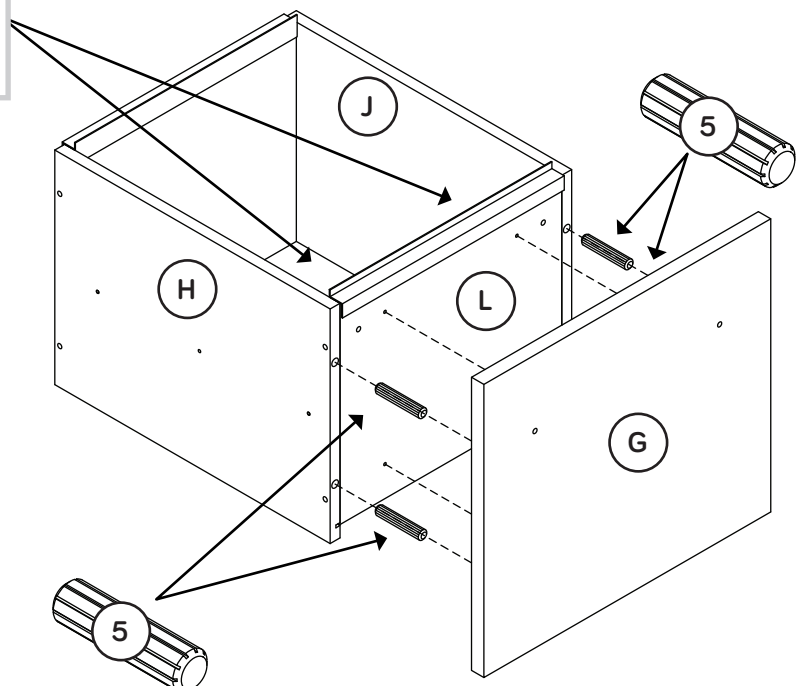


If you're doing this to help a friend, don't leave without a bite.

The flange should be higher on the inside.

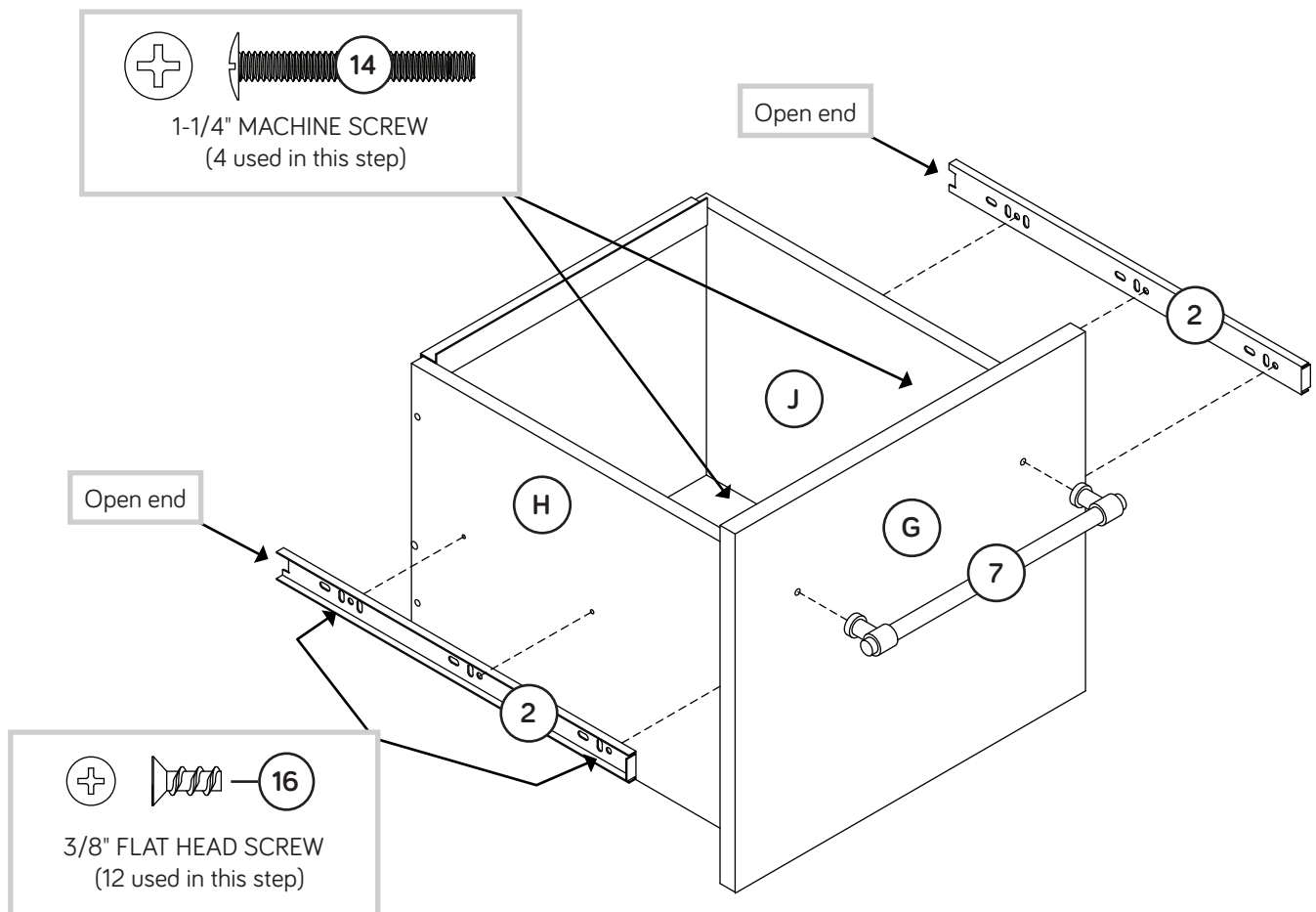


7/8" PAN HEAD SCREW
(8 used in this step)



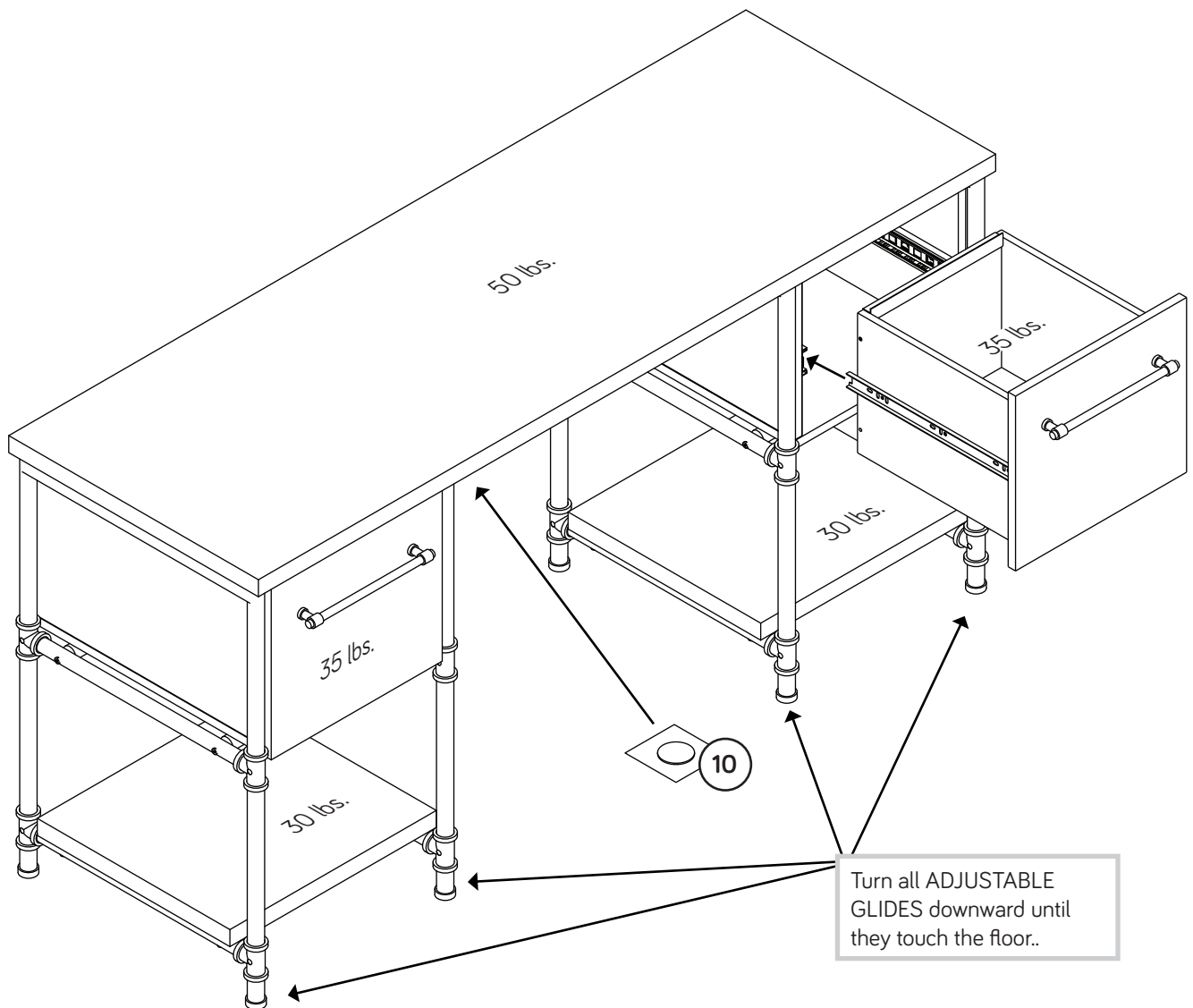
Step 10

- Fasten two EXTENSION SLIDES (2) to a set of DRAWER SIDES (H and J). Use six 3/8" FLAT HEAD SCREWS (16).
- Fasten a PULL (7) to a DRAWER FRONT (G). Use two 1-1/4" MACHINE SCREWS (14).
- Repeat this step.



Step 11

- ✦ To insert a drawer into your unit, line up the EXTENSION SLIDES on the drawer with the EXTENSION RAILS on the unit and push the drawer into the unit until the drawer is fully inserted. The drawer will push in hard until it is all the way in, then it will slide in and out easier.
- ✦ Peel the APPLIQUE from the APPLIQUE CARD (10) and stick it onto the HIDDEN CAM in the MODESTY PANEL.
- ✦ Place your desk in its final location. Turn all ADJUSTABLE GLIDES downward until they touch the floor.
- ✦ NOTE: Please read the back pages of the instruction booklet for important safety information.
- ✦ This completes assembly. Clean with a damp cloth. Wipe dry.



⚠ WARNING

Please use your furniture correctly and safely. Improper use can cause safety hazards, or damage to your furniture or household items. *Carefully read the following chart.*

Look out for:	What can happen:	How to avoid the problem:
<ul style="list-style-type: none">• Overloaded shelves or drawers.• Improper loading can cause the product to be top-heavy.	<ul style="list-style-type: none">• Risk of injury.• Top-heavy furniture can tip over.• Overloaded shelves and drawers can break.	<ul style="list-style-type: none">• Never exceed the weight limits shown in the instructions.• Work from bottom to top when loading shelves and drawers. Place the heavier items on the lower shelves or in lower drawers.
<ul style="list-style-type: none">• Improperly moving furniture that is not designed and equipped with casters.	<ul style="list-style-type: none">• Furniture can tip over or break if improperly moved.• Physical injury. Furniture can be very heavy.• Breakage of tops - particularly with double pedestal furniture (drawers at both ends).	<ul style="list-style-type: none">• Unload shelves and drawers from top to bottom before moving the unit.• Do not push furniture, especially on a carpeted floor. Have a friend help you lift the item and set it in place.• Provide support to the center section of the top when lifting the furniture.
<ul style="list-style-type: none">• Placing TVs on furniture items that are not designed to support a television is hazardous.	<ul style="list-style-type: none">• Risk of injury or death. TVs can be very heavy. Plus the weight and location of the picture tube tends to make TVs unbalanced and prone to tipping forward.	<ul style="list-style-type: none">• This product is not designed to support a television.