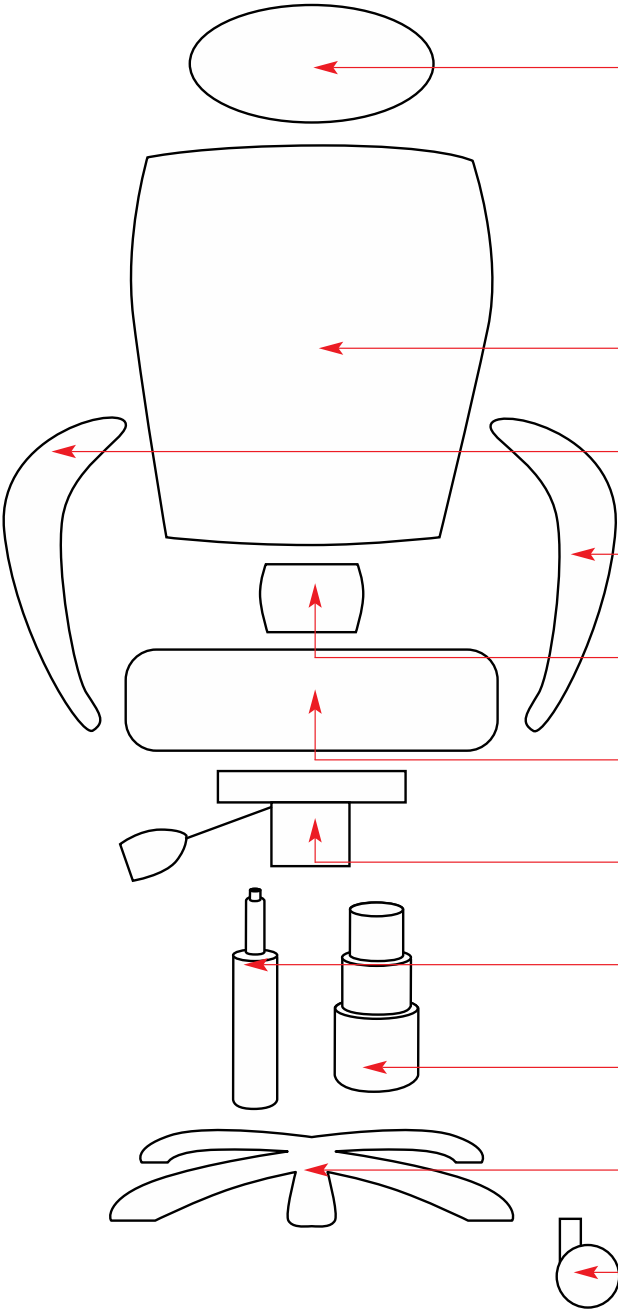


PRODUCT	MILAN FABRIC	6914
---------	--------------	------



HEADREST		N/A
BACKREST		Z257
ARM <i>RH when seated</i>	Z210 (PAIR OF ARMS)	
ARM <i>LH when seated</i>	Z210 (PAIR OF ARMS)	
BACK BRACKET/MECH		N/A
SEAT	Z256	MECHANISM SCREW DIMENSIONS IN CM 
MECHANISM	Z2310	
GAS LIFT	Z23	
TELESCOPE		Z35
FIVE STAR BASE		Z991
CASTORS		Z03

FIXINGS	M6*20 (mechanism) x4, M6*20 (arms) x8
---------	---------------------------------------

UNIQUE PARTS	
--------------	--

NOTES	
-------	--