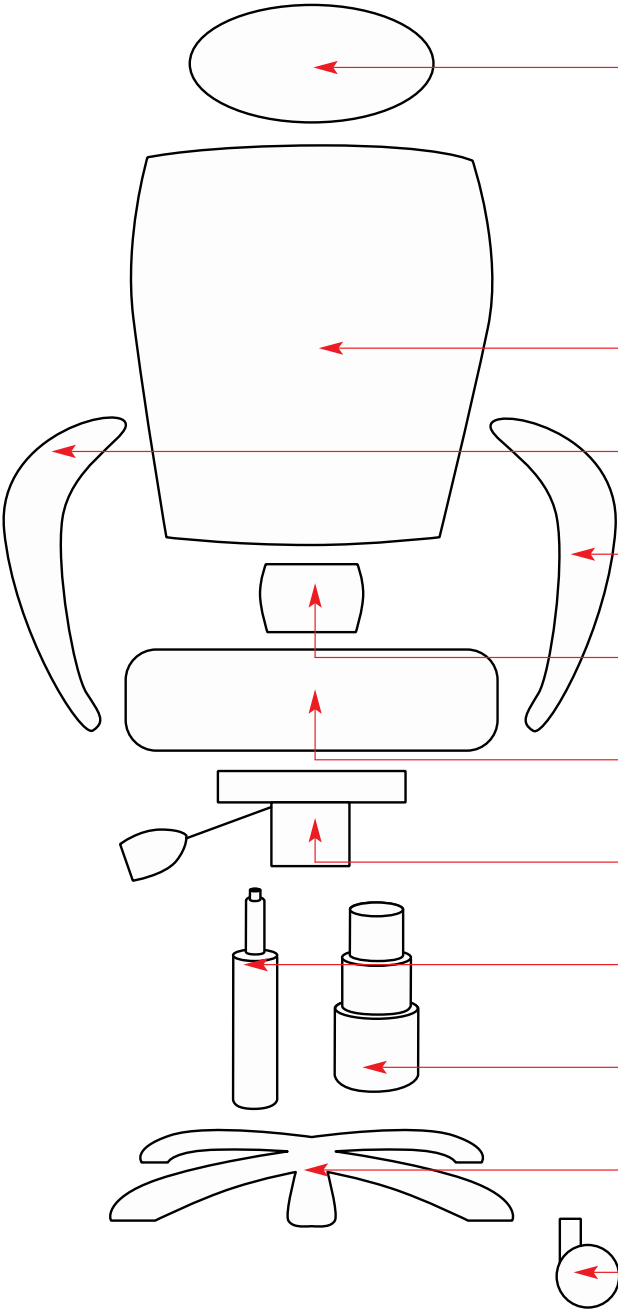
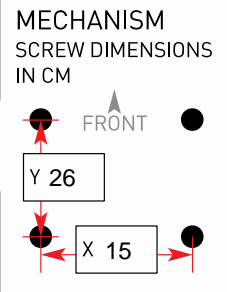


PRODUCT	MILAN EXEC	6914
---------	------------	------



HEADREST	N/A
BACKREST	Z257
ARM <i>RH when seated</i>	Z210 (PAIR OF ARMS)
ARM <i>LH when seated</i>	Z210 (PAIR OF ARMS)
BACK BRACKET/MECH	N/A
SEAT	Z256
MECHANISM	Z2310
GAS LIFT	Z23
TELESCOPE	Z35
FIVE STAR BASE	Z991
CASTORS	Z03



FIXINGS	M6*20 (mechanism) x4, M6*20 (arms) x8
---------	---------------------------------------

UNIQUE PARTS	
--------------	--

NOTES	
-------	--