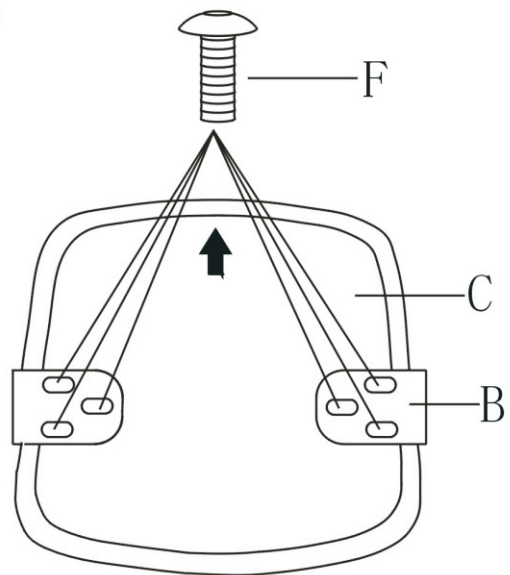


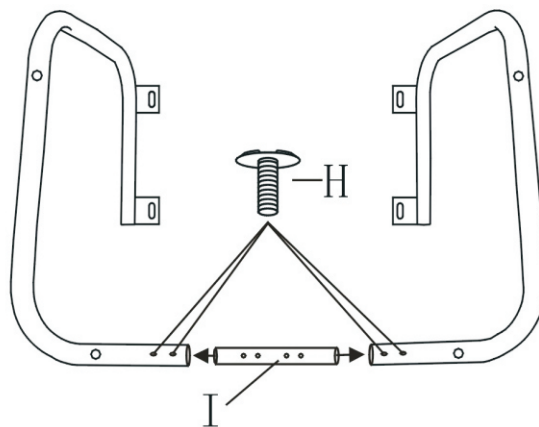
ASSEMBLY INSTRUCTIONS

F-1102

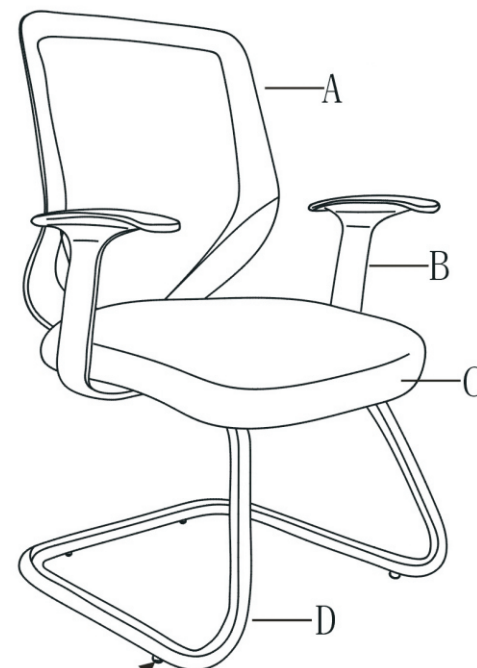
1



2

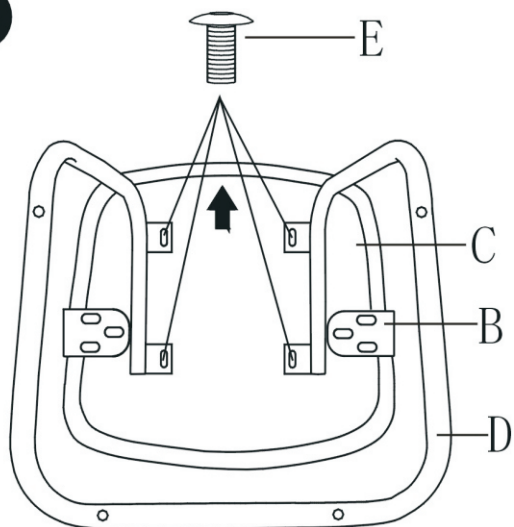


5

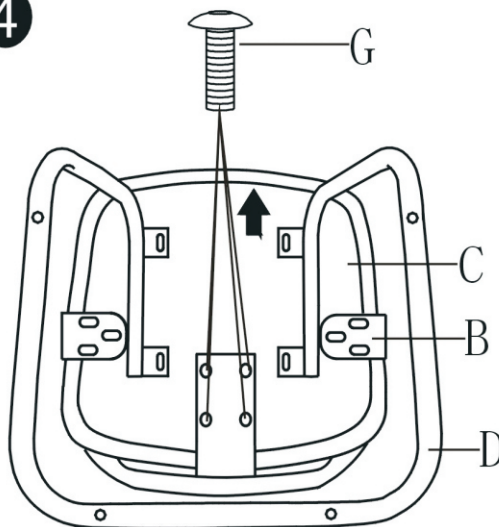


REMARK:
TO ADJUST GRADIENT OF
THE CHAIR BY FOUR SCREWS.

3



4

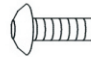


E 
M6*20MM /4PCS

G 
M6*25MM /4PCS

I 

J 
M5 /1PC

F 
M6*30MM /6PCS

H 
M6*16MM /4PCS

K 
M4 /1PC