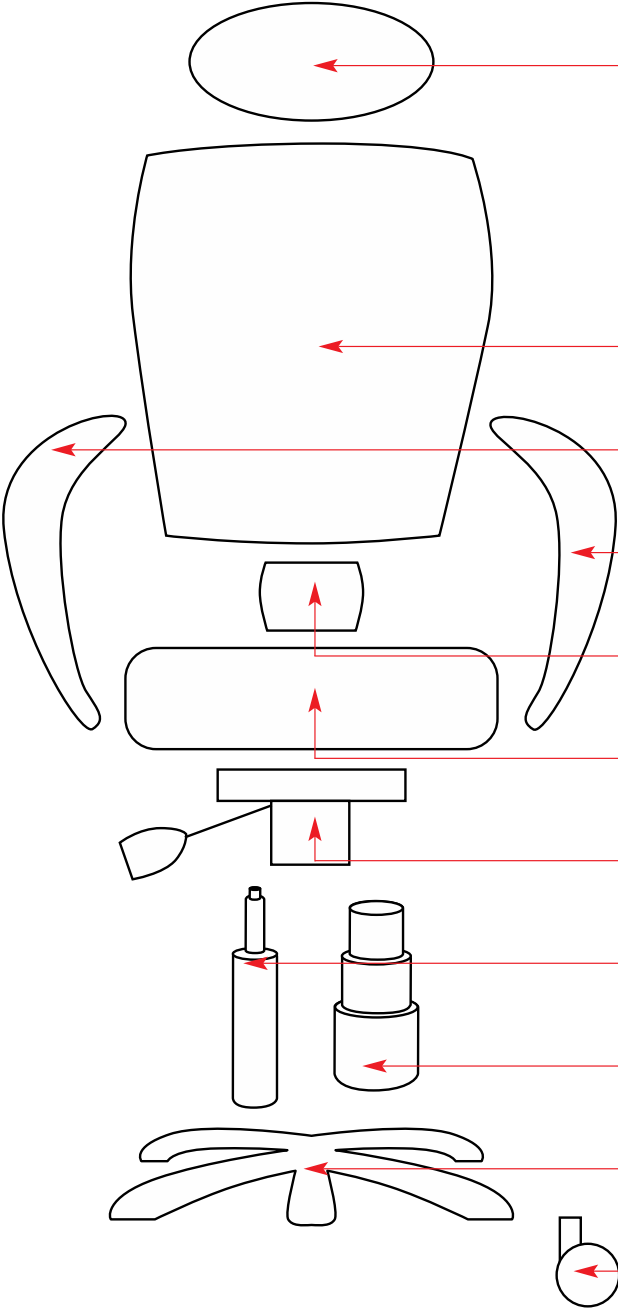


PRODUCT	PERCH STOOL	6926
---------	-------------	------



HEADREST		N/A
BACKREST		N/A
ARM <i>RH when seated</i>		N/A
ARM <i>LH when seated</i>		N/A
BACK BRACKET/MECH		N/A
SEAT	Z267	MECHANISM SCREW DIMENSIONS IN CM 
MECHANISM ATTACHED TO THE SEAT		
GAS LIFT	Z121	
TELESCOPE		N/A
FIVE STAR BASE		R530
CASTORS		Z08

FIXINGS	N/A
---------	-----

UNIQUE PARTS	
--------------	--

NOTES	
-------	--